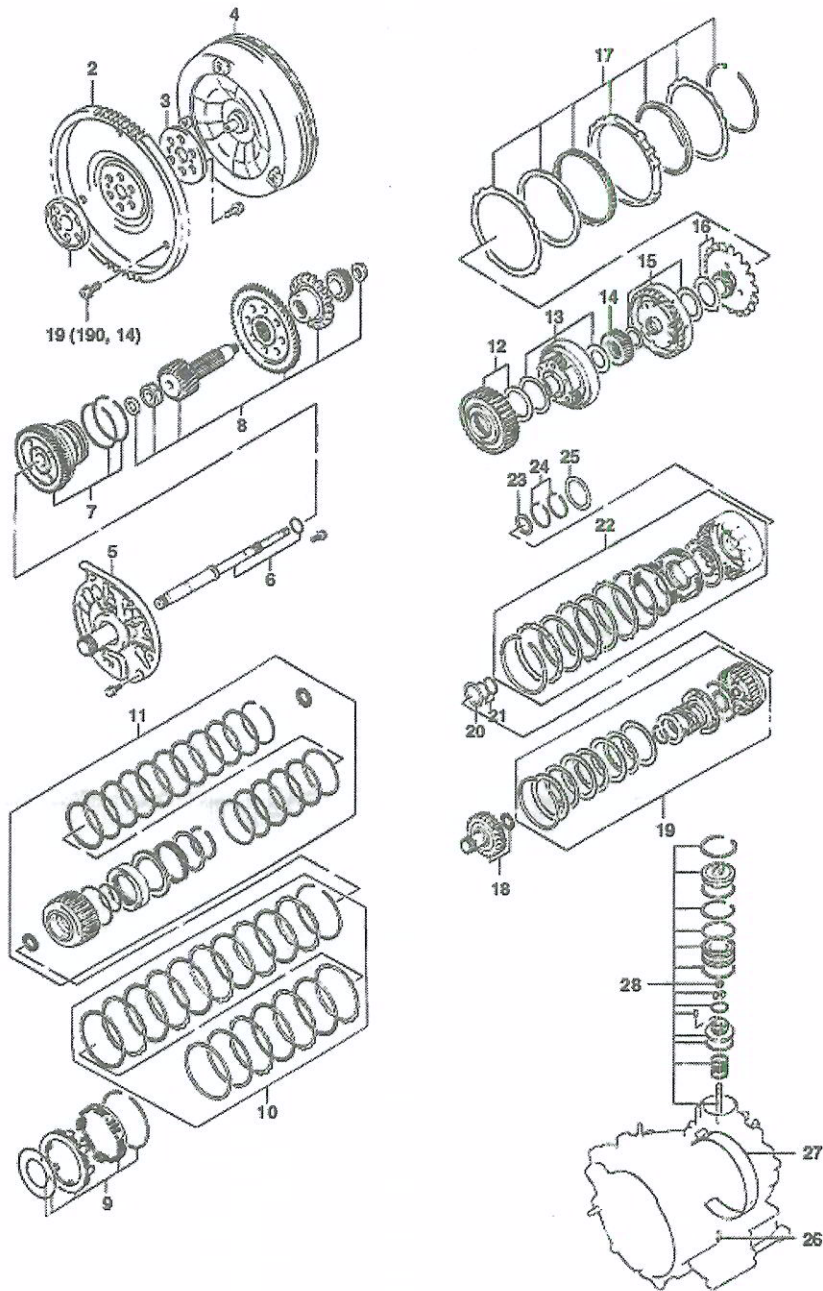


COMPONENTS EKTC0200



**TORQUE : Nm (kg-cm, lb-ft)**