

## 6. ILLUSTRATED PARTS CATALOG

### TABLE OF CONTENTS

FIGURE		PAGE
6.1	COALESCENT FILTER INSTALLATION .....	6-3
6.2	REGULATOR INSTALLATION .....	6-4
6.3	COMPUVALVE INSTALLATION .....	6-6
6.4	FUEL HOSE, FILTER AND NOZZLE INSTALLATION.....	6-8
6.5	COOLANT HOSE INSTALLATION.....	6-10
6.6	MAP TAKEOFF AND AIR BREATHER .....	6-11
6.7	MAIN WIRING HARNESS - GFI I.....	6-12
6.8	MAIN WIRING HARNESS - GFI II .....	6-14
6.9	FUSE AND RELAY MODULE .....	6-16
6.10	AUXILIARY RELAY HARNESS .....	6-18
6.11	ELECTRICAL COMPONENTS AND SENSORS .....	6-19
6.12	HIGH PRESSURE LINE HARDWARE .....	6-20
6.13	TANK VALVE INSTALLATION.....	6-22
6.14	BULK ITEMS .....	6-24
6.15	SPECIAL SPARES.....	6-25
6.16	SPECIAL TOOLS .....	6-26
6.17	LABELS .....	6-28
6.18	INDEX BY DESCRIPTION .....	6-30
6.19	INDEX BY PART NUMBER .....	6-32

**HOW TO USE THIS ILLUSTRATED PARTS CATALOG**

This Illustrated Parts Catalog has been prepared as a detailed parts guide for the GFI Natural Gas system. The information in this section is presented in a generic form and is intended only for parts illustration. For actual service/installation, refer to the appropriate service section of this manual.

**WARNING:** *The parts listed in this manual have passed a variety of tests and certifications. These parts are AGA certified. Substitutions are not permitted and can void all GFI warranties. Unapproved parts can create hazardous conditions for the servicing technician and vehicle operator.*

All replaceable items in the GFI installation are detailed on illustrations throughout this section. The index numbers on the illustration are keyed to each accompanying parts list. The purpose of the index numbers is to provide complete and positive identification of the article, but should not be used for procurement purposes.

There are 3 distinct types of figure designations in this section: *Installations* are used to identify assemblies and components related by application such as attaching hardware. These items must be individually ordered - there is no single part number that includes all parts shown (example: Figure 6.2, Regulator Installation). *Assemblies* are part listings that are inclusive of all parts described - when the main assembly is ordered, the sub components are included as part of the order (example: Figure 6.9, Fuse and Relay Module). The third type of figure is a *Listing* that contains similar but unrelated parts. Each part must be separately ordered (example: Figure 6.17, Labels).

This manual uses the indented parts structure. In the descriptive column, relationship of items covered is shown by the degree of indentation of each item, for example: In Figure 6.2, the Regulator Assembly is listed with one indentation, the Connector is indented under the Regulator Assembly to indicate that the Connector is a sub-component of the Regulator Assembly.

Sample of form:

Index	Part Number	Description	Qty.	Notes
1	XN-NNN	ASSEMBLY NAME	1	
2	XN-NNN	SUB-COMPONENT NAME	1	
3	XN-NNN	SUB-COMPONENT NAME	3	

**INDEX -** Identifies Part from Illustration

**DESCRIPTION -** Gives Part Name and relationship in assembly

**NOTES -** Directs user to extra information when ordering

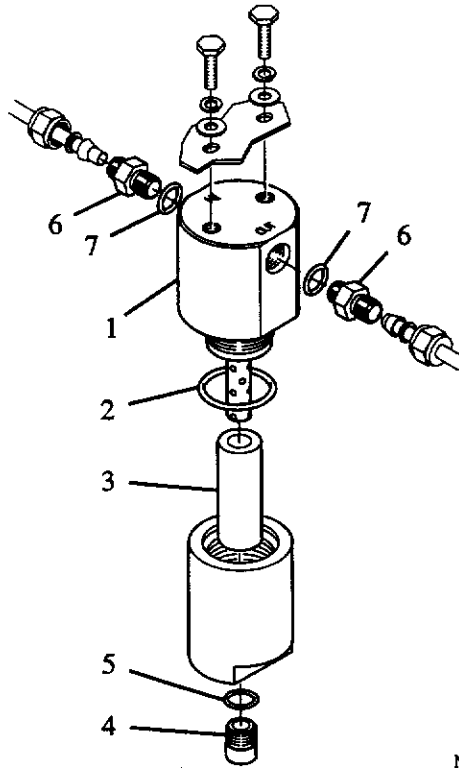
**PART NUMBER -** Gives part number to be used for procurement

**QUANTITY -** Gives quantity required for assembly (see notes about attaching hardware)

Attaching parts are listed immediately beneath the item to be attached and preceding any detail parts of the item. They are listed with the same indentation as the item they attach and are preceded by the caption "Attaching Parts" and concluded with "—\*—". The quantity listed for attaching parts denotes the quantity necessary to attach one part. Total quantity to attach more than one part is obtained by multiplying the given quantity by the number of parts to be attached.

Parts can be ordered from: GFI Control Systems, Inc.  
100 Hollinger Crescent  
Kitchener, Ontario N2K 2Z3  
Tel: 1-800-667-4275 ♦ FAX: 519-576-4010

6.1 COALESCENT FILTER INSTALLATION



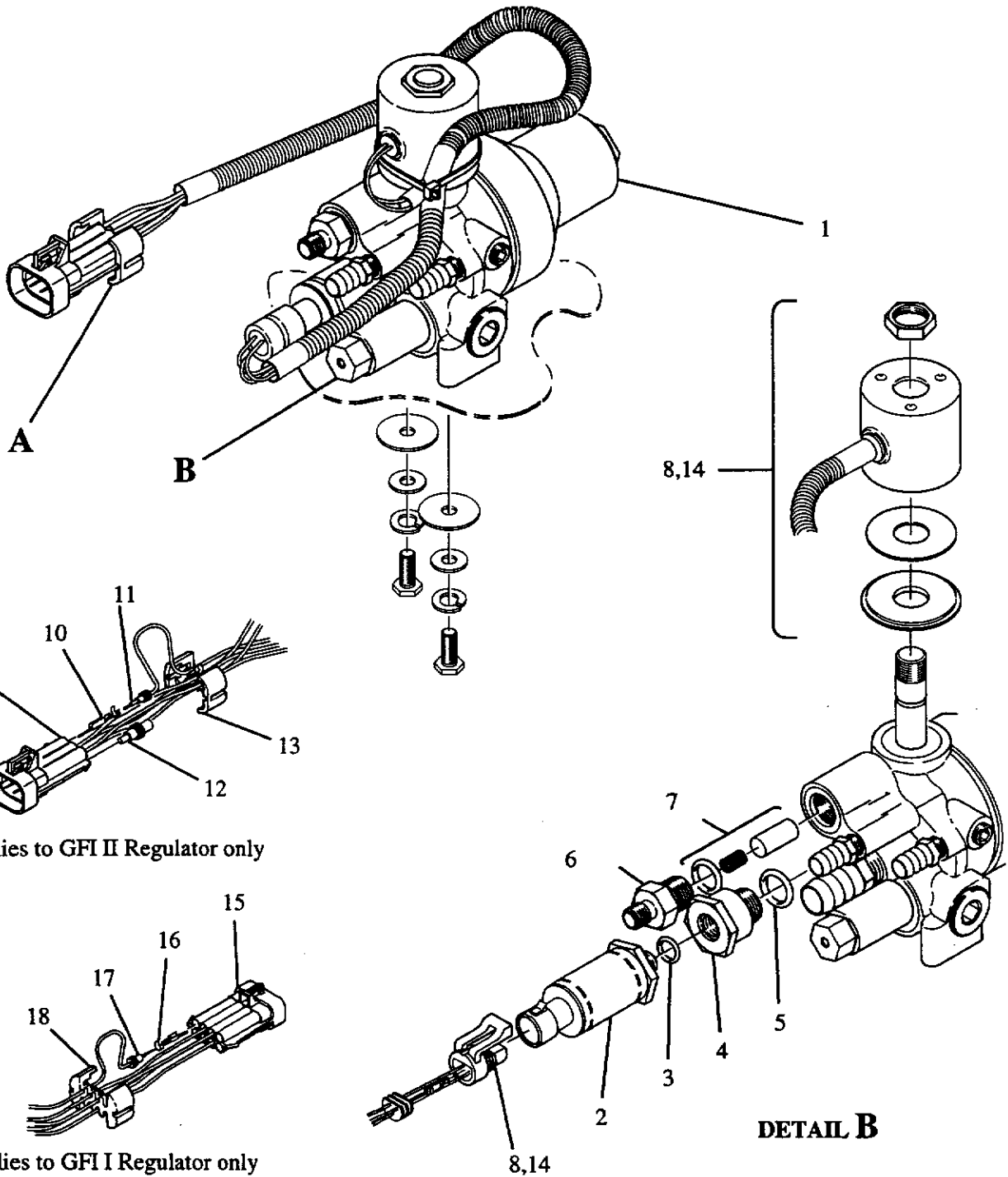
NG038

Index	Part Number	Description	Qty.	Notes
		<b>COALESCENT FILTER INSTALLATION</b>		
1	A1-412	FILTER, COALESCING SMALL CAPACITY	1	1
2	A2-180	SEAL, O-RING	1	
3	A1-413	FILTER, REPLACEMENT ELEMENT	1	
4	A2-181	PLUG, DRAIN	1	
5	A2-192	SEAL, O-RING	1	
6	A00136	FITTING, ADAPTER 1/4"	2	
	A00144	FITTING, ADAPTER 3/8"	A/R	
7	A00146	SEAL, O-RING	2	

NOTES:

1. NUTS AND FERRULES ARE FURNISHED WITH FITTINGS. REFER TO FIG. 6.12 FOR SPARE FERRULES AND NUTS.

6.2 REGULATOR INSTALLATION



Applies to GFI II Regulator only

Applies to GFI I Regulator only

DETAIL A

DETAIL B

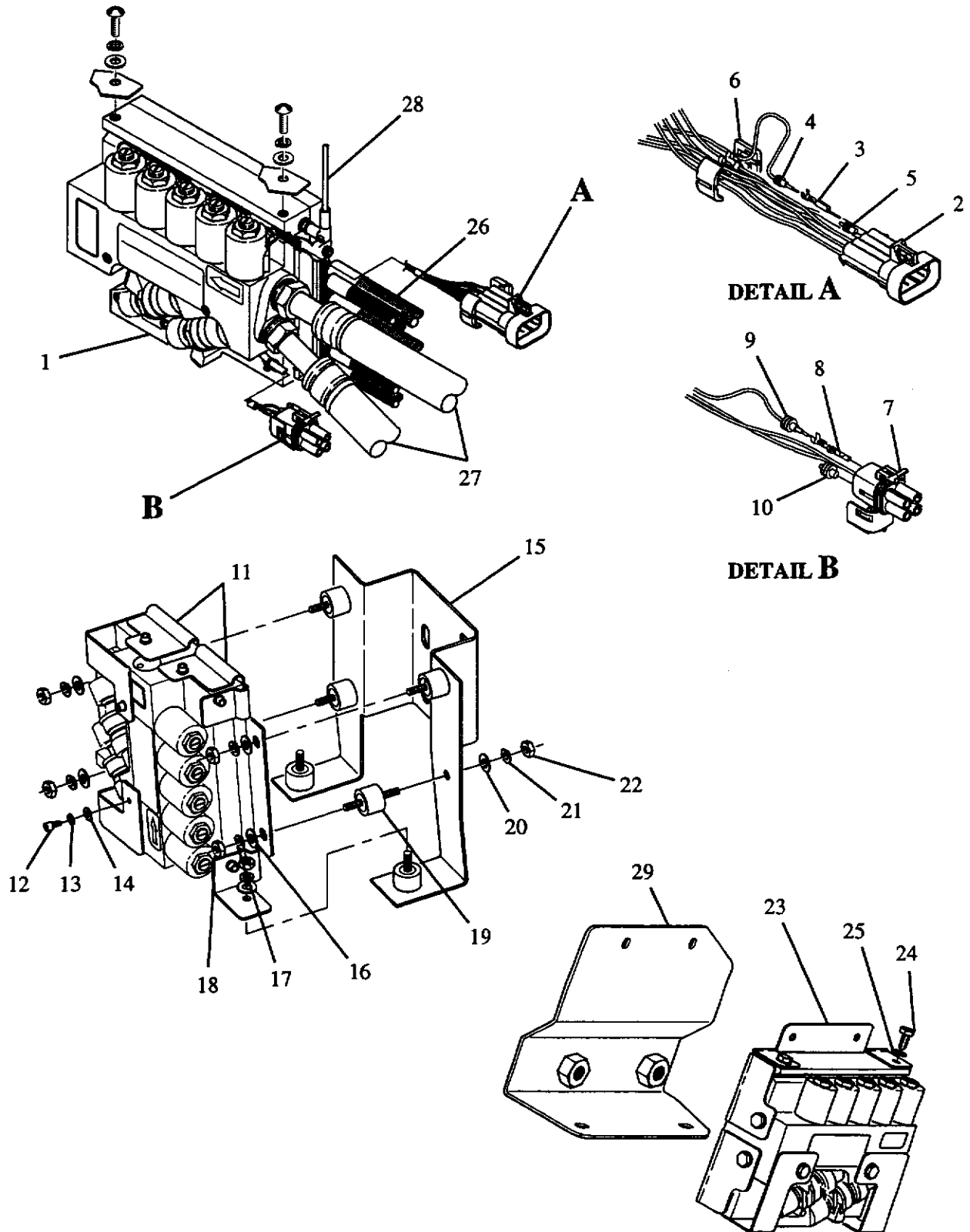
NG029

Index	Part Number	Description	Qty.	Notes
		<b>REGULATOR INSTALLATION</b>	NP	
1	P32-100	REGULATOR STANDARD	1	1
	P41-100	REGULATOR HEAVY DUTY	1	3
	P1-900	REGULATOR GFI I REMAN	1	
2	P1-124P	SENSOR, FSP	1	
3	A00437	SEAL, O-RING	1	
4	A00130	ADAPTER, FSP	1	
5	A00140	SEAL, O-RING	1	
6	A00136	FITTING, HIGH PRESSURE FUEL 1/4"	1	1, 3
	A00144	FITTING, HIGH PRESSURE FUEL 3/8"	A/R	1, 3
7	NG-132	KIT, FILTER REPLACEMENT 1/4" TUBE P32-100	1	2
		SEAL, O-RING	1	
		SPRING	1	
		FILTER, FUEL 40 MICRON	1	
	NG-134	KIT, FILTER REPLACEMENT 3/8" TUBE P32-100	1	1, 2
		SEAL, O-RING	1	
		SPRING	1	
		FILTER, FUEL 40 MICRON	1	
	NG-254	KIT, FILTER REPLACEMENT 1/4" TUBE P41-100	1	2, 3
		SEAL, O-RING	1	
		SPRING	1	
		FILTER, FUEL 40 MICRON	1	
	NG-255	KIT, FILTER REPLACEMENT 3/8" TUBE P41-100	1	2, 3
		SEAL, O-RING	1	
		SPRING	1	
		FILTER, FUEL 40 MICRON	1	
8	R1-115	KIT, HPS COIL REPLACEMENT FOR P41-100 & P32-100	1	
9	A00565	CONNECTOR, 6 WAY MALE	1	
10	A00087	TERMINAL, WIRE MALE	5	
11	A00482	SEAL, WIRE WHITE	5	
12	A00431	PLUG, CAVITY RED	1	
13	A00545	LOCK, SECONDARY, 6 WAY	1	
14	R1-116	KIT, HPS COIL REPLACEMENT FOR P1-900	1	
15	N12052480	CONNECTOR, 5 WAY MALE	1	
16	N12045773	TERMINAL, WIRE MALE	5	
17	N12015899	SEAL, WIRE RED	5	
18	N12066304	LOCK SECONDARY	1	

**NOTES:**

1. STANDARD REGULATOR IS FURNISHED WITH 1/4" TUBE FITTING (A00136); FOR 3/8" TUBE, TECHNICIAN MUST REPLACE EXISTING FITTING WITH 3/8" TUBE FITTING (A00144) AND FILTER KIT (NG-134). THESE ITEMS MUST BE ORDERED SEPERATELY.
2. FILTER REPLACEMENT KITS ARE NOT INTERCHANGABLE. USE KIT FOR REGULATOR SPECIFIED.
3. HEAVY DUTY REGULATOR IS FURNISHED WITH 3/8" TUBE FITTING (A00144); FOR 1/4" TUBE, TECHNICIAN MUST REPLACE EXISING FITTING WITH 1/4" TUBE FITTING (A00136) AND FILTER KIT (NG-254). THESE ITEMS MUST BE ORDERED SEPERATELY.

6.3 COMPUVALVE INSTALLATION



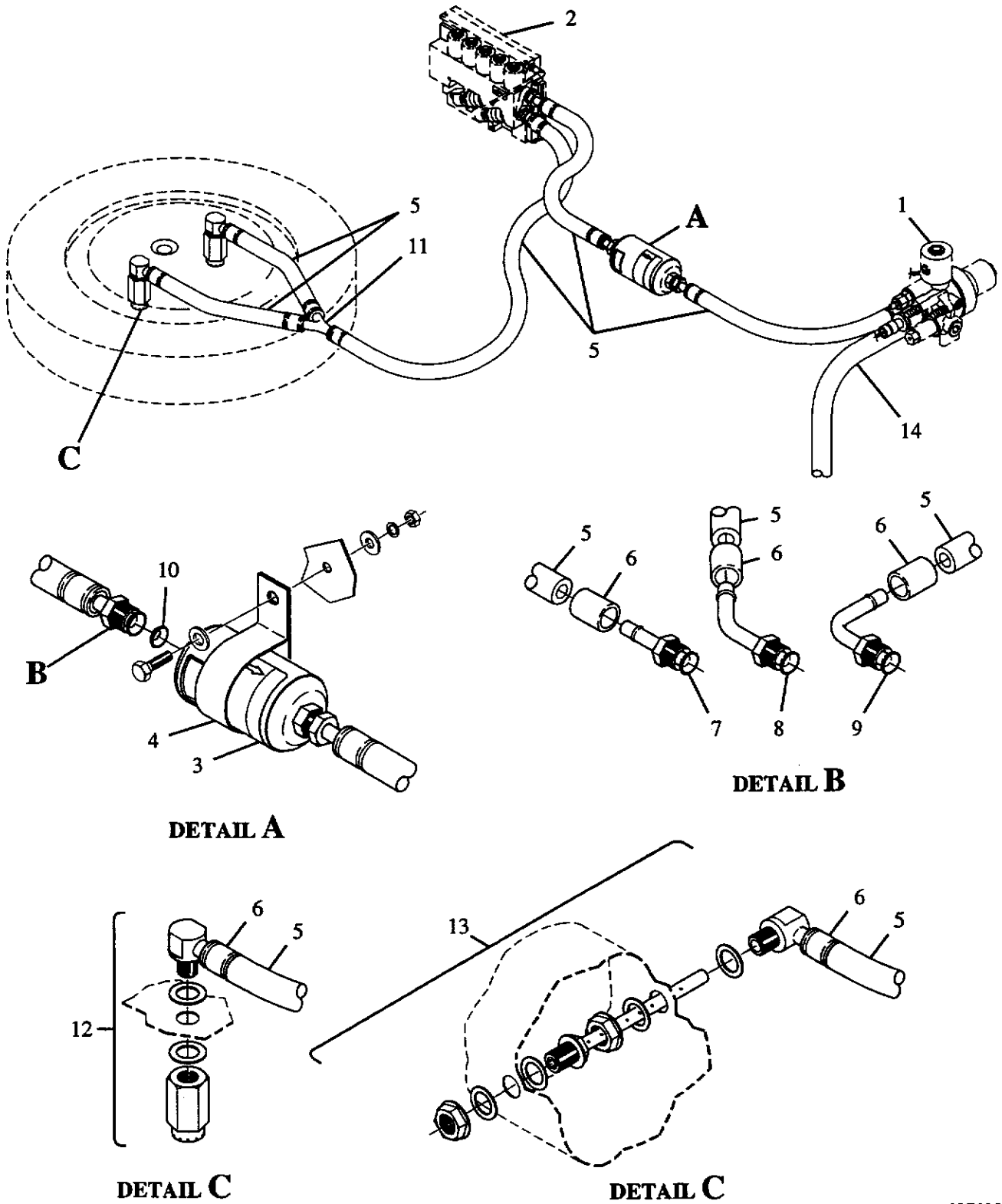
NG034

Index	Part Number	Description	Qty.	Notes
		<b>COMPUVALVE INSTALLATION</b>	NP	
1	V9-100	COMPUVALVE	1	
2	A1-376	CONNECTOR, 8 WAY MALE	1	1
3	A00477	TERMINAL, WIRE MALE 20 GA	7	
4	A00085	SEAL, WIRE BLUE 20 GA	7	
5	A00431	PLUG, CAVITY RED	1	
6	A00425	LOCK, SECONDARY, 8 WAY	1	
7	A1-377	CONNECTOR, 4 WAY FEMALE	1	1
8	A00484	TERMINAL, WIRE FEMALE 20 GA	3	
9	A00434	SEAL, WIRE RED 20 GA	3	
10	A2-103P	PLUG, CAVITY GREEN	1	
11	N1-132	KIT, COMPUVALVE MOUNTING BRACKET	1	
		BRACKET, LOW FLOW	1	
		BRACKET, HIGH FLOW	1	
		ATTACHING PARTS		
12	A1-593	CAP SCREW 1/4-20UNC x 3/8	6	
13	A1-272	WASHER, LOCK 1/4	6	
14	A1-282	WASHER, FLAT 1/4	6	
		---*---		
15	N1-133	KIT, COMPUVALVE ISOLATOR BRACKET	1	
		ATTACHING PARTS		
16	A1-282	WASHER, FLAT	6	2
17	A1-272	WASHER, LOCK	6	2
18	A1-391	NUT	6	2
		---*---		
19	A1-301	STUD, SHOCK MOUNT	6	
		ATTACHING PARTS		
20	A1-282	WASHER, FLAT	6	
21	A1-272	WASHER, LOCK	6	
22	A1-391	NUT	6	
		---*---		
23	N1-125	KIT, COMPUVALVE MOUNTING BRACKET	1	
		BRACKET, LOW FLOW	1	
		BRACKET, HIGH FLOW	1	
24	A1-741	SCREW, SELF TAPPING	6	
25	A1-282	WASHER, SAE FLAT 1/4"	6	
26	SEE FIG.6.8	HARNES, MAIN WIRING	1	
27	SEE FIG.6.4	FUEL HOSE, FILTER AND NOZZLE INSTALLATION	1	
28	SEE FIG.6.6	MAP TAKEOFF	1	
29	A1-682	BRACKET, COMPUVALVE	1	

## NOTES:

- CONNECTOR HOUSING GENDER IS DETERMINED BY THE GENDER OF THE TERMINAL PIN(S).
- ATTACHING PARTS FOR COMPUVALVE ISOLATOR BRACKET ARE FURNISHED WITH KIT (N1-133).

6.4 FUEL HOSE, FILTER AND NOZZLE INSTALLATION



NG035

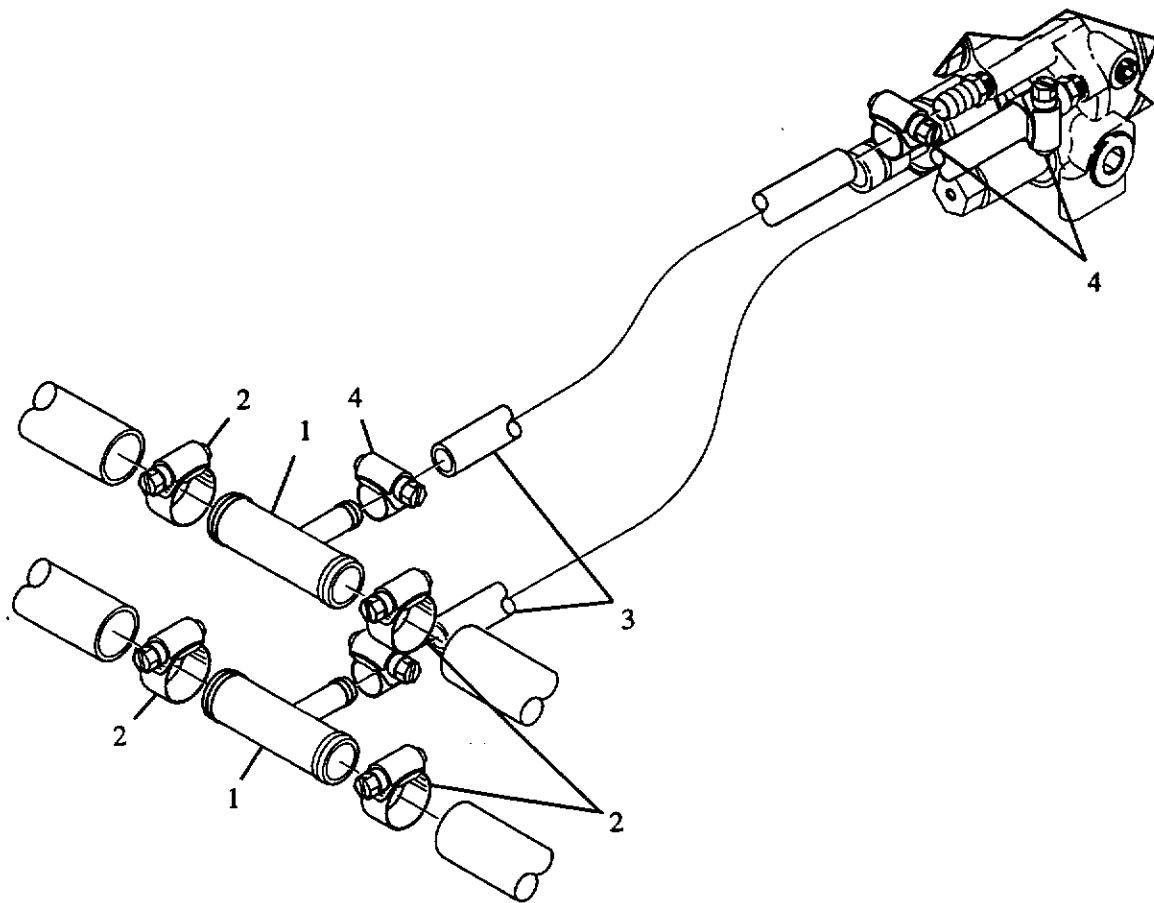


Index	Part Number	Description	Qty.	Notes
		<b>FUEL HOSE, FILTER AND NOZZLE INSTALLATION</b>	NP	
1	SEE FIG. 6.2	REGULATOR INSTALLATION	NP	
2	SEE FIG 6.3	COMPUVALVE INSTALLATION	NP	
3	A3-107	FILTER, FUEL 10 MICRON	1	
		ATTACHING PARTS		
4	NZ10114	CLAMP 2 1/2"	1	
		---*---		
5	ND04608	HOSE, FUEL, LOW PRESSURE 1/2" I.D.	BKI	1, 2
		ATTACHING PARTS		
6	ND01308	FERRULE	6	
		---*---		
7	ND10108	FITTING, SPECIAL STRAIGHT	5	
8	ND10148	FITTING, SPECIAL 45 DEGREE ALT. FOR ND10108	A/R	
9	ND10198	FITTING, SPECIAL 90 DEGREE ALT. FOR ND10108	A/R	
10	ND01508	WASHER, SEALING, COPPER	5	
11	NA20371	Y SPLITTER	1	
12	NA20332	SPRAY DISK KIT	1	
13	NA20358	SPRAY BAR KIT	1	
14	ND04612	HOSE, REGULATOR, RELIEF PORT 3/4" I.D.	BKI	
		ATTACHING PARTS		
	NZ04002	CLAMP M10	A/R	
		---*---		

**NOTES:**

1. SHOP FURNISHED ITEMS.
2. SERVICE LINES THAT CARRY FUEL ARE REGULATED BY LOCAL AND FEDERAL GUIDELINES. INSTALLERS ARE RESPONSIBLE FOR PROCURING THESE LINES FROM QUALIFIED ASSEMBLERS, AND ENSURING THAT THESE HOSES MEET ALL REQUIREMENTS FOR THE AREA OF OPERATION OF THE VEHICLE.

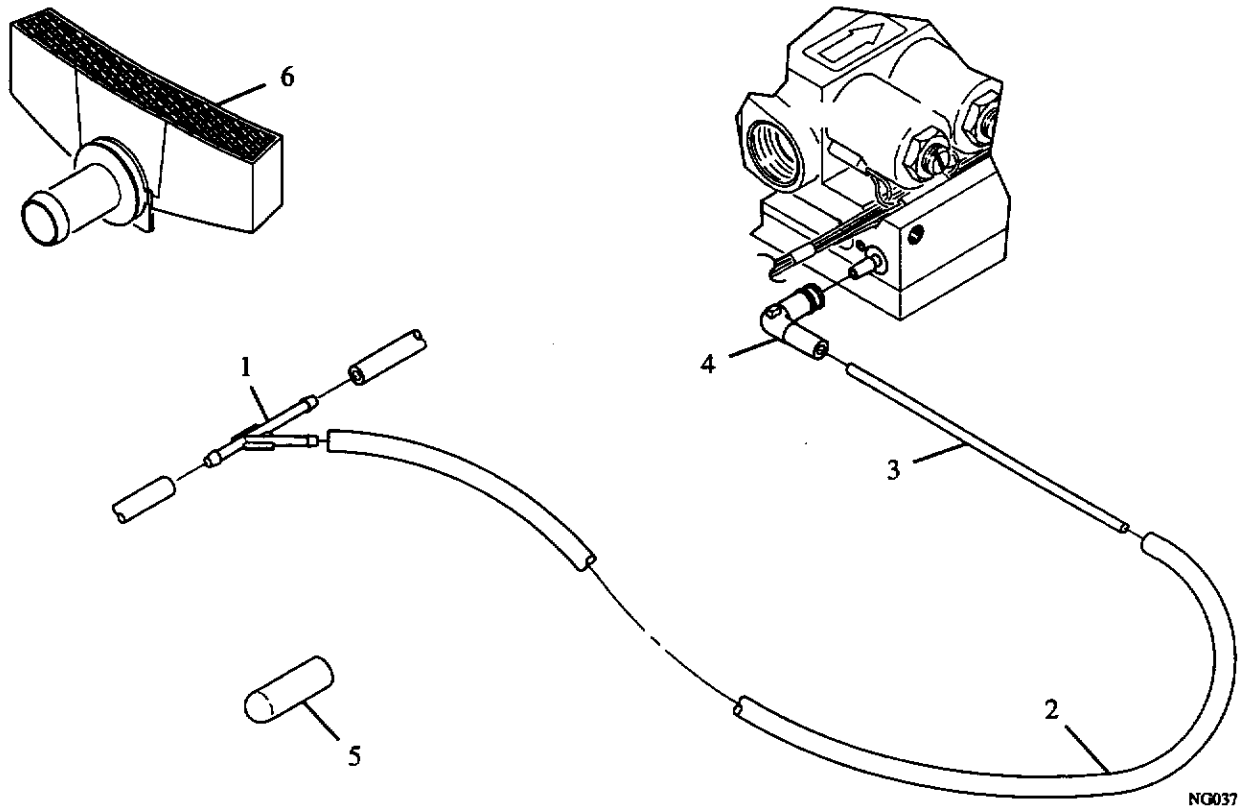
6.5 COOLANT HOSE INSTALLATION



NG036

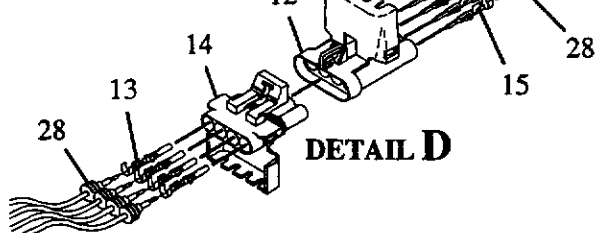
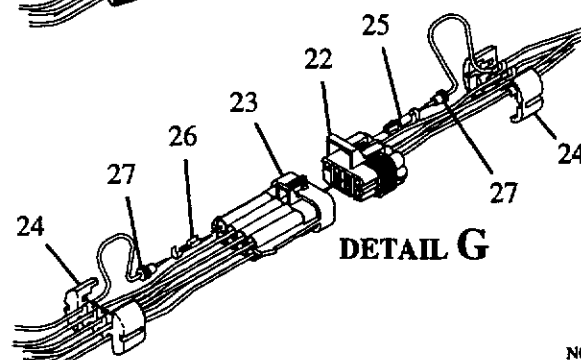
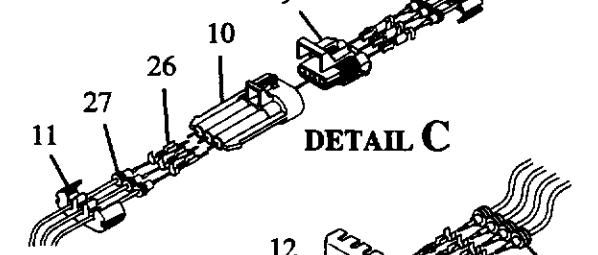
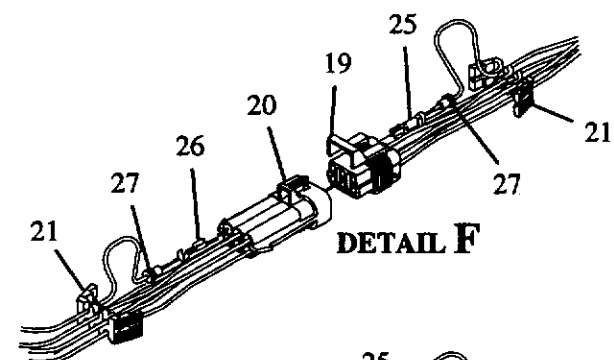
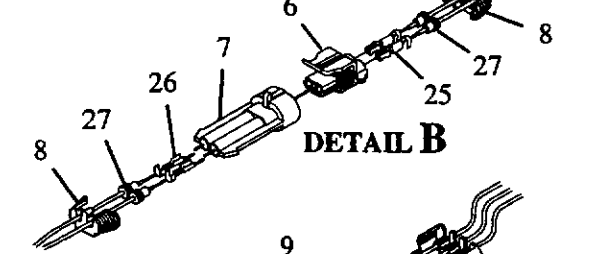
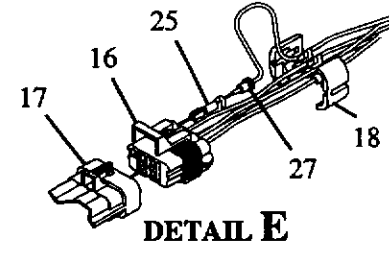
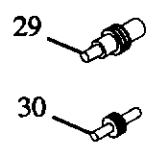
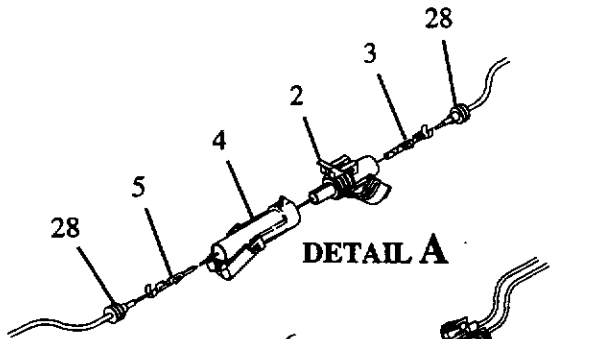
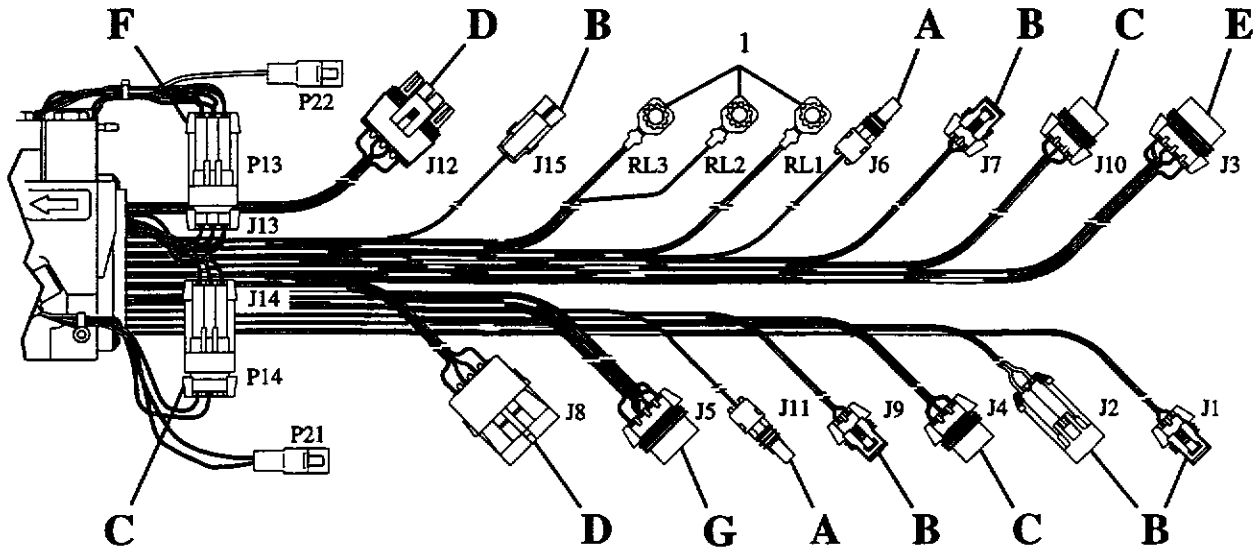
Index	Part Number	Description		Qty.	Notes
		<b>COOLANT HOSE INSTALLATION</b>		NP	
1	NZ02310	TEE, COOLANT	5/8" x 3/8" x 5/8"	2	
	NZ02312	TEE, COOLANT ALTERNATE FOR NZ02310	3/4" x 3/8" x 3/4"	A/R	
		ATTACHING PARTS			
2	NZ04002	CLAMP ---*---	M10	4	
3	ND04606	HOSE, COOLANT ATTACHING PARTS	3/8" I.D.	BKI	
4	NZ04001	CLAMP ---*---	M6	4	

6.6 MAP TAKEOFF AND AIR BREATHER



Index	Part Number	Description	Qty.	Notes
		<b>MAP TAKEOFF AND AIR BREATHER</b>		
1	NZ03954	TEE, VACUUM	1	
2	ND04601	HOSE, VACUUM	BKI	1/8" I.D.
3	V1-141P	TUBE, VACUUM DAMPER	1	
4	NZ03932	ELBOW, VACUUM	1	
5	NZ03906	CAP, VACUUM SMALL	A/R	1/8"
	NZ03908	CAP, VACUUM LARGE	A/R	1/4"
6	NZ03654	BREATHER, VACUUM	1	

6.7 MAIN WIRING HARNESS - GFI I



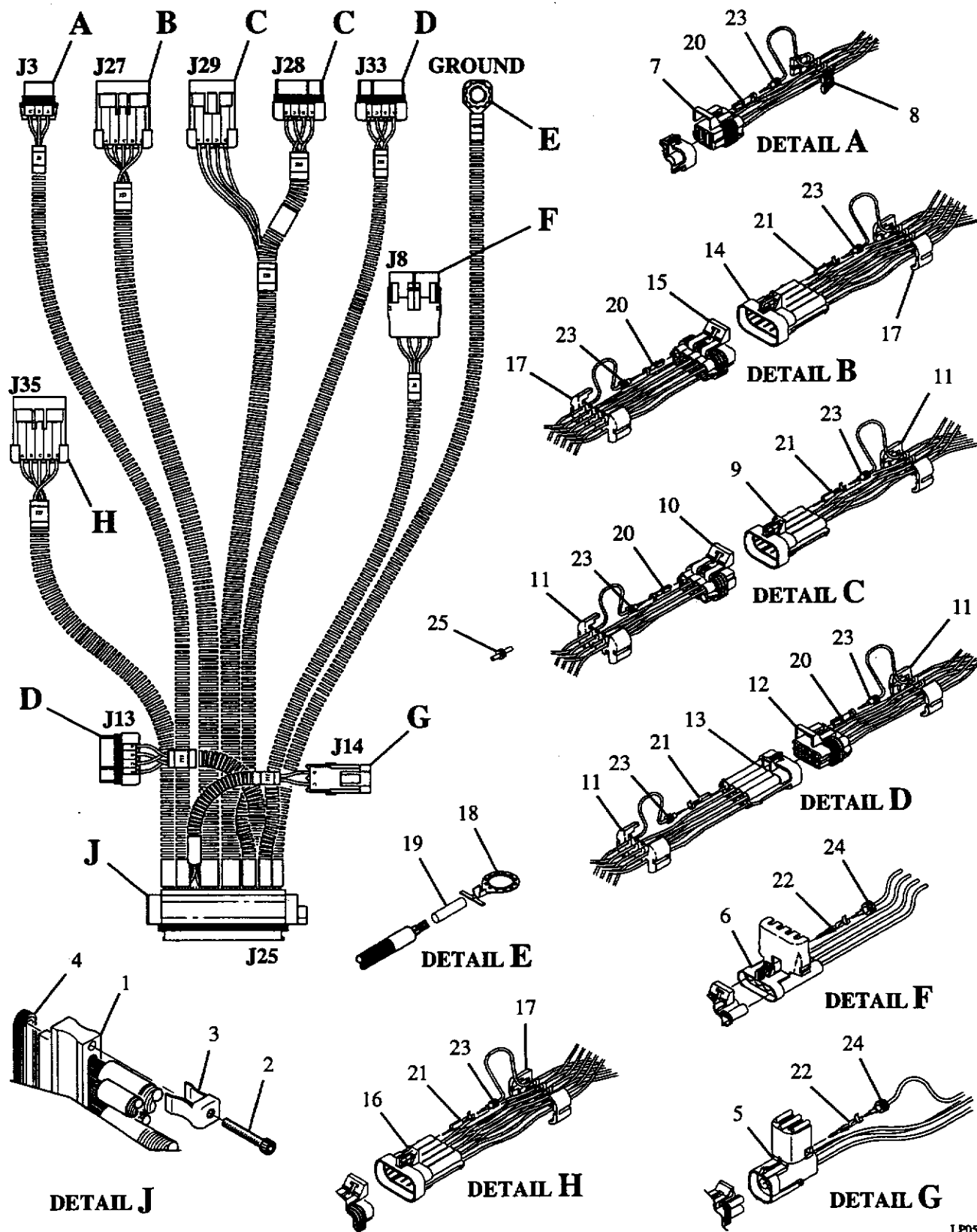
NC0007

Index	Part Number	Description	Qty.	Notes
		<b>MAIN WIRE HARNESS - GFI I</b>	NP	1
1	N12089045	TERMINAL, GROUND LUG	3	
2	N12015791	CONNECTOR, 1 WAY FEMALE,	2	
3	N12089188	TERMINAL, WIRE FEMALE	1	2
4	N12010996	CONNECTOR, 1 WAY MALE	2	3
5	N12089040	TERMINAL, WIRE MALE	1	2
6	N12052644	CONNECTOR, 2 WAY FEMALE	4	3, 4, 5
7	N12052648	CONNECTOR, 2 WAY MALE	4	3, 4, 5
8	N12052634	LOCK, SECONDARY, 2 WAY	1	2
9	N12110293	CONNECTOR, 3 WAY FEMALE	3	3, 7, 10
10	N12052844	CONNECTOR, 3 WAY MALE	3	3, 7, 10
11	N12052845	LOCK, SECONDARY	1	2
12	N12020830	CONNECTOR, 4 WAY FEMALE	2	3, 8
13	N12089188	TERMINAL, WIRE FEMALE	4	2
14	N12020832	CONNECTOR, 4 WAY MALE	2	3, 8
15	N12089040	TERMINAL, WIRE MALE	4	2
16	N12052600	CONNECTOR, 5 WAY FEMALE	1	
17	SEE FIG 6.2	CONNECTOR, 5 WAY MALE	1	3, 6
18	N12047936	LOCK, SECONDARY	1	2
19	N12052848	CONNECTOR, 6 WAY FEMALE	1	
20	N12052849	CONNECTOR, 6 WAY MALE	1	3, 9
21	N12052850	LOCK, SECONDARY	1	2
22	N12047938	CONNECTOR, 7 WAY FEMALE	1	
23	N12047933	CONNECTOR, 7 WAY MALE	1	3
24	N12047936	LOCK, SECONDARY	1	2
25	N12048074	TERMINAL, WIRE FEMALE	A/R	
26	N12045773	TERMINAL, WIRE MALE	A/R	
27	N12048087	SEAL, WIRE, BLUE	A/R	
	N12089678	SEAL, WIRE, WHITE	A/R	
28	N12015323	SEAL, WIRE, GREEN	A/R	
29	N12010300	PLUG, GREEN	A/R	
30	N12059168	PLUG, DARK RED	A/R	

**NOTES:**

1. MAIN WIRE HARNESS IS PART OF COMPUVALVE.
2. QUANTITIES ARE PER CONNECTOR.
3. MATING CONNECTORS ARE SHOWN BUT NOT FURNISHED WITH HARNESS.
4. P1 CONNECTOR IS PART OF IAT SENSOR
5. P2 CONNECTOR IS PART OF MST SENSOR.
6. P3 CONNECTOR IS PART OF REGULATOR.
7. P10 CONNECTOR IS PART OF SWITCH HARNESS.
8. P12 CONNECTOR IS PART OF FUSE AND RELAY HARNESS.
9. P13 CONNECTOR IS FROM HIGH FLOW INJECTORS.
10. P14 CONNECTOR IS FROM LOW FLOW INJECTORS.

6.8 MAIN WIRING HARNESS - GFI II



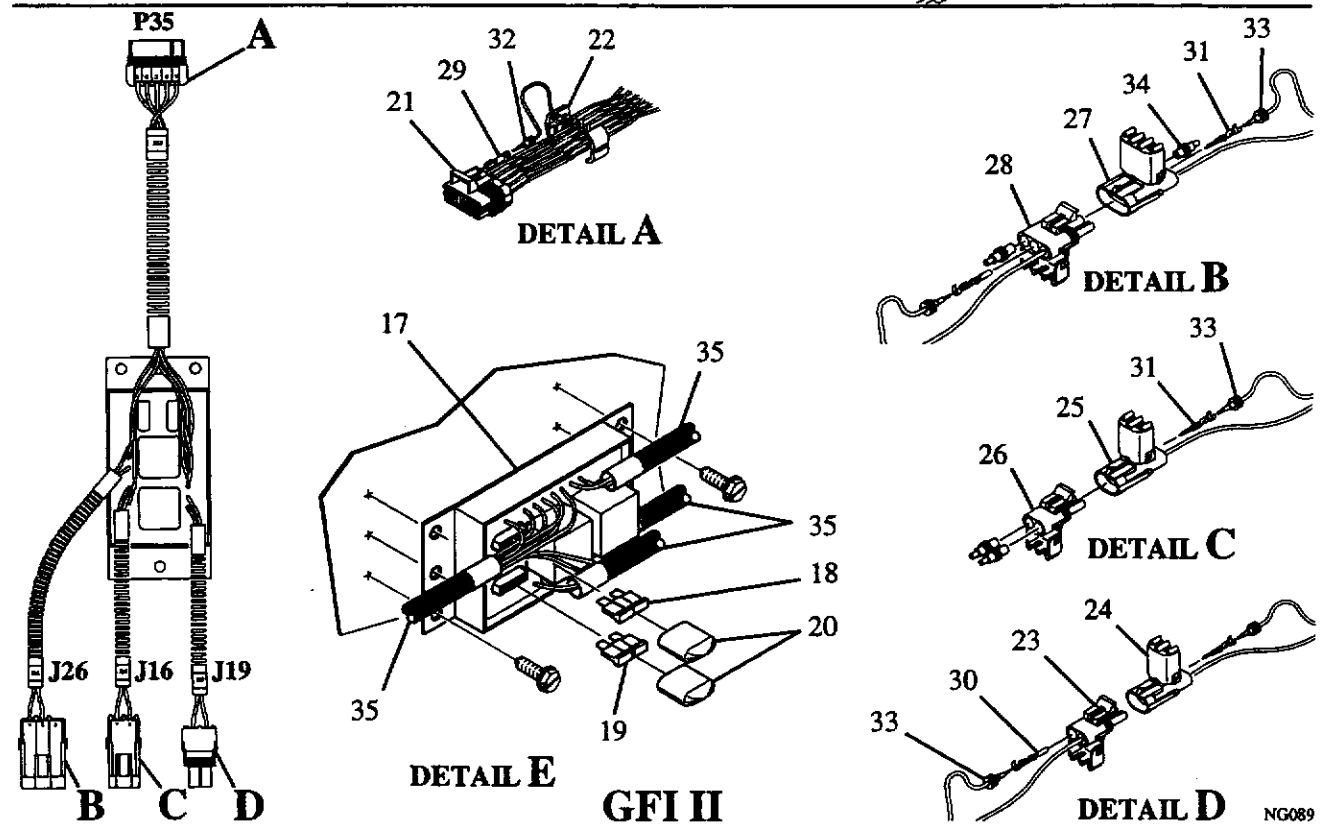
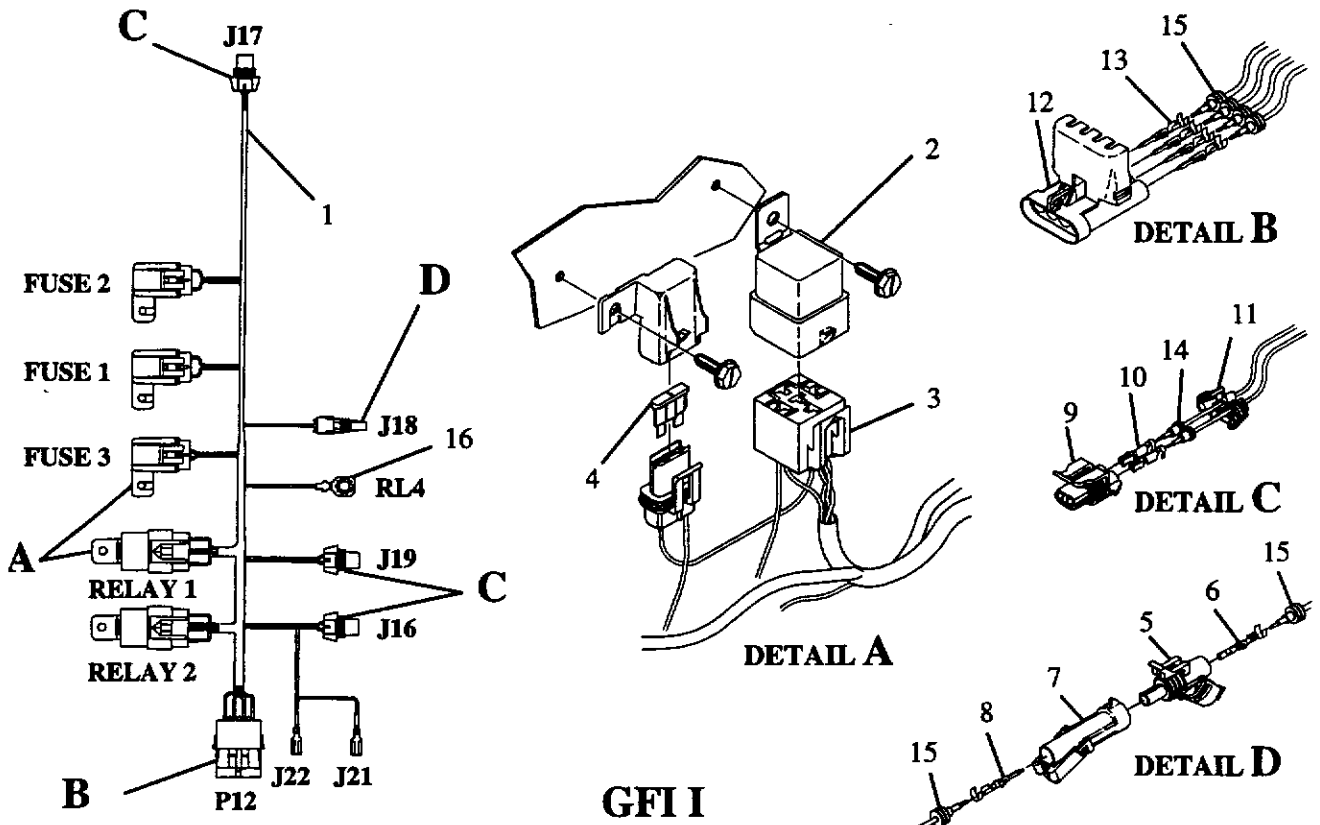
LP059

Index	Part Number	Description	Qty.	Notes
1	V1-157	MAIN WIRE HARNESS - GFI II ATTACHING PARTS	1	5
2	HX-2012	SCREW	2	
3	V9-115	SADDLE, BULKHEAD CONNECTOR	2	
4	V9-111	SEAL, BULKHEAD CONNECTOR	1	
		---*---		
5	A1-201	CONNECTOR, 4 WAY MALE J14	1	2,3
6	V4-105P	CONNECTOR, 4 WAY MALE J8	1	2,3
7	V4-101P	CONNECTOR, 6 WAY FEMALE J3	1	2,3
8	A00545	LOCK, SECONDARY, 6 WAY	1	1
9	A2-102P	CONNECTOR, 7 WAY MALE J29, P28	2	2
10	A00429	CONNECTOR, 7 WAY FEMALE J28, P29	2	2
11	A00383	LOCK, SECONDARY, 8 WAY	1	1
12	A1-203	CONNECTOR, 8 WAY FEMALE J13, J33	2	2,3
13	A1-378	CONNECTOR, 8 WAY MALE P13, P33	2	2,4
14	A1-199	CONNECTOR, 10 WAY MALE J27	1	2,3
15	V9-137	CONNECTOR, 10 WAY FEMALE P27	1	2,4
16	A1-198	CONNECTOR, 10 WAY MALE J35	1	2,3
17	A1-202	LOCK, SECONDARY, 10 WAY	1	1
18	V1-208	TERMINAL, GROUND LUG	1	
19	A1-193	SOLDER SLEEVE	1	
20	A00481	TERMINAL, WIRE FEMALE 18 GA	A/R	
	A00435	TERMINAL, WIRE FEMALE 22 GA	A/R	
21	A00087	TERMINAL, WIRE MALE 18 GA	A/R	
	A00477	TERMINAL, WIRE MALE 22 GA	A/R	
22	A00452	TERMINAL, WIRE MALE 18 GA	A/R	
	V9-145	TERMINAL, WIRE MALE 22 GA	A/R	
23	A00482	SEAL, WIRE WHITE 18 GA	A/R	
	A00085	SEAL, WIRE BLUE 22 GA	A/R	
24	A00465	SEAL, WIRE PURPLE 18 GA	A/R	
	A00434	SEAL, WIRE RED 22 GA	A/R	
25	A00431	PLUG, CAVITY RED	A/R	
	A1-134	HARNES KIT, MATING	1	

**NOTES:**

1. QUANTITIES ARE PER CONNECTOR.
2. CONNECTOR HOUSING GENDER IS DETERMINED BY THE GENDER OF THE TERMINAL PIN(S).
3. UNLESS OTHERWISE NOTED, CONNECTORS DENOTED WITH PREFIX "J" (I.E. J3, J35) ARE PART OF MAIN WIRE HARNESS.
4. UNLESS OTHERWISE NOTED, CONNECTORS DENOTED WITH PREFIX "P" (I.E. P27, P28) ARE PART OF VEHICLE MATING HARNESS KIT.
5. ITEMS 2, 3 AND 4 ARE INCLUDED WHEN ORDERING WIRE HARNESS (ITEM 1).

6.9 FUSE AND RELAY MODULE



NG089

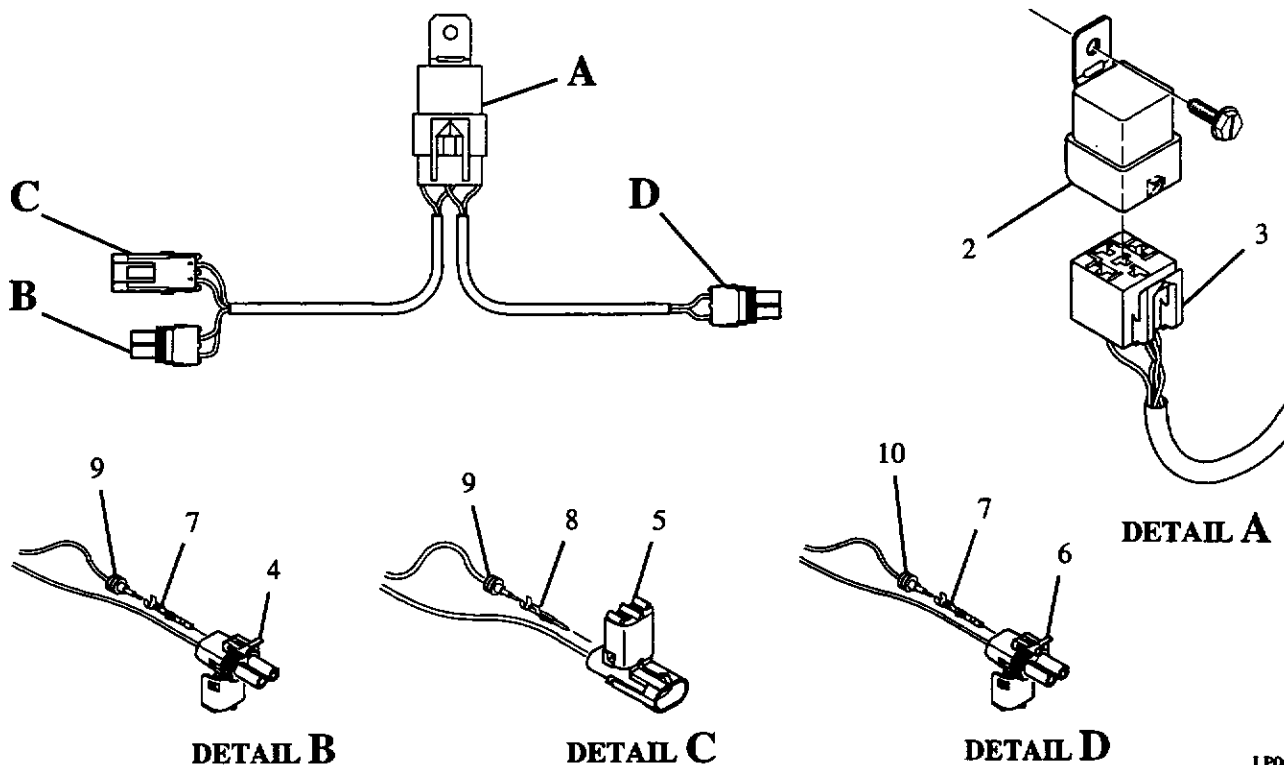


Index	Part Number	Description	Qty.	Notes
1	NA10205	FUSE AND RELAY HARNESS - GFI I	1	
2	NA10207	RELAY 12V, 30 AMP	2	
3	N12034003	BASE, RELAY	2	
	N12052225	TERMINAL	4	
4	A00461	FUSE, 3 AMP	2	FUSES 1 & 3
	A00460	FUSE, 10 AMP	1	FUSES 2
5	N12015791	CONNECTOR, 1 WAY FEMALE	1	J18 2
6	N12089188	TERMINAL, WIRE FEMALE	A/R	
7	N12010996	CONNECTOR, 1 WAY MALE	1	P18 2
8	N12089040	TERMINAL WIRE MALE	A/R	
9	N12052644	CONNECTOR, 2 WAY FEMALE	3	J16, J17, J19 2
10	N12048074	TERMINAL, WIRE FEMALE	A/R	
11	N12052634	LOCK, SECONDARY, 2 WAY	1	1
12	N12020830	CONNECTOR, 4 WAY MALE	1	P12 2
13	N12089040	TERMINAL, WIRE MALE	A/R	
14	N12048087	SEAL, WIRE BLUE	A/R	22 GA WIRE
	N12089678	SEAL, WIRE WHITE	A/R	20 GA WIRE
15	N12015323	SEAL, WIRE GREEN	A/R	18 GA WIRE
16	N12089045	TERMINAL, GROUND LUG	1	RL4
17	A1-540	MODULE, FUSE AND RELAY - GFI II	1	
18	A00461	FUSE, 3 AMP	1	
19	A00460	FUSE, 10 AMP	1	
20	A1-474	CAP, VINYL FUSE	2	
21	A1-541	CONNECTOR, 10 WAY FEMALE	1	P35 2
22	A1-202	LOCK, SECONDARY, 10 WAY	1	
23	A1-209	CONNECTOR, 2 WAY FEMALE	1	J19 2
24	A1-245	CONNECTOR, 2 WAY MALE	1	P19 3
25	A1-111	CONNECTOR, 2 WAY MALE	1	J16 2
26	A1-112	CONNECTOR, 2 WAY FEMALE	1	P16 3
27	V9-133	CONNECTOR, 3 WAY MALE	1	J26 2
28	V9-132	CONNECTOR, 3 WAY FEMALE	1	P26 3
29	A00481	TERMINAL, WIRE FEMALE	A/R	18 GA
30	A1-107	TERMINAL, WIRE FEMALE	A/R	18 GA
31	A00452	TERMINAL, WIRE MALE	A/R	18 GA
32	A00482	SEAL, WIRE WHITE	A/R	18 GA
33	A00465	SEAL, WIRE PURPLE	A/R	18 GA
34	A2-103P	PLUG, CAVITY GREEN	A/R	
35	SEE FIG 6.14	CONVOLUTED CONDUIT	BKI	

**NOTES:**

1. QUANTITIES ARE PER CONNECTOR.
2. CONNECTOR HOUSING GENDER IS DETERMINED BY THE GENDER OF THE TERMINAL PIN(S).
3. CONNECTORS P16, P19 AND P26 ARE FURNISHED WITH MATING HARNESS KIT.

6.10 AUXILIARY RELAY HARNESS



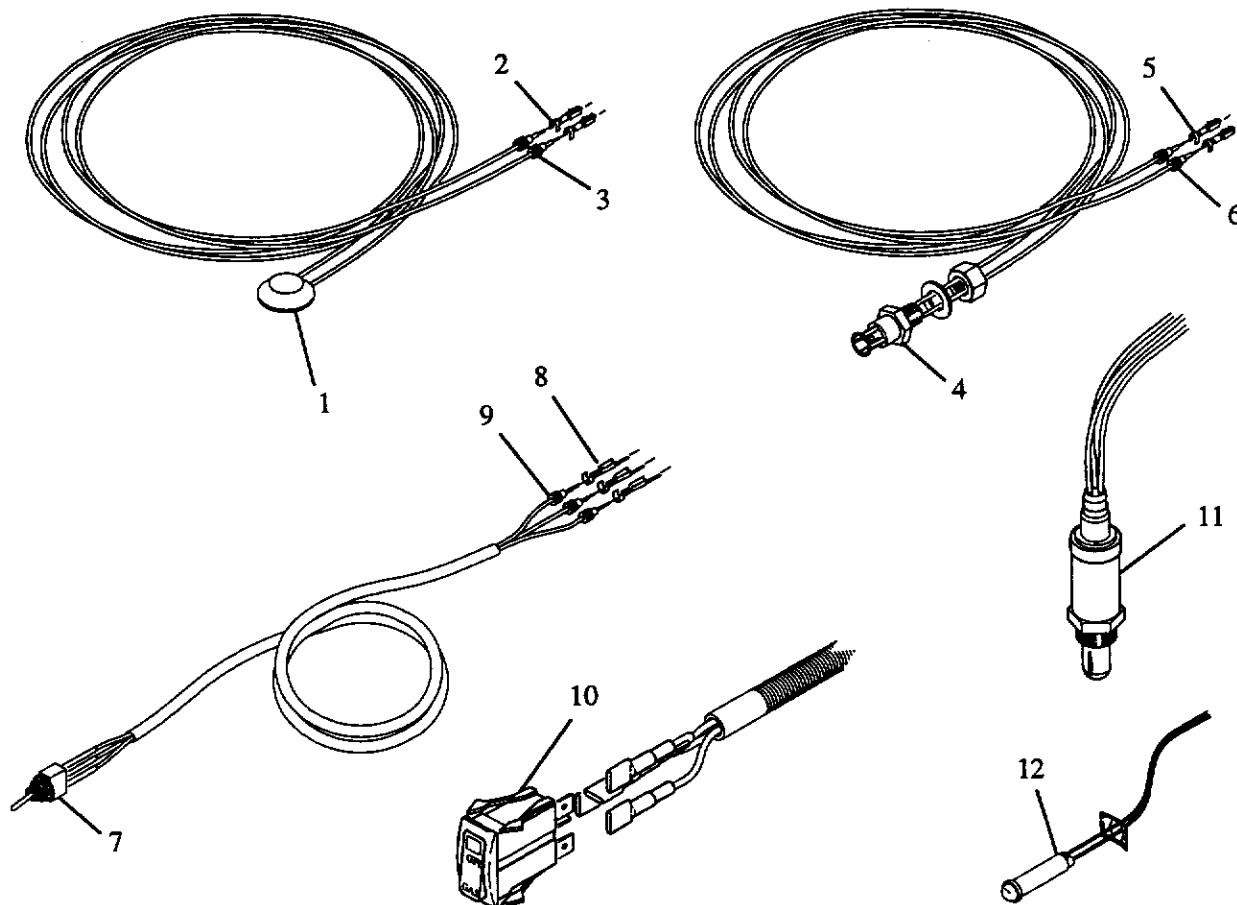
LP064

Index	Part Number	Description	Qty.	Notes
1	A1-543	HARNESS, AUXILIARY RELAY	1	
2	A00456	RELAY, SPDT	1	
3	N12034003	BASE, RELAY	1	
4	A1-112	CONNECTOR, 2 WAY FEMALE	1	1
5	A1-111	CONNECTOR, 2 WAY MALE	1	1
6	A1-209	CONNECTOR, 2 WAY FEMALE	1	1
7	A00432	TERMINAL, WIRE FEMALE	A/R	
8	V9-145	TERMINAL, WIRE MALE	A/R	
9	A00434	SEAL, WIRE RED 22 GA	A/R	
10	A00465	SEAL, WIRE PURPLE 18 GA	A/R	

NOTES:

- CONNECTOR HOUSING GENDER IS DETERMINED BY THE GENDER OF THE TERMINAL PIN(S).

6.11 ELECTRICAL COMPONENTS AND SENSORS



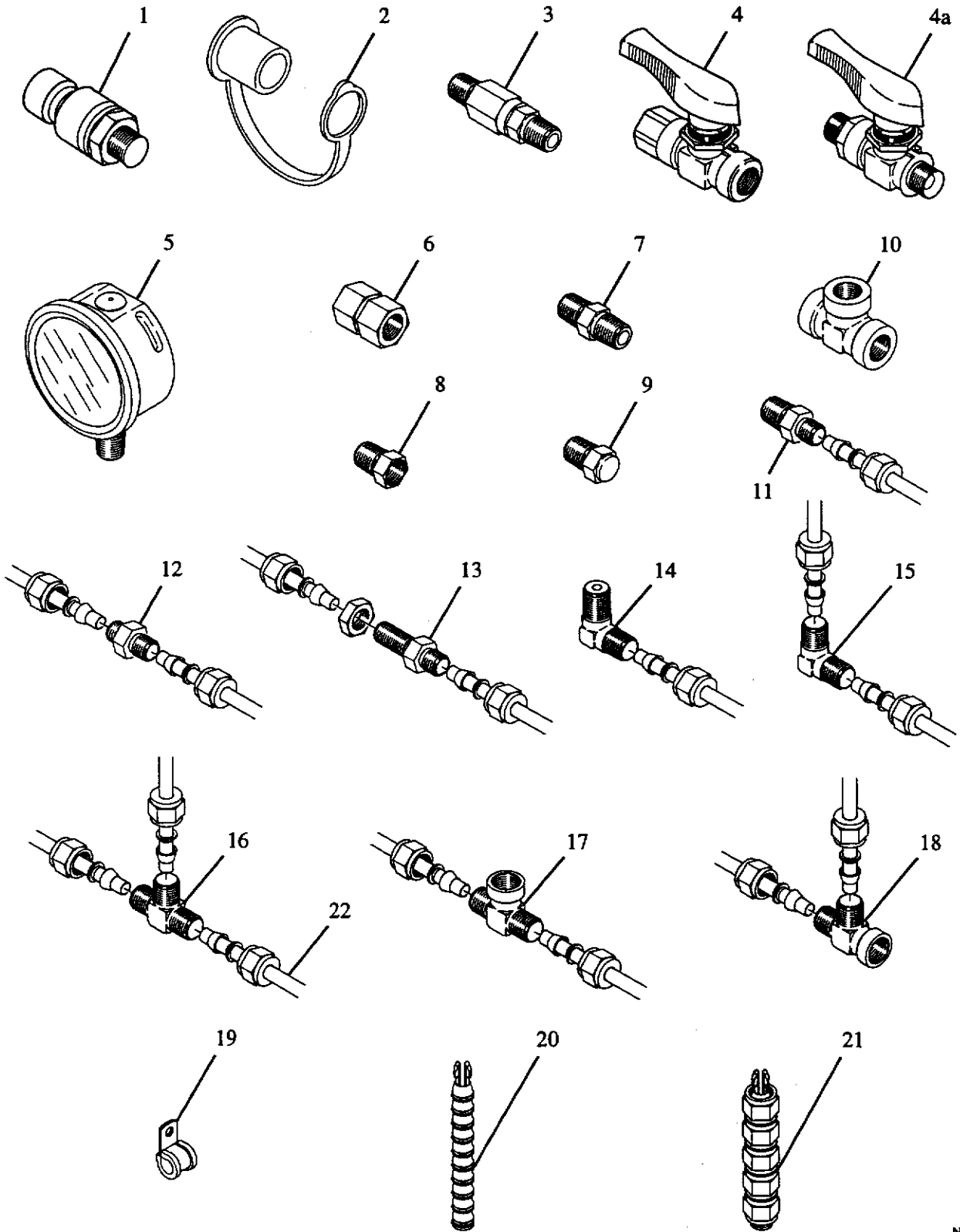
LP065

Index	Part Number	Description	Qty.	Notes
<b>ELECTRICAL COMPONENTS AND SENSORS</b>				
1	A1-131	SENSOR, MST	1	1
2	A00435	TERMINAL, WIRE FEMALE 22 GA	2	
3	A00085	SEAL, WIRE BLUE 22 GA	2	
4	A1-132	SENSOR, IAT	1	
5	A00435	TERMINAL, WIRE FEMALE 22 GA	2	
6	A00085	SEAL, WIRE BLUE 22 GA	2	
7	A1-133	HARNESS, FUEL SWITCH STANDARD	1	
8	A00087	TERMINAL, WIRE MALE 18 GA	3	
9	A00482	SEAL, WIRE WHITE 18 GA	3	
10	A1-579	SELECTOR SWITCH OPTIONAL	1	
11	NZ03007	SENSOR, OXYGEN, HEATED 3 WIRE	1	
12	V1-142P	HARNESS, DASH LIGHT	1	

NOTES:

1. MST SENSOR IS CODED (I.E. A, B, ETC.).

6.12 HIGH PRESSURE LINE HARDWARE



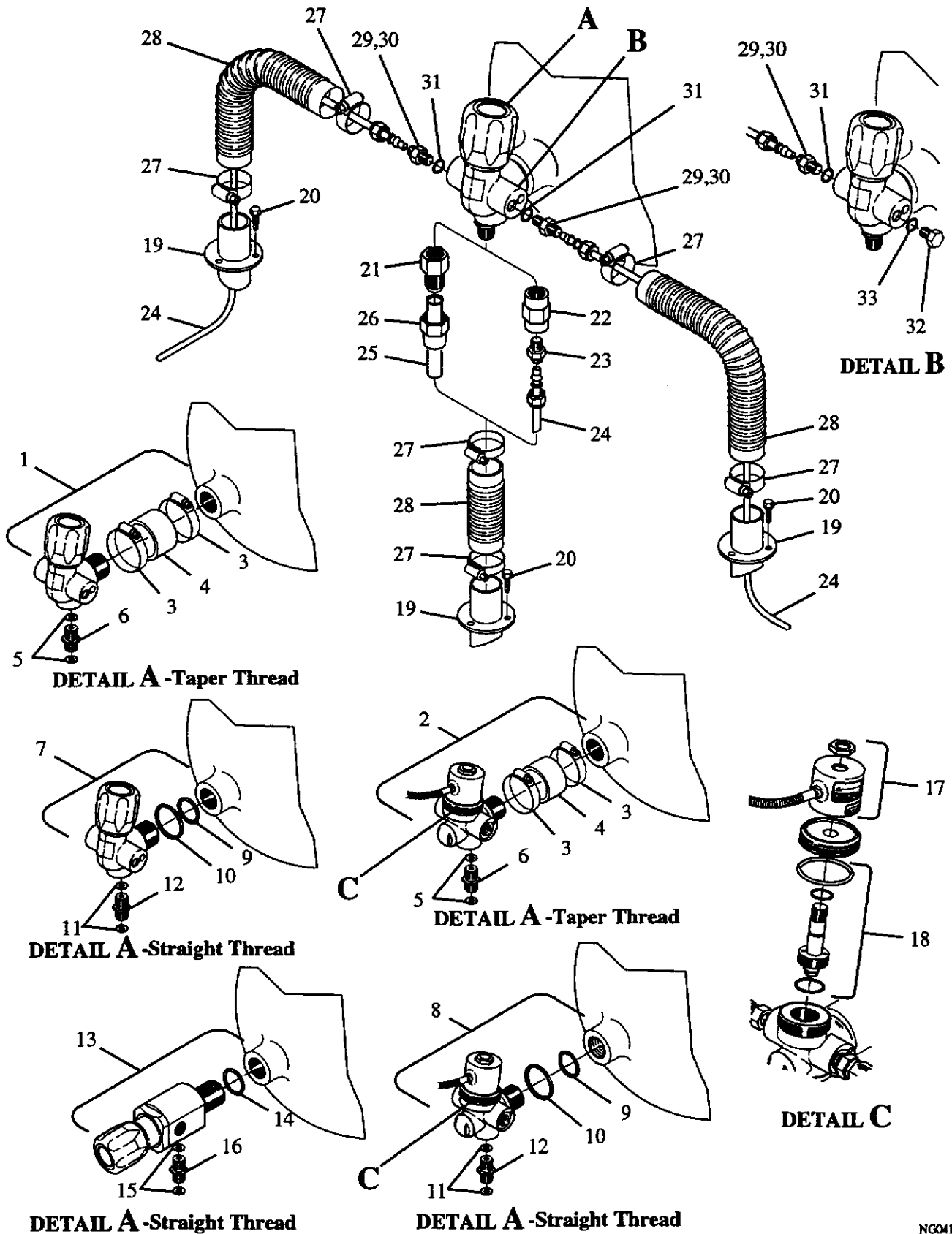
NG042

Index	Part Number	Description	Qty.	Notes
<b>HIGH PRESSURE LINE HARDWARE</b>				
1	NC01205	RECEPTACLE, FILL	1/4" TUBE	1
	NC01206	RECEPTACLE, FILL	3/8" TUBE	1
2	NC02206	COVER, 1/4" RECEPTACLE		1
	NC02209	COVER, 3/8" RECEPTACLE		1
3	NC02744	VALVE, CHECK	1/4" MNPT	1
	NC02714	VALVE, CHECK	1/4" FNPT	1
	NC02726	VALVE, CHECK	3/8" TUBE	1
4	NC05144	VALVE, BALL	1/4" FNPT	1
4a	NC05156	VALVE, BALL	3/8" TUBE	1
5	NC03804	GAUGE, 10,000 PSI	1/4" MNPT	1
6	NC10150	COUPLING, HEX	1/4" FNPT	1
	NC10151	COUPLING, HEX	3/8" FNPT	1
7	NC15244	NIPPLE, HEX	1/4" MNPT	1
8	NC15364	BUSHING	3/8" MNPT x 1/4" FNPT	1
	NC20784	BUSHING	1/2" MNPT x 1/4" FNPT	1
	NC10146	CONNECTOR	3/8" TUBE x 1/4" FNPT	1
9	NC15140	PLUG	1/4" MNPT	1
	NC12860	PLUG	3/8" MNPT	1
10	NC12244	TEE	1/4" FNPT	1
	NC12245	TEE	1/4" FNPT x 1/4" FNPT x 1/4" MNPT	1
11	NC10144	ADAPTER	1/4" TUBE x 1/4" MNPT	1 1
	NC10145	ADAPTER	3/8" TUBE x 1/4" MNPT	1 1
	NC11460	ADAPTER	3/8" TUBE x 3/8" MNPT	1 1
12	NC11144	UNION	1/4" TUBE	1 1
	NC11145	UNION	3/8" TUBE	1 1
	NC12646	UNION	3/8" TUBE x 1/4" TUBE	1 1
13	NC11244	UNION, BULKHEAD	1/4" TUBE	1 1
	NC11245	UNION, BULKHEAD	3/8" TUBE	1 1
	NC10344	UNION, BULKHEAD	1/4" TUBE x 1/4" MNPT	1 1
	NC10844	UNION, BULKHEAD	1/4" TUBE x 1/4" FNPT	1 1
14	NC10244	ELBOW	1/4" TUBE x 1/4" MNPT	1 1
	NC10266	ELBOW	3/8" TUBE x 1/4" MNPT	1 1
	NC21340	ELBOW	1/4" MNPT x 1/4" FNPT	1 1
	NC21544	ELBOW	3/8" MNPT x 3/8" FNPT	1 1
15	NC11344	ELBOW	1/4" TUBE	1 1
	NC11345	ELBOW	3/8" TUBE	1 1
16	NC12444	TEE	1/4" TUBE	1 1
	NC12466	TEE	3/8" TUBE	1 1
17	NC12664	TEE	3/8" TUBE x 1/4" FNPT x 3/8" TUBE	1 1
	NC13464	TEE	3/8" TUBE x 1/4" MNPT x 3/8" TUBE	1 1
18	NC12564	TEE	3/8" TUBE x 3/8" TUBE x 1/4" FNPT	1 1
19	NZ04428	CLAMP, NEOPRENE	1/4"	1
	NZ04430	CLAMP, NEOPRENE	3/8"	1
20	NC13804	FERRULE SET	1/4"	1
	NC13806	FERRULE SET	3/8"	1
21	NC13904	NUT AND FERRULE SET	1/4"	1
	NC13906	NUT AND FERRULE SET	3/8"	1

**NOTES:**

1. NUTS AND FERRULES ARE FURNISHED WITH FITTINGS.

6.13 TANK VALVE INSTALLATION

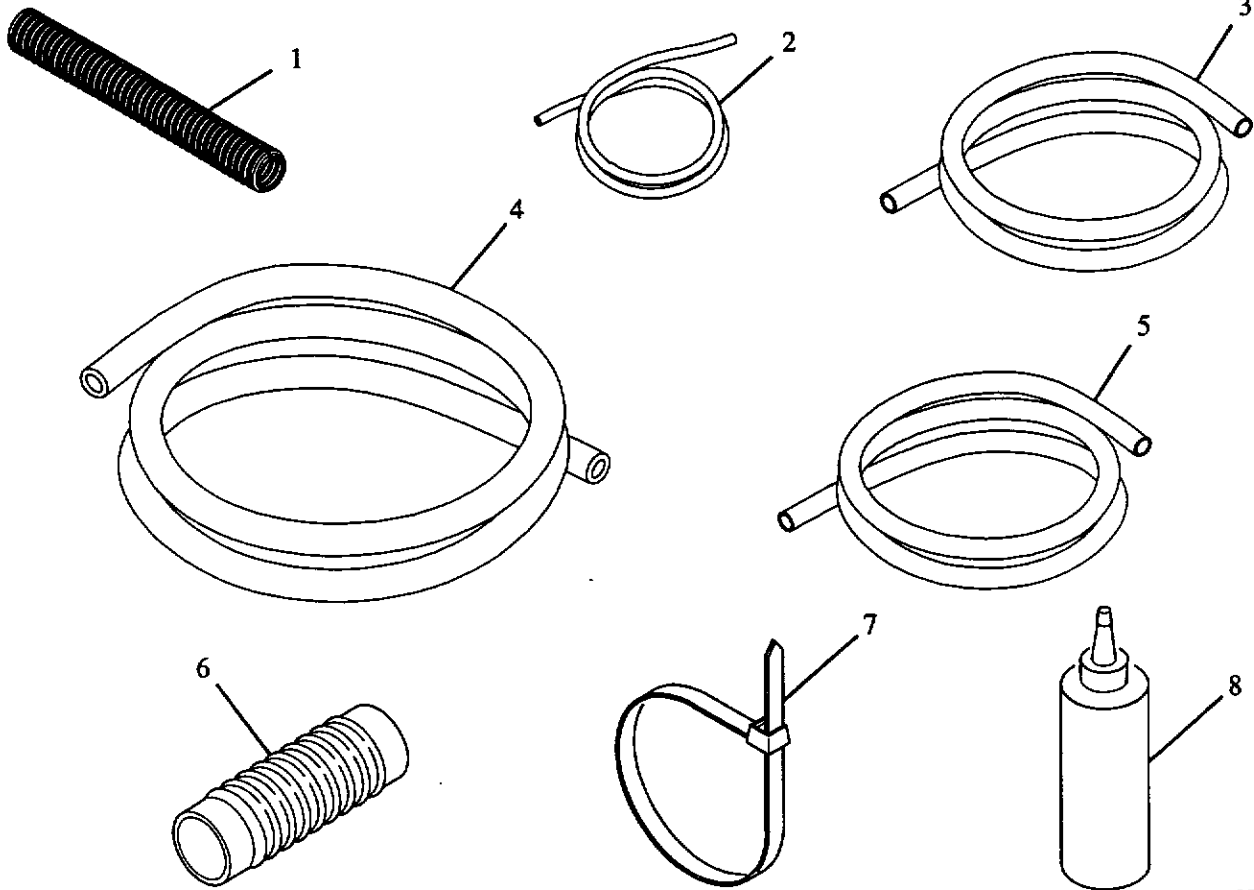


Index	Part Number	Description	Qty.	Notes
		<b>TANK VALVE INSTALLATION</b>		
1	NG-152	KIT, MANUAL TANK VALVE-T2 3/4" TAPER THREAD	1	
2	NG-197	KIT, SOLENOID TANK VALVE-T5 3/4" TAPER THREAD	1	
3	T1-135	BOOT, RUBBER	1	
4	T1-134	CLAMP	2	
5	T1-111	WASHER, SEALING, COPPER	2	
6	T1-110	ADAPTER, PRESSURE RELIEF	1	
7	NG-165	KIT, MANUAL TANK VALVE-T1 1 1/8" STRAIGHT THREAD	1	
8	NG-198	KIT, SOLENOID TANK VALVE-T4 1 1/8" STRAIGHT THREAD	1	
9	T1-125	SEAL, O-RING	1	
10	T4-138	SEAL, SECONDARY	1	
11	T1-111	WASHER, SEALING, COPPER	2	
12	T1-110	ADAPTER, PRESSURE RELIEF	1	
13	NG-196	KIT, STRAIGHT TANK VALVE-T6 1 1/8" STRAIGHT THREAD	1	
14	T1-125	SEAL, O-RING	1	
15	T1-111	WASHER, SEALING, COPPER	2	
16	T1-110	ADAPTER, PRESSURE RELIEF	1	
17	R1-127	KIT, COIL REPLACEMENT, SOLENOID TANK VALVE-T4, T5	1	
18	R1-128	KIT, PISTON REPLACEMENT, SOLENOID TANK VALVE-T4, T5	1	
19	T1-147	ADAPTER, FLANGED	1	
		ATTACHING PARTS		
20	T1-148	SCREW, SELF-TAPPING	3	
		---*---		
21	T1-131	PRESSURE RELIEF DEVICE CG9 (3600 PSI)	1	
22		PRESSURE RELIEF DEVICE CG5	N/A	3
23	SEE FIG.6.1	FITTING, RIGID TUBE 1/4" MNPT	1	
24	REFERENCE	RIGID TUBE	1	
25	REFERENCE	RIGID TUBE, 1/2" FLARED END CG9	1	
26	A1-702	NUT 1/2" FLARED TUBE	1	
27	T1-145	CLAMP	4	
28	T1-146	RIBBED HOSE	BKI	
29	A1-742	FITTING, RIGID TUBE 7/16" SAE O-RING x 1/4" TUBE	2	1
30	A00136	FITTING, RIGID TUBE 9/16" SAE O-RING x 1/4" TUBE	2	1
	A00144	FITTING, RIGID TUBE 9/16" SAE x 3/8" TUBE	2	
31	A00146	SEAL, O-RING 9/16"	2	
32	T1-136	PLUG, OUTLET PORT	1	2
33		SEAL, O-RING	1	

**NOTES:**

1. SOME EARLY MANUAL TANK VALVES USE 7/16" SAE O-RINGS, WHILE LATER MANUAL TANK VALVES USE 9/16" O-RINGS.
2. O-RING IS FURNISHED WITH FITTING.
3. THE CG5 PRESSURE RELIEF DEVICE IS NOT AVAILABLE FROM GFI CONTROL SYSTEMS, INC. BUT MAY BE USED WITH GFI TANK VALVES.

6.14 BULK ITEMS

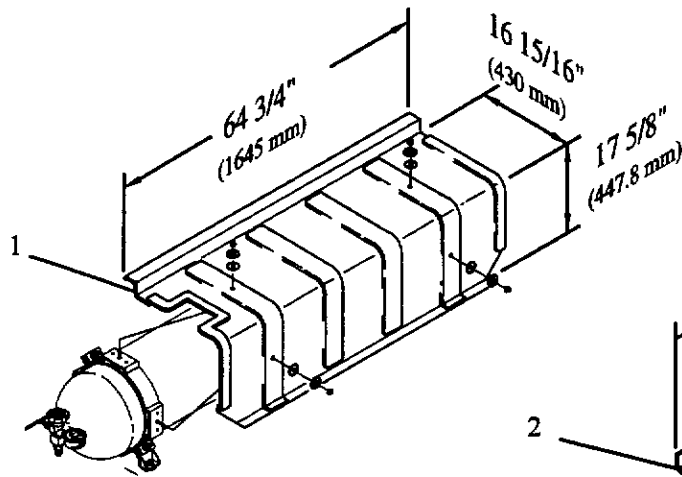


LP069

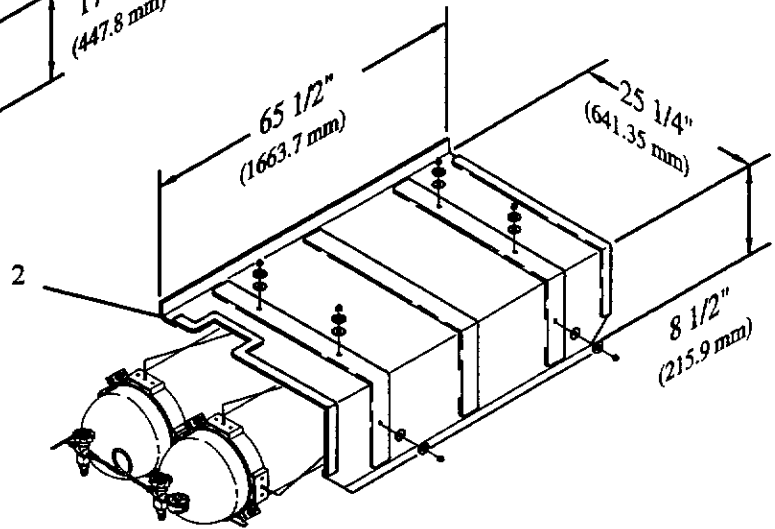
Index	Part Number	Description	Qty.	Notes
<b>BULK ITEMS</b>				
1	P2-101P	CONVOLUTED CONDUIT	1/4" I.D.	BKI
	A1-165	CONVOLUTED CONDUIT	3/8" I.D.	BKI
	A1-408	CONVOLUTED CONDUIT	3/4" I.D.	BKI
2	ND04601	HOSE, VACUUM	1/8" I.D.	BKI
	ND04604	HOSE, VACUUM	1/4" I.D.	BKI
3	A1-346	HOSE, COOLANT	3/8" I.D.	BKI
	ND04606	HOSE, COOLANT	3/8" I.D.	BKI
4	ND04608	HOSE, FUEL	1/2" I.D.	BKI
5	ND04612	HOSE, VENT	3/4" I.D.	BKI
6	T1-146	HOSE, RIBBED	1 3/16" I.D.	BKI
7	A1-403	CABLE TIE, NYLON	BLACK 5"	BKI
	A1-450	CABLE TIE, NYLON	BLACK 11"	BKI
8	R1-117	SOLUTION, LEAK REACTANT		BKI



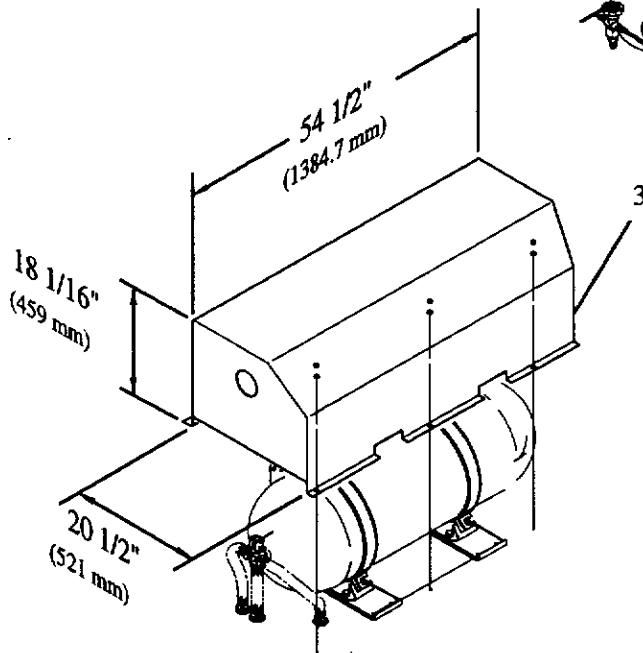
6.15 SPECIAL SPARES



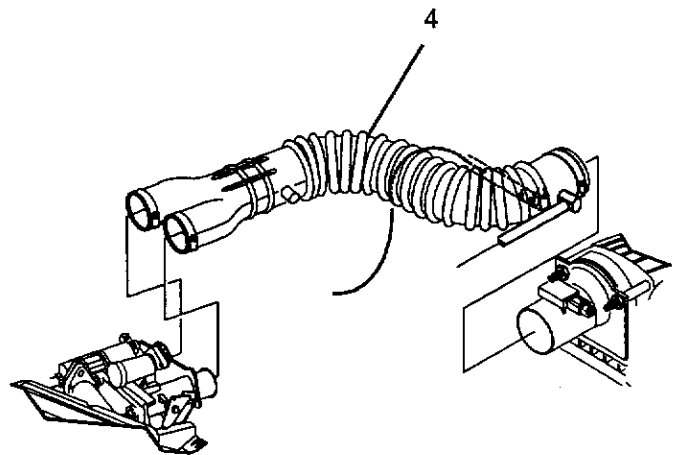
SINGLE IN-BED TANK SHIELD



DUAL IN-BED TANK SHIELD



INTERIOR TANK SHIELD



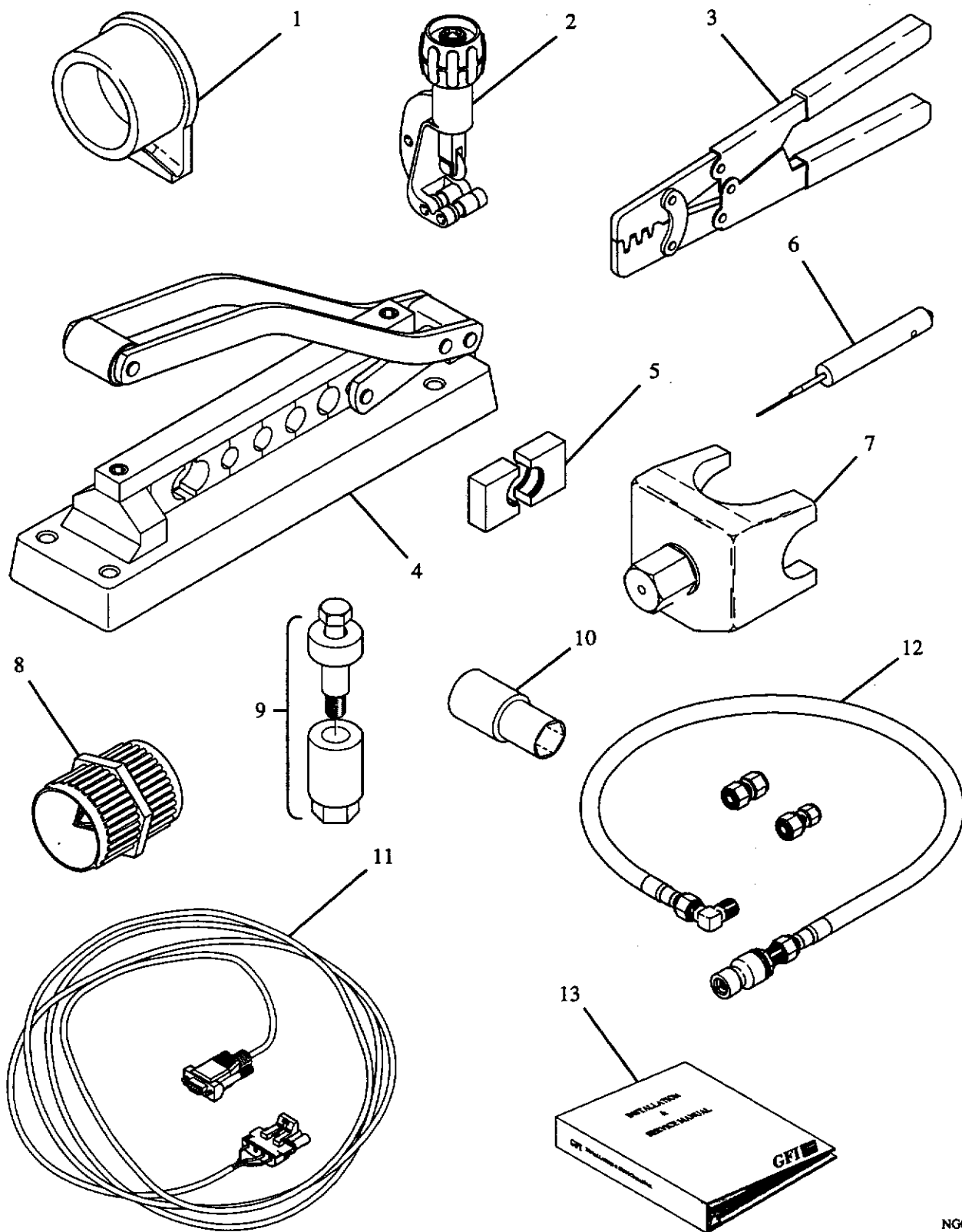
NG132

Index	Part Number	Description	Qty.	Notes
<b>SPECIAL SPARES</b>				
1	A1-442	SHIELD, SINGLE IN-BED TANK	1	
2	A1-441	SHIELD, DUAL IN-BED TANK	1	
3	A1-848	SHIELD, INTERIOR TANK	1	
4	A1-947	INTAKE TUBE ASSY, CLEAN AIR	1	1, 2

NOTE:

1. THE UNIT COMES ASSEMBLED WITH DISCHARGE NOZZLES, 51 1/2" LONG LOW PRESSURE FUEL HOSE, PCV HOSE AND RIGHT ANGLE FITTING.
2. INTAKE TUBE AND HOSE ASSEMBLY MUST BE REPLACED AS AN ASSEMBLY.

6.16 SPECIAL TOOLS



NG040

Index	Part Number	Description	Qty.	Notes
		<b>SPECIAL TOOLS</b>		
1	NT10114	TUBE, BENDER	1	
2	NT10169	TUBE CUTTER	1	
3	NT10124	CRIMPER, TERMINAL	1	
4	NT10134	CRIMPER, HOSE	1	
5	NT10135	DIE, HOSE CRIMPER	1	1/2" HOSE
6	NT10144	EXTRACTOR, PIN	1	
7	05208-T	MOUNTING TOOL, MANUAL TANK VALVE	1	
	05473-T	MOUNTING TOOL, SOLENOID TANK VALVE	1	
8	NT10164	DEBURRING TOOL	1	3/8" TUBE
	NT10163	DEBURRING TOOL	1	1/4" TUBE
9	NT10194	INSTALLER, NOZZLE (2 PIECES)	1	
10	05326-TB	SOCKET, THIN WALL	1	1"
	NT10174	SOCKET, THIN WALL	1	1 1/16"
11	NT20232	CABLE, RS-232	1	
12	N1-185	KIT, VENT	1	
13	GFIP046	GFI INSTALLATION AND SERVICE MANUAL	1	
	GFIP010	GFI OWNER'S MANUAL	1	
	GFIP007	GFI KIT REGISTRATION FORM	1	
	GFIP042	GFI WARRANTY CLAIM FORM	1	
	GFIP045	GFI WARRANTY & TIME/LABOR STANDARDS	1	
	GFIP015	GFI NATURAL GAS INSTALLATION DIAGRAM	1	20" x 30"
	GFIP070	GFI NATURAL GAS SALES BROCHURE	1	

6.17 LABELS

1 **CNG**

2 **GFI**

3 **CNG FUELED VEHICLE**  
 System Identification:  
 Model: **G21801008** Serial:   
 No. of Cylinders Installed:   
 System Pressure @ 70° F:   
 Total Cylinder Water Volume:   
 Cu. In.  Liters:   
 Cylinder Inspection Date:   
 Cylinder Expiration Date:   
**GFI**  
 GFI Control Systems, Inc.  
 100 Milligan Crescent, Etobicoke  
 Ontario, Canada, M9C 2Z3  
 Phone: 1-800-367-4275  
 FAX: (905) 875-0916  
 L1-100

4 **MANUAL SHUTOFF VALVE**  
L1-100

5 **THIS VEHICLE MUST BE OPERATED ON UNLEADED GASOLINE A MINIMUM OF ONE TANK EVERY 60 DAYS**

6 **CNG FUELED VEHICLE**  
Service Pressure:  
20700 kPa (3000 psig) L1-100

7 **SEE INSTRUCTIONS ON FUEL CONTAINER OR UNDERHOOD LABELS FOR INSPECTION AND SERVICE LIFE**  
L1-107

8 **GFI** GFI Control Systems, Inc.  
100 Milligan Crescent, Etobicoke  
Ontario, Canada, M9C 2Z3  
Phone: 1-800-367-4275 Fax: (905) 875-0916

MODEL YEAR	INSTALLED BY
DATE	ADDRESS
ENGINE MAKE	TYPE
DISPLACEMENT / CYLINDERS	YEAR
ENGINE MAKE & TYPE	FUEL TYPE
VEHICLE MAKE	VEHICLE DESCRIPTION
RELEASE OF INSTALLATION	VEHICLE EQUIPMENT RELEASE

9 **CAUTION: HIGH PRESSURE**  
L1-100

10 **WARNING: DO NOT WORK ON OPEN GAS LINES OR FITTINGS WITHOUT MAKING CERTAIN ALL TANKS ARE COMPLETELY SHUT OFF.**

11 **HIGH PRESSURE NO WELDING OR CUTTING**

12 **GFI**  
GASOLINE FUEL INJECTION

13 **ALL CNG COMPONENTS MUST BE SERVICED BY AUTHORIZED MECHANICS ONLY**  
L1-100

14 **POWERED BY GFI**

15 **GFI**  
Control Systems Inc

16 **Natural Gas**

17 **powered by GFI NATURAL GAS**

NO062

Index	Part Number	Description	Qty.	Notes
		<b>LABELS</b>		
1	B13239	LABEL, CNG DIAMOND	1	
2	A2-106P	LABEL, DASHBOARD SWITCH	1	
3	L1-106	LABEL, TANK IDENTIFICATION	1	
4	L1-119	LABEL, TANK INSPECTION DATE	1	
5	L1-107	LABEL, "USE GASOLINE EVERY 60 DAYS"	1	
6	L1-103	LABEL, "MANUAL SHUTOFF"	1	
7	L1-183	LABEL, VACUUM DIAGRAM	1	
8	L1-147	LABEL, EMISSIONS	1	
9	B13947	LABEL, "NO WELDING"	1	
10	L1-104	LABEL, "CAUTION: HIGH PRESSURE"	1	
11	B13248	LABEL, "WARNING: TANK SHUTOFF"	1	
12	B13953	DECAL, GFI 3" x 1 1/2"	1	
13	L1-105	LABEL, "AUTHORIZED MECHANIC"	1	
14	L1-136	BADGE, "POWERED BY" 4 1/4" x 1 3/4"	1	
15	L1-135	DECAL, GFI 14" x 4"	1	
16	L1-201	LABEL, GFI NATURAL GAS 3 3/4" x 1 1/2"	1	
17	L1-133	DECAL, WINDOW BANNER 30" x 2"	1	
18	L1-215	LABEL, CNG FUELED VEHICLE	1	
19	L1-216	LABEL, CYLINDER INSPECTION	1	

## 6.18 INDEX BY DESCRIPTION

<b>A</b>		<b>F</b>	
ADAPTER, 1/4" TUBE x 1/4" MNPT.....	6-21	FERRULE.....	6-9
ADAPTER, 3/8" TUBE x 1/4" MNPT.....	6-21	FERRULE SET, 1/4".....	6-21
ADAPTER, 3/8" TUBE x 3/8" MNPT.....	6-21	FERRULE SET, 3/8".....	6-21
ADAPTER, FLANGED.....	6-23	FILTER, COALESCING, SMALL CAPACITY.....	6-3
ADAPTER, FSP.....	6-5	FILTER, FUEL, 10 MICRON.....	6-9
ADAPTER, PRESSURE RELIEF.....	6-23	FILTER, REPLACEMENT ELEMENT.....	6-3
ADAPTER, PRESSURE RELIEF.....	6-23	FITTING, ADAPTER, 1/4".....	6-3
ADAPTER, PRESSURE RELIEF.....	6-23	FITTING, ADAPTER, 3/8".....	6-3
<b>B</b>		FITTING, HIGH PRESSURE FUEL, 1/4".....	6-5
BADGE, "POWERED BY".....	6-29	FITTING, HIGH PRESSURE FUEL, 3/8".....	6-5
BASE, RELAY.....	6-17	FITTING, RIGID TUBE, 7/16" SAE x 1/4".....	6-23
BASE, RELAY,.....	6-18	FITTING, RIGID TUBE, 9/16" SAE x 1/4".....	6-23
BOOT, RUBBER.....	6-23	FITTING, RIGID TUBE, 9/16" SAE x 3/8".....	6-23
BRACKET, COMPUVALVE.....	6-7	FITTING, SPECIAL, 45 DEGREE.....	6-9
BREATHER, VACUUM.....	6-11	FITTING, SPECIAL, 90 DEGREE.....	6-9
BROCHURE, SALES, NATURAL GAS, GFI.....	6-27	FITTING, SPECIAL, STRAIGHT.....	6-9
BUSHING, 3/8" MNPT x 1/4" FNPT.....	6-21	FORM, REGISTRATION, GFI KIT.....	6-27
BUSHING, 1/2" MNPT x 1/4" FNPT.....	6-21	FUSE AND RELAY HARNESS- GFI I.....	6-17
<b>C</b>		FUSE AND RELAY HARNESS- GFI II.....	6-17
CABLE, RS-232.....	6-27	FUSE AND RELAY MODULE - GFI II.....	6-17
CAP SCREW, 1/4-20 UNC x 3/8.....	6-7	FUSE, 10 AMP.....	6-17
CAP, VACUUM, LARGE.....	6-11	FUSE, 3 AMP.....	6-17
CAP, VACUUM, SMALL.....	6-11	<b>G</b>	
CAP, VINYL FUSE.....	6-17	GAUGE, 10,000 PSI, 1/4" MNPT.....	6-21
COMPUVALVE.....	6-7	<b>H</b>	
CONVOLUTED CONDUIT, 1/4" I.D.....	6-24	HARNESS KIT, MATING.....	6-15
CONVOLUTED CONDUIT, 3/8" I.D.....	6-24	HARNESS, AUXILIARY RELAY.....	6-18
CONVOLUTED CONDUIT, 3/4" I.D.....	6-24	HARNESS, DASH LIGHT.....	6-19
COUPLING, HEX, 1/4" FNPT.....	6-21	HARNESS, FUEL SWITCH, STANDARD.....	6-19
COUPLING, HEX, 3/8" FNPT.....	6-21	HARNESS, MAIN WIRE - GFI II.....	6-15
COVER, 1/4" RECEPTACLE.....	6-21	HARNESS, SELECTOR SWITCH.....	6-19
COVER, 3/8" RECEPTACLE.....	6-21	HOSE, COOLANT, 3/8" I.D.....	6-10, 6-24
CRIMPER, HOSE.....	6-27	HOSE, COOLANT, 5/8" I.D.....	6-24
CRIMPER, TERMINAL.....	6-27	HOSE, FUEL, 1/2" I.D.....	6-24
<b>D</b>		HOSE, FUEL, LOW PRESSURE, 1/2" I.D.....	6-9
DEBURRING TOOL, 3/8" TUBE.....	6-27	HOSE, RIBBED, 1 3/16" I.D.....	6-24
DEBURRING TOOL, 1/4" TUBE.....	6-27	HOSE, REGULATOR RELIEF PORT.....	6-9
DECAL, GFI, 3" x 1 1/2".....	6-29	HOSE, VACUUM, 1/8" I.D.....	6-11, 6-24
DECAL, GFI, 14" x 4".....	6-29	HOSE, VACUUM, 1/4" I.D.....	6-24
DECAL, WINDOW BANNER, 30" x 2".....	6-29	HOSE, VENT, 3/4" I.D.....	6-24
DIAGRAM, 20" x 30", INSTL, NG, GFI.....	6-27	<b>I</b>	
DIE, HOSE CRIMPER, 1/2" HOSE.....	6-27	INSTALLER, NOZZLE (2 PIECES).....	6-27
<b>E</b>		INTAKE TUBE ASSY, CLEAN AIR.....	6-25
ELBOW, 1/4" TUBE x 1/4" MNPT.....	6-21		
ELBOW, 3/8" TUBE x 1/4" MNPT.....	6-21		
ELBOW, 1/4" MNPT x 1/4" FNPT.....	6-21		
ELBOW, 3/8" MNPT x 3/8" FNPT.....	6-21		
ELBOW, 1/4" TUBE.....	6-21		
ELBOW, 3/8" TUBE.....	6-21		
ELBOW, VACUUM.....	6-11		
EXTRACTOR, PIN.....	6-27		

**K**

KIT, COMPUVALVE ISOLATOR BRACKET ..... 6-7  
 KIT, COIL REPLACEMENT ..... 6-23  
 KIT, COMPUVALVE MOUNTING BRACKET ..... 6-7  
 KIT, FILTER REPLACEMENT, 1/4" (P32-100).... 6-5  
 KIT, FILTER REPLACEMENT, 1/4" (P41-100).... 6-5  
 KIT, FILTER REPLACEMENT, 3/8" (P32-100).... 6-5  
 KIT, FILTER REPLACEMENT, 3/8" (P41-100).... 6-5  
 KIT, HPS COIL ( P41-100/ P32-100)..... 6-5  
 KIT, HPS COIL (P1-900) ..... 6-5  
 KIT, MANUAL TANK VALVE-T1, 1 1/8" ..... 6-23  
 KIT, MANUAL TANK VALVE-T2, 3/4" ..... 6-23  
 KIT, PISTON REPLACEMENT ..... 6-23  
 KIT, SOLENOID TANK VALVE-T4, 1 1/8" ..... 6-23  
 KIT, SOLENOID TANK VALVE-T5, 3/4" ..... 6-23  
 KIT, STRAIGHT TANK VALVE-T6, 1 1/8" ..... 6-23  
 KIT, VENT..... 6-27

**L**

LABEL, "AUTHORIZED MECHANIC" ..... 6-29  
 LABEL, "CAUTION: HIGH PRESSURE" ..... 6-29  
 LABEL, "MANUAL SHUTOFF" ..... 6-29  
 LABEL, "NO WELDING" ..... 6-29  
 LABEL, "USE GASOLINE EVERY 60 DAYS" ..... 6-29  
 LABEL, "WARNING: TANK SHUTOFF" ..... 6-29  
 LABEL, CNG DIAMOND..... 6-29  
 LABEL, CNG FUELED VEHICLE..... 6-29  
 LABEL, CYLINDER INSPECTION ..... 6-29  
 LABEL, DASHBOARD SWITCH ..... 6-29  
 LABEL, EMISSIONS ..... 6-29  
 LABEL, GFI NATURAL GAS, 3 3/4" x 1 1/2" ..... 6-29  
 LABEL, TANK INSPECTION DATE ..... 6-29  
 LABEL, VACUUM DIAGRAM..... 6-29  
 LABEL, TANK IDENTIFICATION ..... 6-29

**M**

MANUAL, INSTL & SERVICE, GFI ..... 6-27  
 MANUAL, OWNER'S, GFI ..... 6-27  
 MOUNTING TOOL, MANUAL VALVE ..... 6-27  
 MOUNTING TOOL, SOLENOID VALVE..... 6-27

**N**

NIPPLE, HEX, 1/4" MNPT ..... 6-21  
 NUT AND FERRULE SET, 1/4"..... 6-21  
 NUT AND FERRULE SET, 3/8"..... 6-21

**P**

PLUG, 1/4" MNPT..... 6-21  
 PLUG, 3/8" MNPT..... 6-21  
 PLUG, DARK RED ..... 6-13  
 PLUG, DRAIN ..... 6-3  
 PLUG, GREEN ..... 6-13  
 PLUG, OUTLET PORT..... 6-23  
 PRESSURE RELIEF DEVICE, CG9 ..... 6-23  
 PRESSURE RELIEF DEVICE, CG5 ..... 6-23

**R**

RECEPTACLE, FILL, 1/4" TUBE ..... 6-21  
 RECEPTACLE, FILL, 3/8" TUBE ..... 6-21  
 REGULATOR, STANDARD..... 6-5  
 REGULATOR, HEAVY DUTY ..... 6-5  
 REGULATOR, GFI I REMAN ..... 6-5  
 RELAY, 12V, 30 AMP ..... 6-17  
 RELAY, SPDT ..... 6-18  
 RIBBED HOSE ..... 6-23

**S**

SADDLE, BULKHEAD CONNECTOR..... 6-15  
 SEAL, BULKHEAD CONNECTOR ..... 6-15  
 SENSOR, FSP ..... 6-5  
 SENSOR, IAT ..... 6-19  
 SENSOR, MST..... 6-19  
 SENSOR, OXYGEN, HEATED 3 WIRE ..... 6-19  
 SHIELD, DUAL IN-BED TANK..... 6-25  
 SHIELD, INTERIOR TANK ..... 6-25  
 SHIELD, SINGLE IN-BED TANK ..... 6-25  
 SOCKET, THIN WALL..... 6-27  
 SOLDER SLEEVE..... 6-15  
 SOLUTION, LEAK REACTANT..... 6-24  
 SPRAY BAR KIT ..... 6-9  
 SPRAY DISK KIT ..... 6-9  
 STUD, SHOCK MOUNT..... 6-7

**T**

TEE, COOLANT..... 6-10  
 TEE, VACUUM ..... 6-11  
 TERMINAL..... 6-17  
 TUBE CUTTER ..... 6-27  
 TUBE, BENDER..... 6-27  
 TUBE, VACUUM DAMPER..... 6-11

**U**

UNION, 1/4" TUBE..... 6-21  
 UNION, 3/8" TUBE ..... 6-21  
 UNION, 3/8" TUBE x 1/4" TUBE..... 6-21  
 UNION, BULKHEAD, 1/4" TUBE ..... 6-21  
 UNION, BULKHEAD, 3/8" TUBE ..... 6-21  
 UNION, BULKHEAD, 1/4" TUBEx 1/4"MNPT .. 6-21  
 UNION, BULKHEAD, 1/4" TUBEx 1/4"FNPT.... 6-21

**V**

VALVE, BALL, 1/4" FNPT..... 6-21  
 VALVE, BALL, 3/8" TUBE ..... 6-21  
 VALVE, CHECK , 1/4" MNPT ..... 6-21  
 VALVE, CHECK , 1/4" FNPT ..... 6-21  
 VALVE, CHECK, 3/8" TUBE ..... 6-21

**W**

WARRANTY & TIME/LABOR STDS, GFI..... 6-27  
 WARRANTY CLAIM FORM, GFI..... 6-27  
 WASHER, SEALING, COPPER ..... 6-9, 6-23

**Y**

Y SPLITTER..... 6-9

## 6.19 INDEX BY PART NUMBER

05208-T.....	6-27	A1-112.....	6-18	GFIP010.....	6-27
05326-TB.....	6-27	A1-131.....	6-19	GFIP015.....	6-27
05473-T.....	6-27	A1-132.....	6-19	GFIP042.....	6-27
A00085.....	6-7	A1-133.....	6-19	GFIP045.....	6-27
A00085.....	6-15	A1-134.....	6-15	GFIP046.....	6-27
A00085.....	6-19	A1-165.....	6-24	GFIP070.....	6-27
A00087.....	6-5	A1-193.....	6-15	HX-2012.....	6-15
A00087.....	6-15	A1-198.....	6-15	L1-103.....	6-29
A00087.....	6-19	A1-199.....	6-15	L1-104.....	6-29
A00130.....	6-5	A1-201.....	6-15	L1-105.....	6-29
A00136.....	6-3	A1-202.....	6-15	L1-106.....	6-29
A00136.....	6-5	A1-202.....	6-17	L1-107.....	6-29
A00136.....	6-23	A1-203.....	6-15	L1-119.....	6-29
A00140.....	6-5	A1-209.....	6-17	L1-133.....	6-29
A00144.....	6-3	A1-209.....	6-18	L1-135.....	6-29
A00144.....	6-5	A1-245.....	6-17	L1-136.....	6-29
A00144.....	6-23	A1-272.....	6-7	L1-147.....	6-29
A00146.....	6-3	A1-282.....	6-7	L1-183.....	6-29
A00146.....	6-23	A1-301.....	6-7	L1-201.....	6-29
A00383.....	6-15	A1-346.....	6-24	L1-215.....	6-29
A00425.....	6-7	A1-376.....	6-7	L1-216.....	6-29
A00429.....	6-15	A1-377.....	6-7	N1-125.....	6-7
A00431.....	6-5	A1-378.....	6-15	N1-132.....	6-7
A00431.....	6-7	A1-391.....	6-7	N1-133.....	6-7
A00431.....	6-15	A1-403.....	6-24	N1-185.....	6-27
A00432.....	6-18	A1-408.....	6-24	N12010300.....	6-13
A00434.....	6-7	A1-412.....	6-3	N12010996.....	6-13
A00434.....	6-15	A1-413.....	6-3	N12010996.....	6-17
A00434.....	6-18	A1-441.....	6-25	N12015323.....	6-13
A00435.....	6-15	A1-442.....	6-25	N12015323.....	6-17
A00435.....	6-19	A1-450.....	6-24	N12015791.....	6-13
A00437.....	6-5	A1-474.....	6-17	N12015791.....	6-17
A00452.....	6-15	A1-540.....	6-17	N12015899.....	6-5
A00452.....	6-17	A1-541.....	6-17	N12020830.....	6-13
A00456.....	6-18	A1-543.....	6-18	N12020830.....	6-17
A00460.....	6-17	A1-579.....	6-19	N12020832.....	6-13
A00461.....	6-17	A1-593.....	6-7	N12034003.....	6-17
A00465.....	6-15	A1-682.....	6-7	N12034003.....	6-18
A00465.....	6-17	A1-702.....	6-23	N12045773.....	6-5
A00465.....	6-18	A1-741.....	6-7	N12045773.....	6-13
A00477.....	6-7	A1-742.....	6-23	N12047933.....	6-13
A00477.....	6-15	A1-848.....	6-25	N12047936.....	6-13
A00481.....	6-15	A1-947.....	6-25	N12047938.....	6-13
A00481.....	6-17	A2-102P.....	6-15	N12048074.....	6-13
A00482.....	6-5	A2-103P.....	6-7	N12048074.....	6-17
A00482.....	6-15	A2-103P.....	6-17	N12048087.....	6-13
A00482.....	6-17	A2-106P.....	6-29	N12048087.....	6-17
A00482.....	6-19	A2-180.....	6-3	N12052225.....	6-17
A00484.....	6-7	A2-181.....	6-3	N12052480.....	6-5
A00545.....	6-5	A2-192.....	6-3	N12052600.....	6-13
A00545.....	6-15	A3-107.....	6-9	N12052634.....	6-13
A00565.....	6-5	B13239.....	6-29	N12052634.....	6-17
A1-107.....	6-17	B13248.....	6-29	N12052644.....	6-13
A1-111.....	6-17	B13947.....	6-29	N12052644.....	6-17
A1-111.....	6-18	B13953.....	6-29	N12052648.....	6-13
A1-112.....	6-17	GFIP007.....	6-27	N12052844.....	6-13



N12052845.....	6-13	NC12564.....	6-21	NZ02312.....	6-10
N12052848.....	6-13	NC12646.....	6-21	NZ03007.....	6-19
N12052849.....	6-13	NC12664.....	6-21	NZ03654.....	6-11
N12052850.....	6-13	NC12860.....	6-21	NZ03906.....	6-11
N12059168.....	6-13	NC13464.....	6-21	NZ03908.....	6-11
N12066304.....	6-5	NC13804.....	6-21	NZ03932.....	6-11
N12089040.....	6-13	NC13806.....	6-21	NZ03954.....	6-11
N12089040.....	6-17	NC13904.....	6-21	NZ04001.....	6-10
N12089045.....	6-13	NC13906.....	6-21	NZ04002.....	6-10
N12089045.....	6-17	NC15140.....	6-21	NZ04428.....	6-21
N12089188.....	6-13	NC15244.....	6-21	NZ04430.....	6-21
N12089188.....	6-17	NC15364.....	6-21	NZ10114.....	6-9
N12089678.....	6-13	NC20784.....	6-21	P1-124P.....	6-5
N12089678.....	6-17	NC21340.....	6-21	P1-900.....	6-5
N12110293.....	6-13	NC21544.....	6-21	P2-101P.....	6-24
NA10205.....	6-17	ND01308.....	6-9	P32-100.....	6-5
NA10207.....	6-17	ND01508.....	6-9	P41-100.....	6-5
NA20332.....	6-9	ND04601.....	6-11	R1-115.....	6-5
NA20358.....	6-9	ND04601.....	6-24	R1-116.....	6-5
NA20371.....	6-9	ND04604.....	6-24	R1-117.....	6-24
NC01205.....	6-21	ND04606.....	6-10	R1-127.....	6-23
NC01206.....	6-21	ND04606.....	6-24	R1-128.....	6-23
NC02206.....	6-21	ND04608.....	6-9	T1-110.....	6-23
NC02209.....	6-21	ND04608.....	6-24	T1-111.....	6-23
NC02714.....	6-21	ND04612.....	6-9	T1-125.....	6-23
NC02726.....	6-21	ND04612.....	6-24	T1-131.....	6-23
NC02744.....	6-21	ND10108.....	6-9	T1-134.....	6-23
NC03804.....	6-21	ND10148.....	6-9	T1-135.....	6-23
NC05144.....	6-21	ND10198.....	6-9	T1-136.....	6-23
NC05156.....	6-21	NG-132.....	6-5	T1-145.....	6-23
NC10144.....	6-21	NG-134.....	6-5	T1-146.....	6-23
NC10145.....	6-21	NG-152.....	6-23	T1-146.....	6-24
NC10146.....	6-21	NG-165.....	6-23	T1-147.....	6-23
NC10150.....	6-21	NG-196.....	6-23	T1-148.....	6-23
NC10151.....	6-21	NG-197.....	6-23	T4-138.....	6-23
NC10244.....	6-21	NG-198.....	6-23	V1-141P.....	6-11
NC10266.....	6-21	NG-254.....	6-5	V1-142P.....	6-19
NC10344.....	6-21	NG-255.....	6-5	V1-157.....	6-15
NC10844.....	6-21	NT10114.....	6-27	V1-208.....	6-15
NC11144.....	6-21	NT10124.....	6-27	V4-101P.....	6-15
NC11145.....	6-21	NT10134.....	6-27	V4-105P.....	6-15
NC11244.....	6-21	NT10135.....	6-27	V9-100.....	6-7
NC11245.....	6-21	NT10144.....	6-27	V9-111.....	6-15
NC11344.....	6-21	NT10163.....	6-27	V9-115.....	6-15
NC11345.....	6-21	NT10164.....	6-27	V9-132.....	6-17
NC11460.....	6-21	NT10169.....	6-27	V9-133.....	6-17
NC12244.....	6-21	NT10174.....	6-27	V9-137.....	6-15
NC12245.....	6-21	NT10194.....	6-27	V9-145.....	6-15
NC12444.....	6-21	NT20232.....	6-27	V9-145.....	6-18
NC12466.....	6-21	NZ02310.....	6-10		