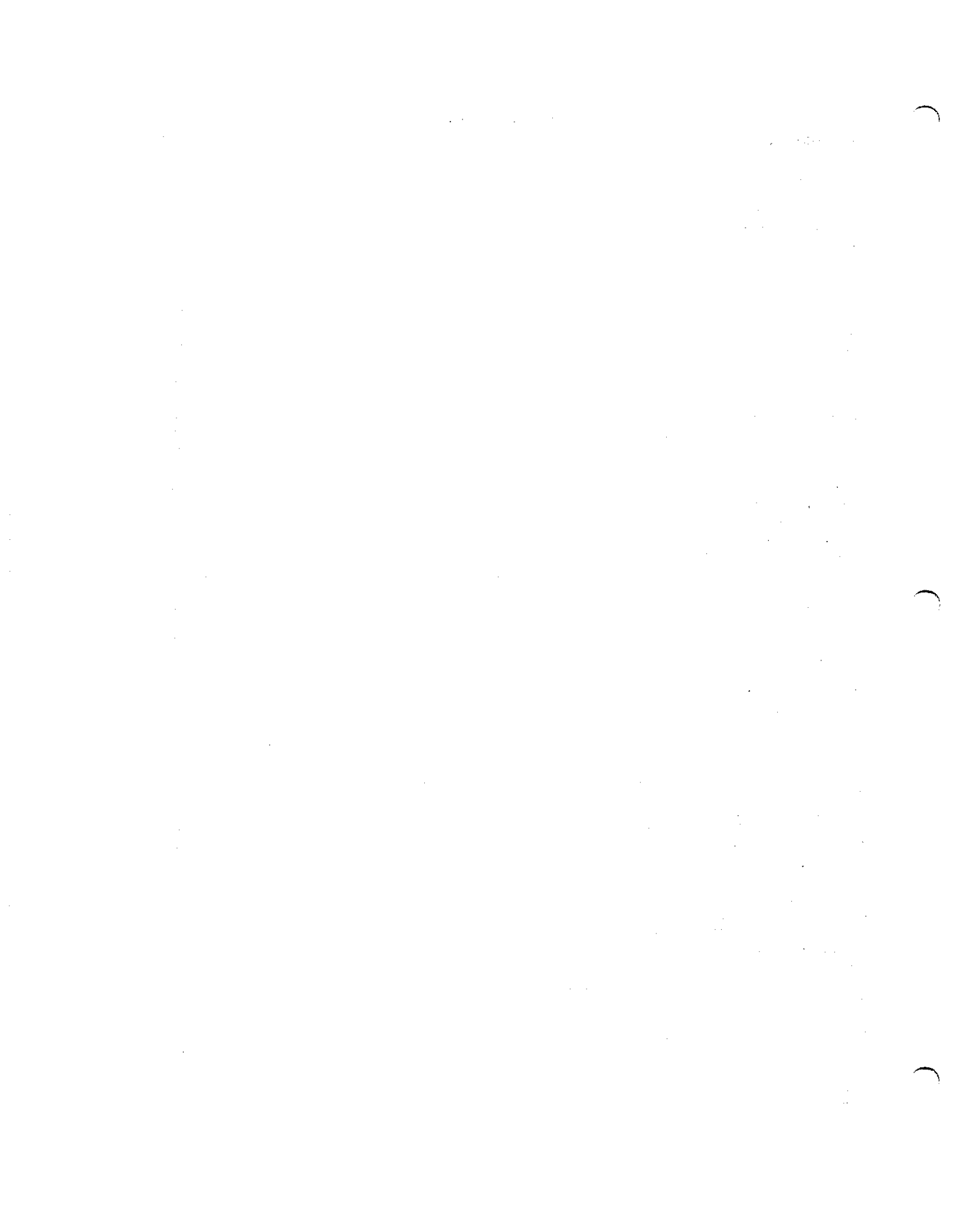


TABLE of CONTENTS

DESCRIPTION	PAGE
Introduction and VIN Numbers	1
Decals	2
Frame and Attachments	4
Suspension, Front Wheel	6
Steering Assembly	8
<hr/>	
Panels and Shields	10
Cargo Box Assembly	12
Trunk Assembly	14
Brakes, Hydraulic	16
Front Brake Caliper	18
<hr/>	
Brakes, Emergency	20
Heater	22
Electrical Assembly	24
Dash Gauges and Switches with Windshield Wiper	26
Rear Suspension	28
<hr/>	
Engine Attachments	30
Cylinder Head and Cover	32
Cylinder Block	34
Oil Pan and Timing Belt	36
Piston, Crankshaft & Flywheel	38
<hr/>	
Valve System	40
Intake Manifold	42
Exhaust Manifold	44
Fuel Distributor	46
Air Cleaner	48
<hr/>	
Emission Control System, Inlet Side	50
Oil Pump and Filter	52
Cooling System	54
Distributor	56
Alternator	58
<hr/>	
Starter	60
Engine Electrical System	62
Torque Converter, Oil Pump and Piping	64
Governor, Low and Reverse Gear	68
Control Valve	70
<hr/>	
Gasket and Seal Kit	72
Clutches and Planetary Gears	74
Transmission Case and Main Control System	76
Manual Linkage System	78
Transmission Piping and Attachments	80
<hr/>	
Transmission Cable and Shifter	82
Accelerator Pedal and Cable	84
Fuel & Emissions Systems - Intake	86
Exhaust System	88
Drive Axles	90
Window, Seat and Seat Belt	92
Options	94



INTRODUCTION

This manual contains a parts list for you GO-4. It is divided into major sections which correspond to the groups shown in the Table of Contents and the accompanying illustration.

The first page of each major section lists the contents of that section, each of which consists of exploded views and related tabular listings.

WHEN ORDERING PARTS

Always give your dealer the Model and the Serial Number of the your machine to assist him in ordering and obtaining the correct parts. Use the exploded view and tabular listings of the area of interest to exactly identify the required part.

USING THE MANUAL

Parts data consists of exploded view illustrations and the associated parts list tables which are read as follows:

ITEM The item number is the identifier number from the illustration. For example, number 3 on an illustration points to a component which is item 3 on the accompanying page.

PART NUMBER The part number is the 4 digit number by which the component may be identified and ordered from WhiteBear Sales.

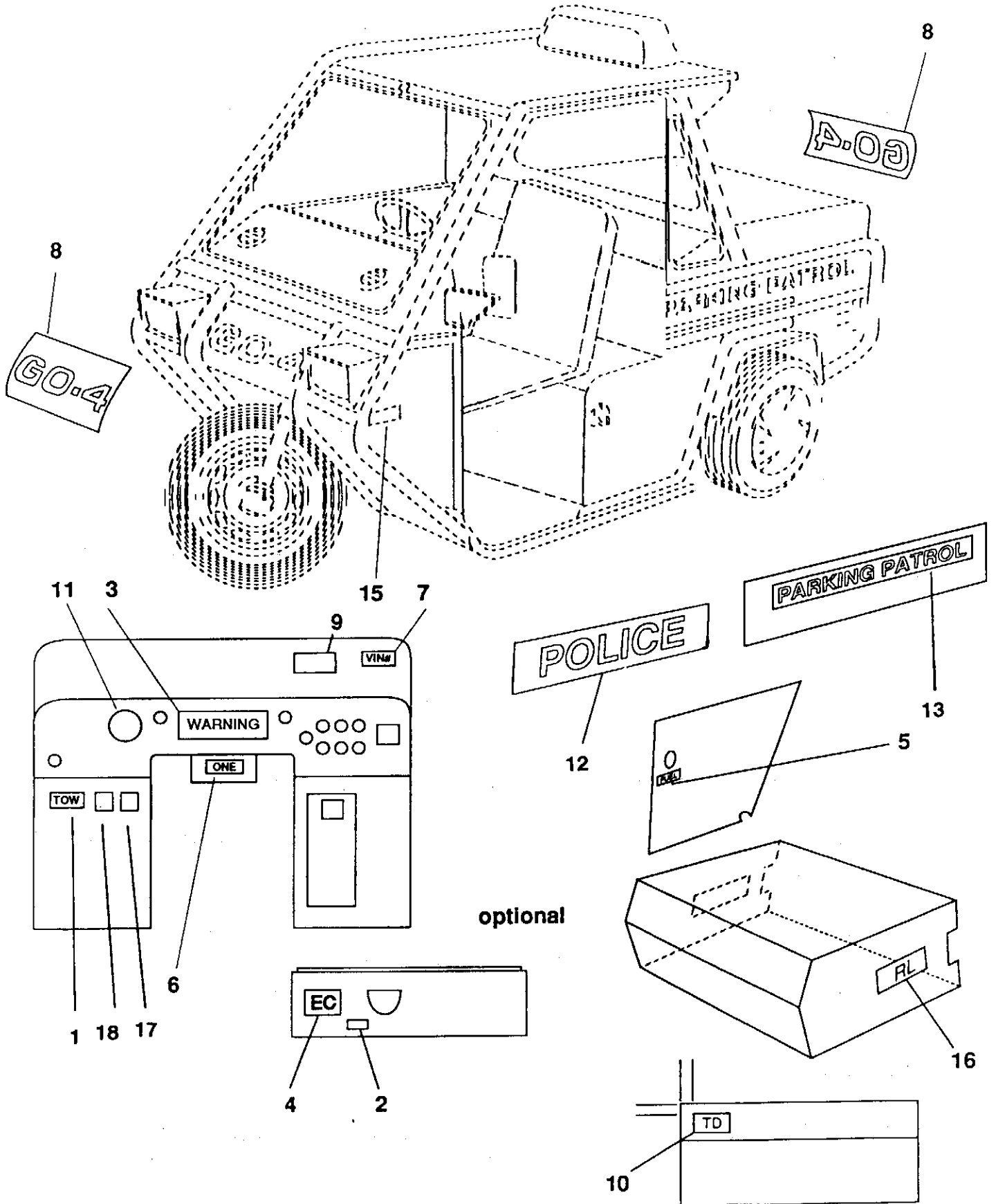
DESCRIPTION This column contains the name and the description of the part.

QUANTITY This column shows the quantity of each part used on the component for the model listed on the top. The abbreviation A/R means the quantity is As Required, RP means Repair Parts.

VIN NUMBER _____

PARTS BOOK is EFFECTIVE for the following SERIAL NUMBERS
_____ **to** _____

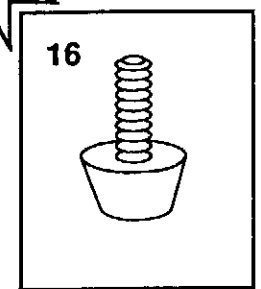
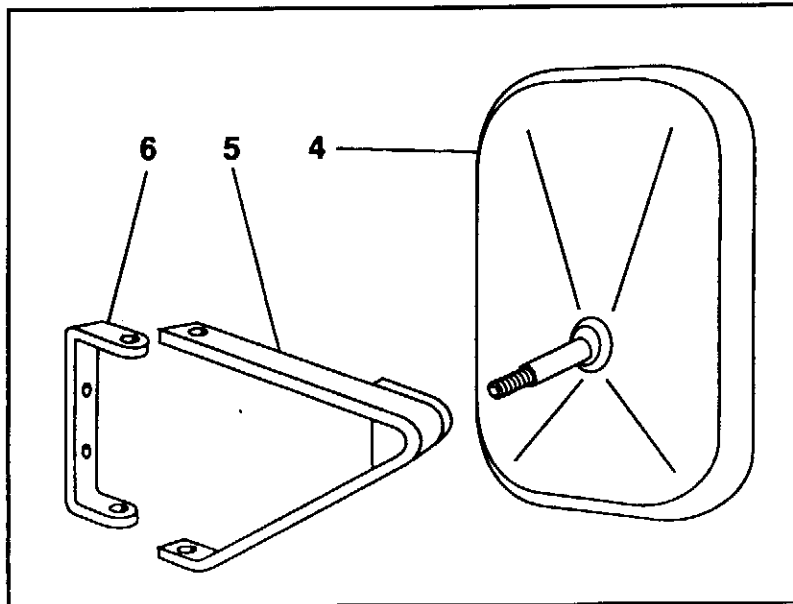
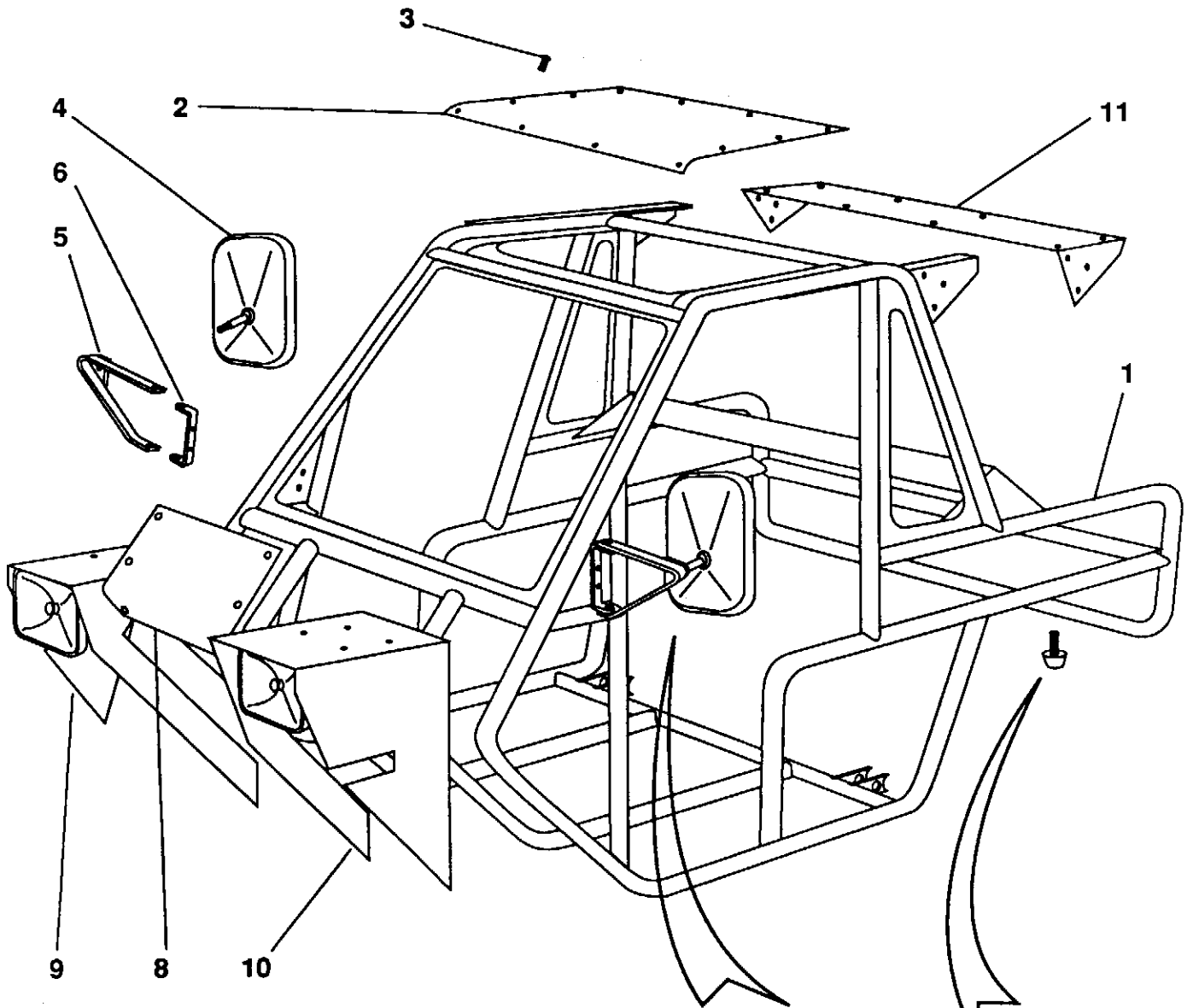
DECALS



DECALS

p.3

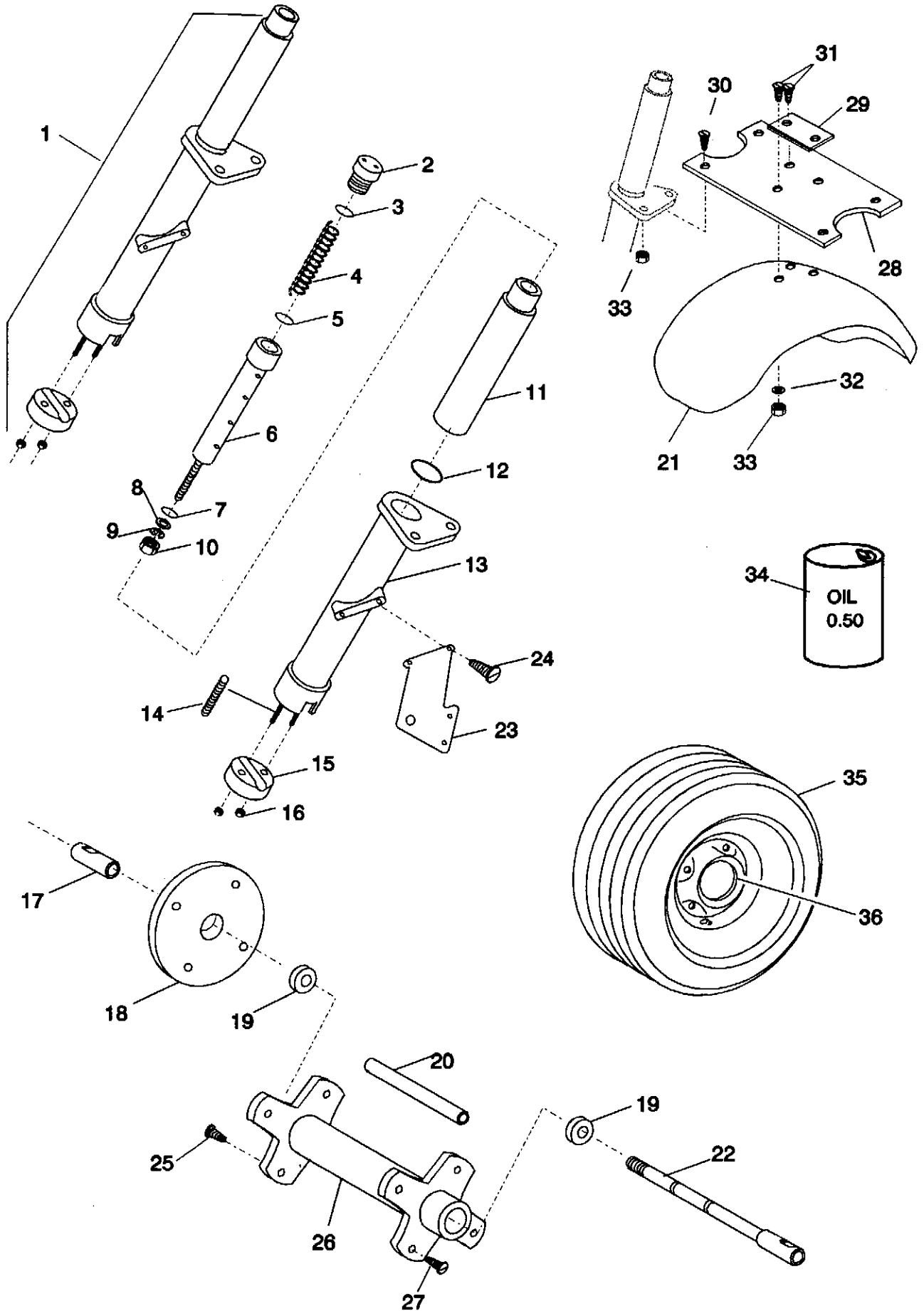
REF.	PART NO.	DESCRIPTION	QTY
1	0035	Safety Warning	1
2	0036	Warning	1
3	0037	Safety Warning	1
4	0038	Emission Control	1
5	0043	Unleaded Fuel	1
6	0044	One Person Only	1
7	0046	VIN# Plate	1
8	1048	GO-4 Decal	1
9	1879	Made in Canada Decal	1
10	1050	Tire Pressure Decal	1
11	1051	Dash Decal	1
12	1551	Police	OPT
13	1552	Parking Patrol	OPT
15	1755	Reflector (Amber)	2
16	1754	Reflector (Red)	2
17	2062	Decal-Heat/Defrost	1
18	2065	Decal-Temperature	1



FRAME AND ATTACHMENTS

p.5

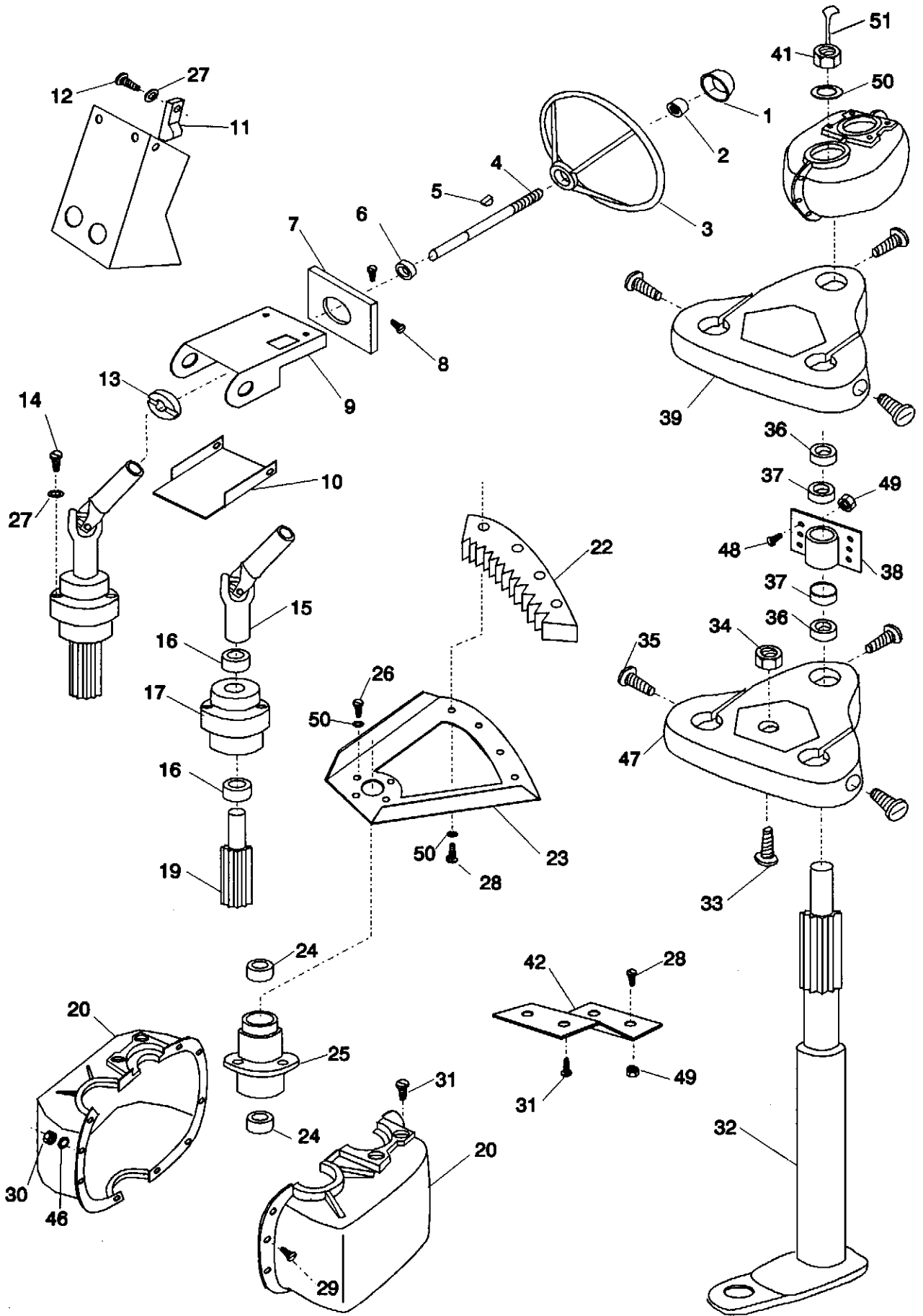
REF.	PART NO.	DESCRIPTION	QTY
1	8021	Main Frame	1
2	71229	Roof	1
3	1685	Screw	18
4	0029	Mirror	2
<hr/>			
5	1557	Bracket - Left	1
6	1561	Bracket - Mirror	2
7	1560	Bracket - Right Mirror	1
8	71212	Nose Cone	1
<hr/>			
9	9057	Right Light Cell	1
10	9056	Left Light Cell	1
11	71257	Light Bar	1
12	1035	Bolt	30
<hr/>			
13	1036	Nut	34
14	0297	Bolt	4



SUSPENSION - FRONT WHEEL

p.7

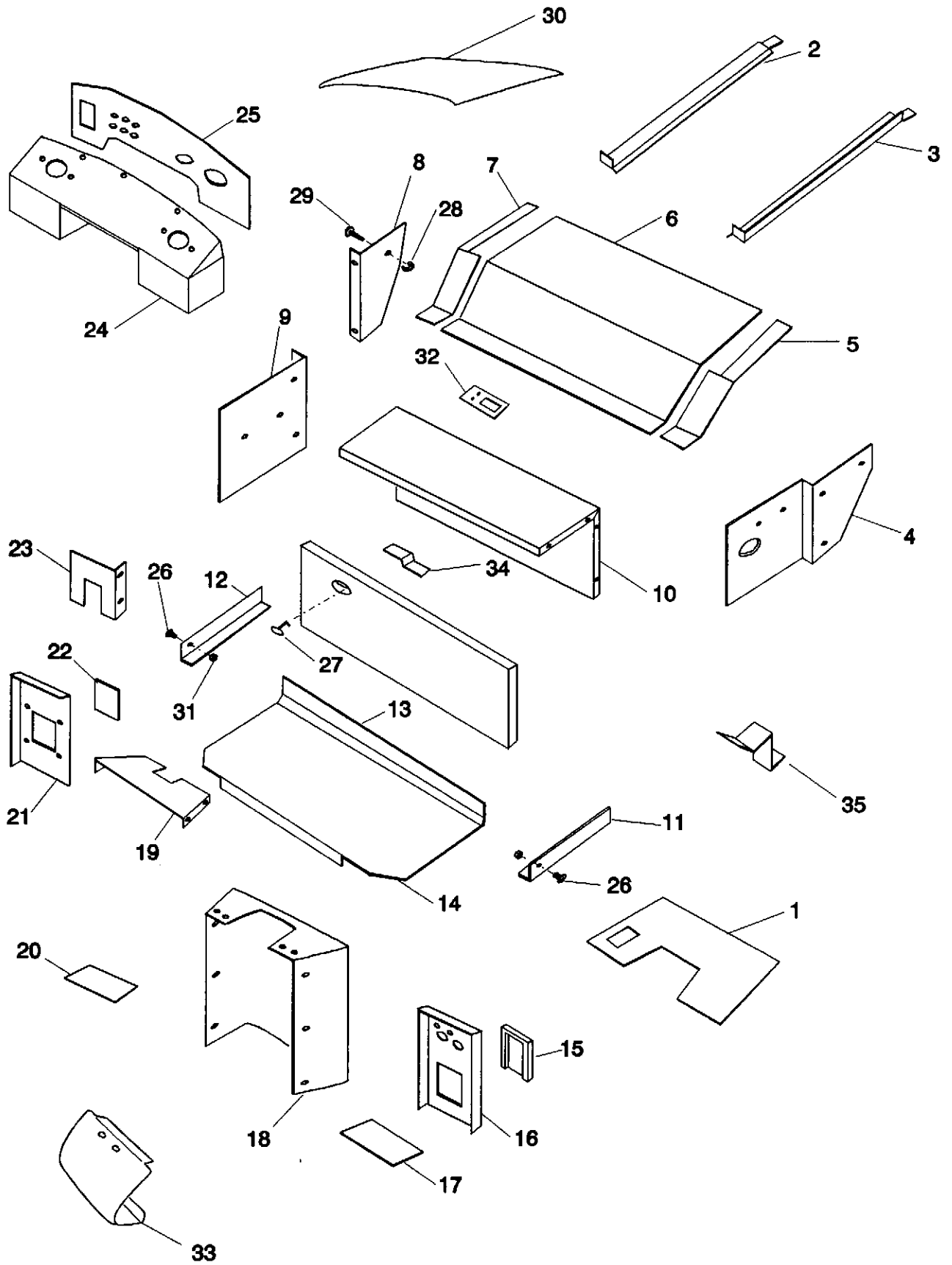
REF.	PART NO.	DESCRIPTION	QTY
1	9017	Shock Assembly	Ref
2	2248	Cap Spring	2
3	1488	O-Ring	2
4	1608	Spring	2
5	0213	O-Ring	2
6	1611	Damper	2
7	0209	O-Ring	2
8	0.324	Washer	2
9	1150	Lockwasher	2
10	1039	Nut	2
11	2258	Strut	2
12	0058	Seal	2
13	2251	Reservior	2
14	1120	Stud	RP
15	1859	Bottom, Retainers	2
16	0823	Nut	4
17	2253	Axle - End	1
18	2255	Disc, Front	1
19	2013	Ball Bearing	2
20	2038	Spacer - Front End	1
21	1437	Fender	1
22	2254	Axle, Front	1
23	1808	Brake, Holder	1
24	0818	Screw	2
25	0757	Screw	4
26	2257	Hub, Front	1
27	1079	Screw	4
28	71273	Holder, Fender	1
29	71529	Spacer, Fender	1
30	1133	Screw	4
31	1148	Screw	3
32	0324	Washer	3
33	0223	Nut	3
34	1490	Oil, (A.trans)	AR
35	0059	Tire	3
37	0998	Wheel Rim	3



STEERING ASSEMBLY

p.9

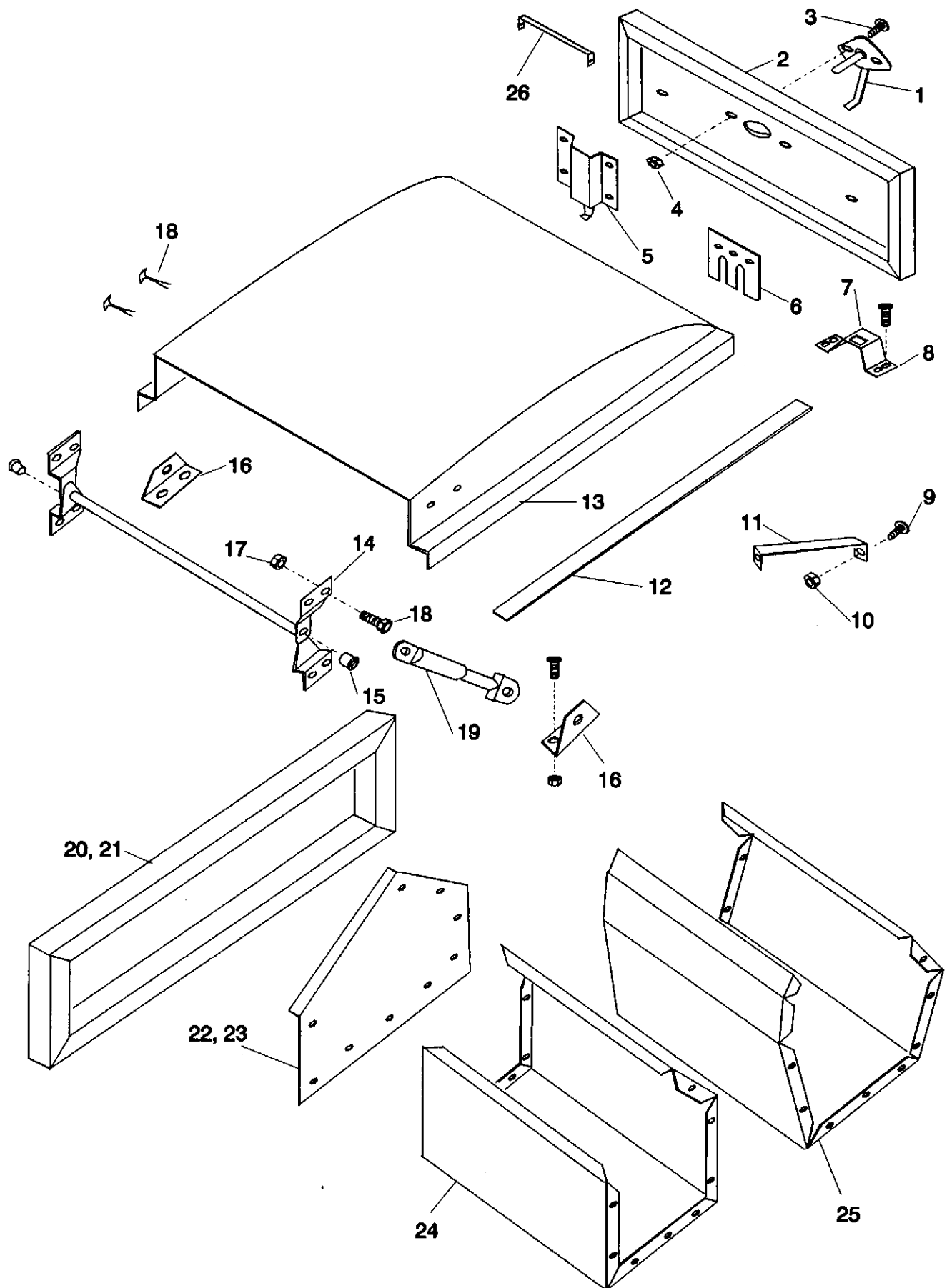
REF.	PART NO.	DESCRIPTION	QTY
1	1030	Cap, Steering Wheel	1
2	1645	Nut, Steering Wheel	1
3	0003	Steering Wheel	1
4	1180	Shaft, Steering	1
5	1682	Key, Woodruff	1
6	1157	Bearing, Steering Shaft Support	1
7	1169	Steering Pivot	1
8	1777	Screw	8
9	71167	Cover, Top	1
10	71168	Cover, Bottom	1
11	1736	Nut, clip	2
12	1982	Screw	2
13	1178	Ring, Indicator	1
14	1495	Screw	4
15	0990	Steering Joint	1
16	1157	Bearing, Pinion Support	2
17	1101	Eccentric, Steering	1
18	1179	Base, Steering	1
19	1105	Pinion, Steering	1
20	1106	Gearbox Case, assembly	1
22	2018	Rack, steering	1
23	71875	Plate, steering	1
24	1843	Bearing, steering box	2
25	1876	Pivot, (steering box)	1
26	1953	Screw	4
27	0325	Washer	4
28	0818	Screw	4
29	1495	Screw	8
30	0053	Nut	8
31	1033	Screw	2
32	2252	Shaft, steering	1
33	2363	Screw	1
34	0223	Nut	2
35	1140	Screw	6
36	0057	Cup, bearing	2
37	0056	Cone, bearing	2
38	9019	Trunion, steering support	1
39	2247	Support, upper fork	1
40	1860	Washer	1
41	1492	Nut, steering box top	1
42	1855	Brace, steering box to frame	1
47	2246	Support, upper fork	1
48	0816	Bolt	1
49	0817	Nut	1
50	0324	Lockwasher	6
51	0078	Pin	1



PANELS AND SHIELDS

p.11

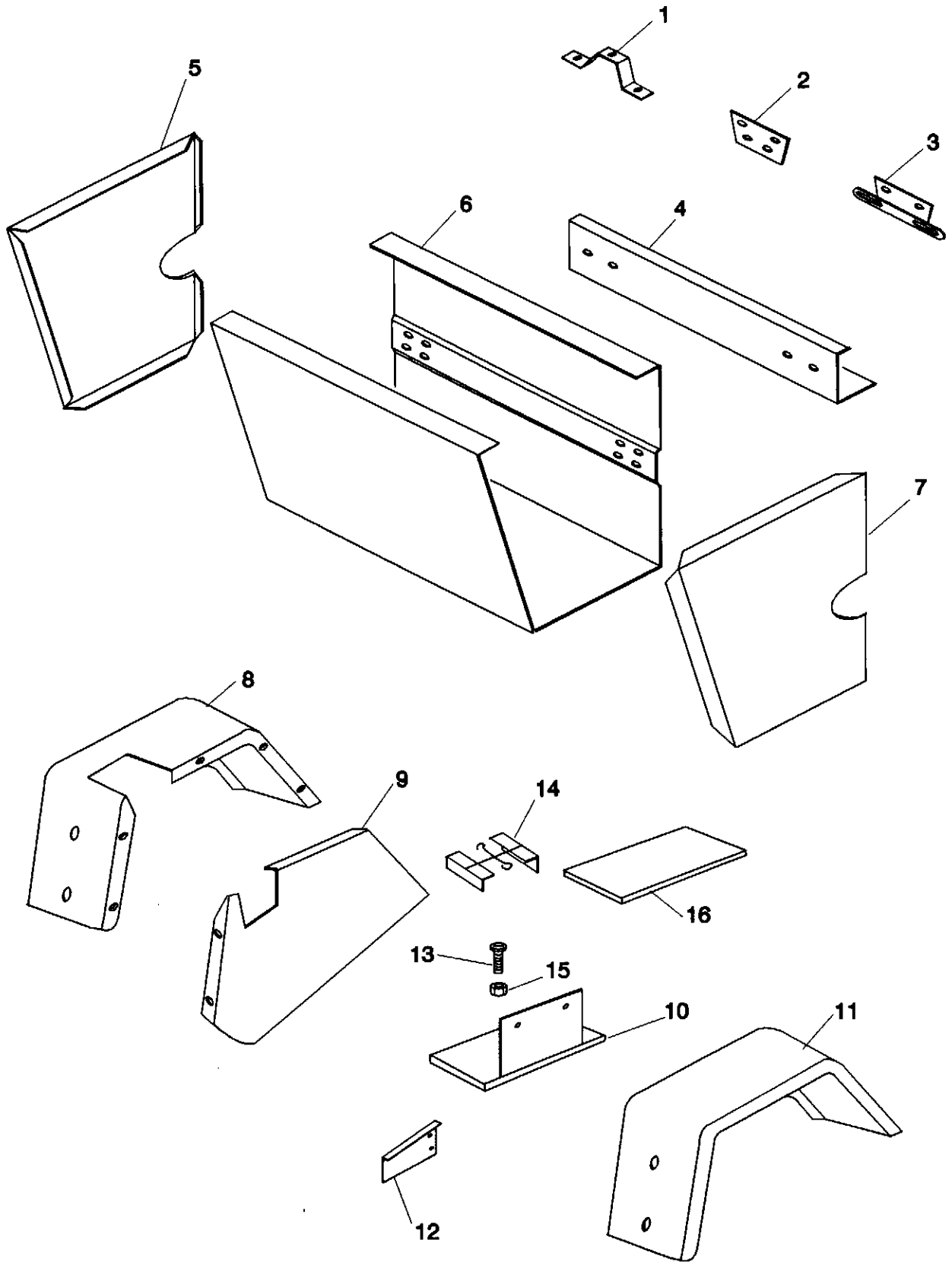
REF.	PART NO.	DESCRIPTION	QTY
1	2324	Floormat	1
2	71265	Box, rail (RH)	1
3	71264	Box, rail (LH)	1
4	2106	Panel, LH	1
5	2102	Closing, LH panel	1
6	2078	Cover	1
7	2081	Closing, RH	1
8	2377	Panel, RH front	1
9	2376	Panel - RH front	1
10	2048	Seat Panel	1
11	2155	Hinge, LH	1
12	2156	Hinge, RH	1
13	2047	Seat, front panel	1
14	2321	Floor Panel	1
15	2042	Cover, heater	1
16	2121	Panel, left light cell	1
17	2353	Closing, floor left	1
18	2250	Console	1
19	2335	Console Top	1
20	71556	Closing, floor right	1
21	71500	Panel, right light cell	1
22	71501	Panel, fuse (right)	1
23	71508	Holder, fuse	1
24	9045	Dash Assembly	1
25	71223	Dash Face	1
26	1698	Screw	1
27	0656	Keyset	1
28	1878	Clip Nut	2
29	1698	Screw	2
30	0033	Headliner	1
31	1036	Nut	2
32	2110	Bracket, fuse mount	1
33	71212	Nose Cone	1
34	2084	Clip, computer	1
35	2091	Shifter Mount	1



CARGO BOX ASSEMBLY

p.13

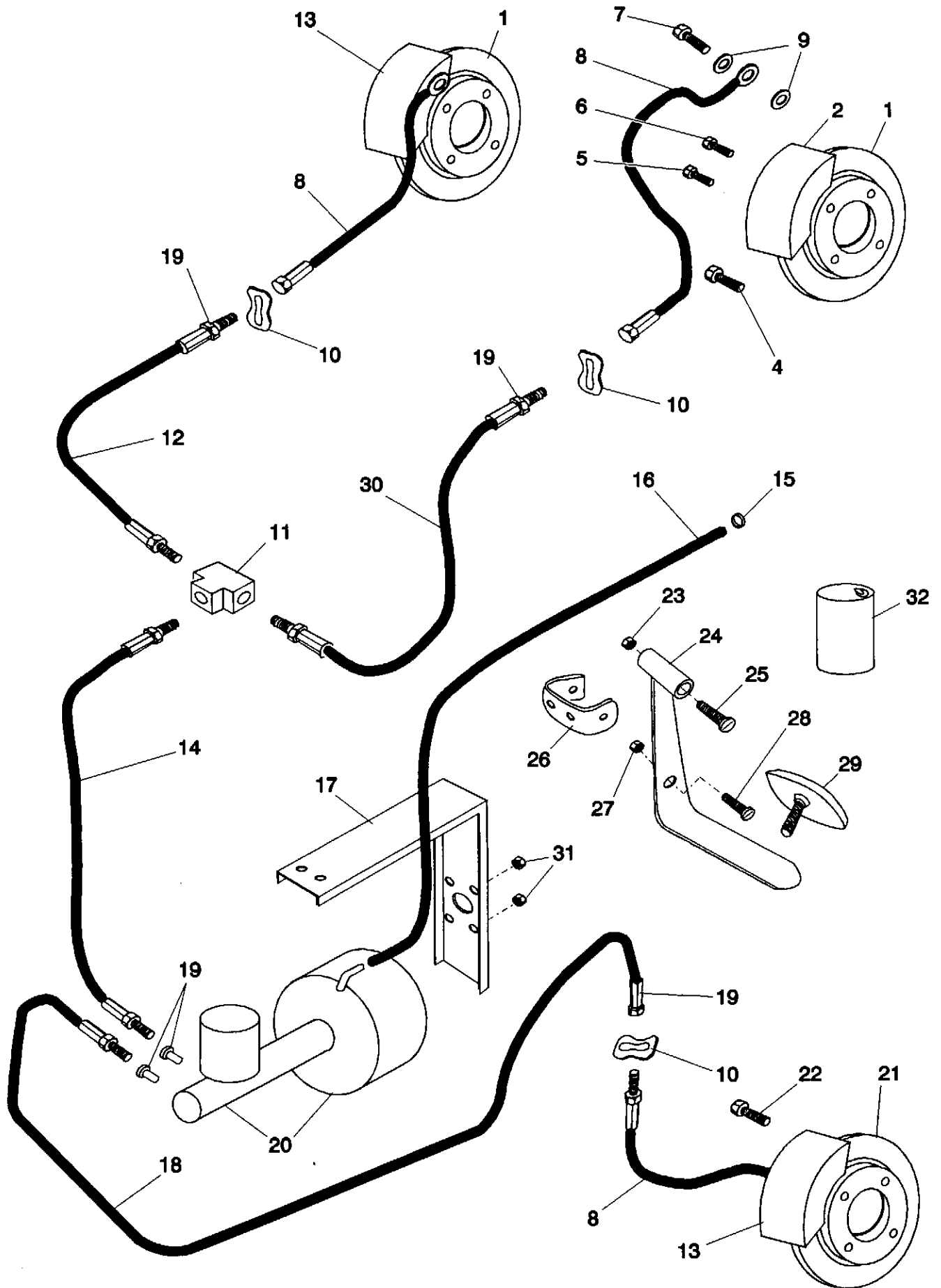
REF.	PART NO.	DESCRIPTION	QTY
1	1052	Handle, trunk	1
2	71587	Panel, rear	1
3	1777	Screw	2
4	1778	Nut,	2
5	1019	Latch	1
6	71620	Latch Guide	1
7	71623	Striker	1
8	1463	Screw	4
9	1698	Screw	4
10	1036	Nut	4
11	1588	Trunk Brace, RH	1
12	2386	Seal	2
13	2256	Lid, Cargo	1
14	2162	Hinge Assembly	1
15	1469	Bushing, round	2
16	71387	Brace, hinge bottom	2
17	0819	Nut, Gas Spring	4
18	1008	Stud, Gas Spring	4
19	1007	Gas Spring	2
20	71370R	Panel, trunk side, RH	1
21	71370L	Panel, trunk side, LH	1
22	71369	Panel, inner trunk, RH	1
23	71368	Panel, inner trunk, LH	1
24	71372	Box, front storage	1
25	71379	Box, middle storage	1
26	1589	Trunk Brace, LH	1



TRUNK ASSEMBLY

p.15

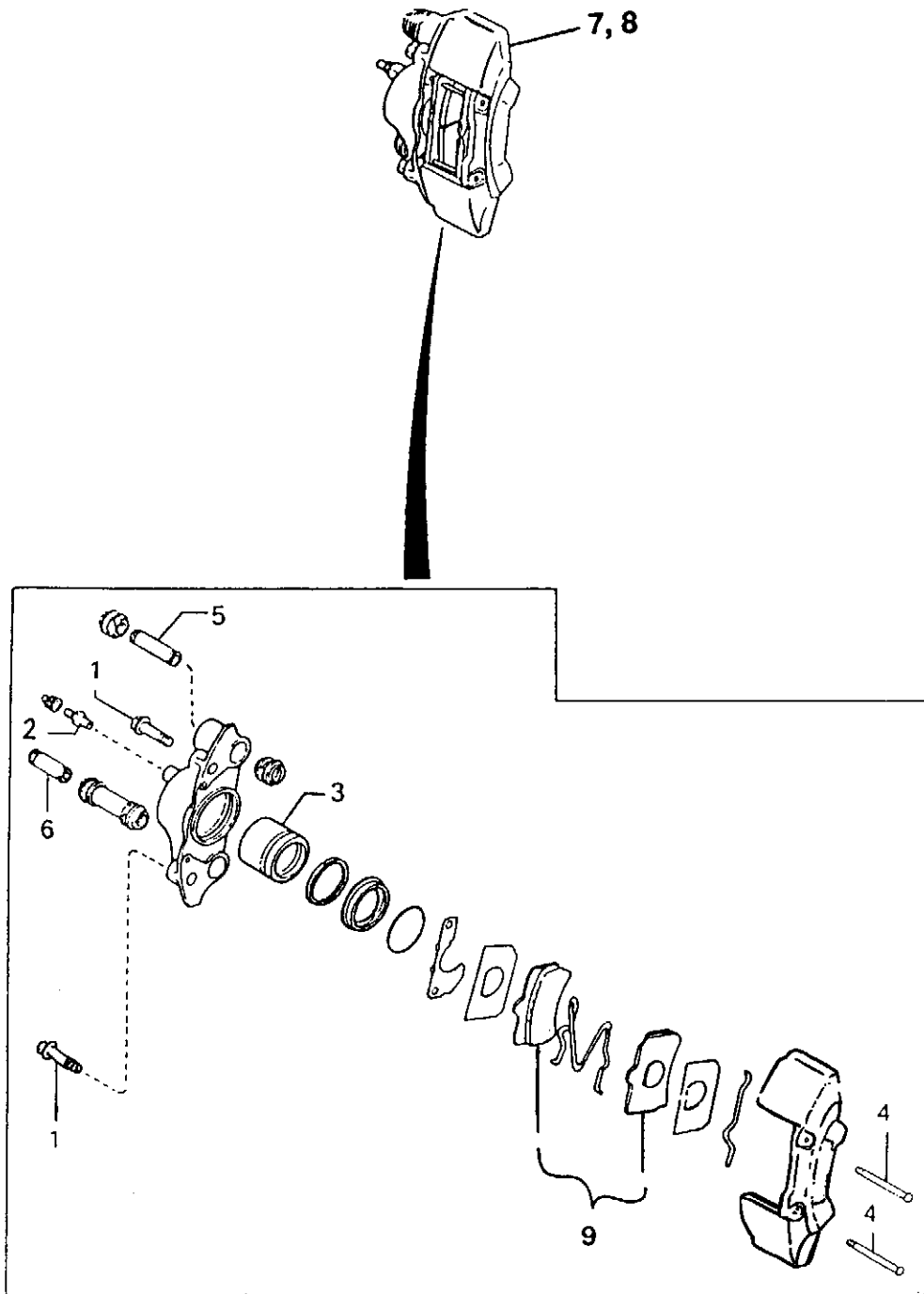
REF.	PART NO.	DESCRIPTION	QTY
1	71623	Striker, trunk lid	1
2	1643	Bracket, license holder	1
3	0076	Bracket, license plate	1
4	71526	Panel, electrical cover	1
5	71375	End, trunk RH	1
6	71373	Trunk Panel	1
7	71374	End, trunk LH	1
8	1726	Fender, right	1
9	2109	Splash Panel	1
10	2071	Battery Box	1
11	1725	Fender, left	1
12	71284	Support, battery box	1
13	1672	Screw	1
14	1671	Battery Retainer	1
15	0971	Nut	1
16	1625	Battery Pad	1



BRAKES - HYDRAULIC

p.17

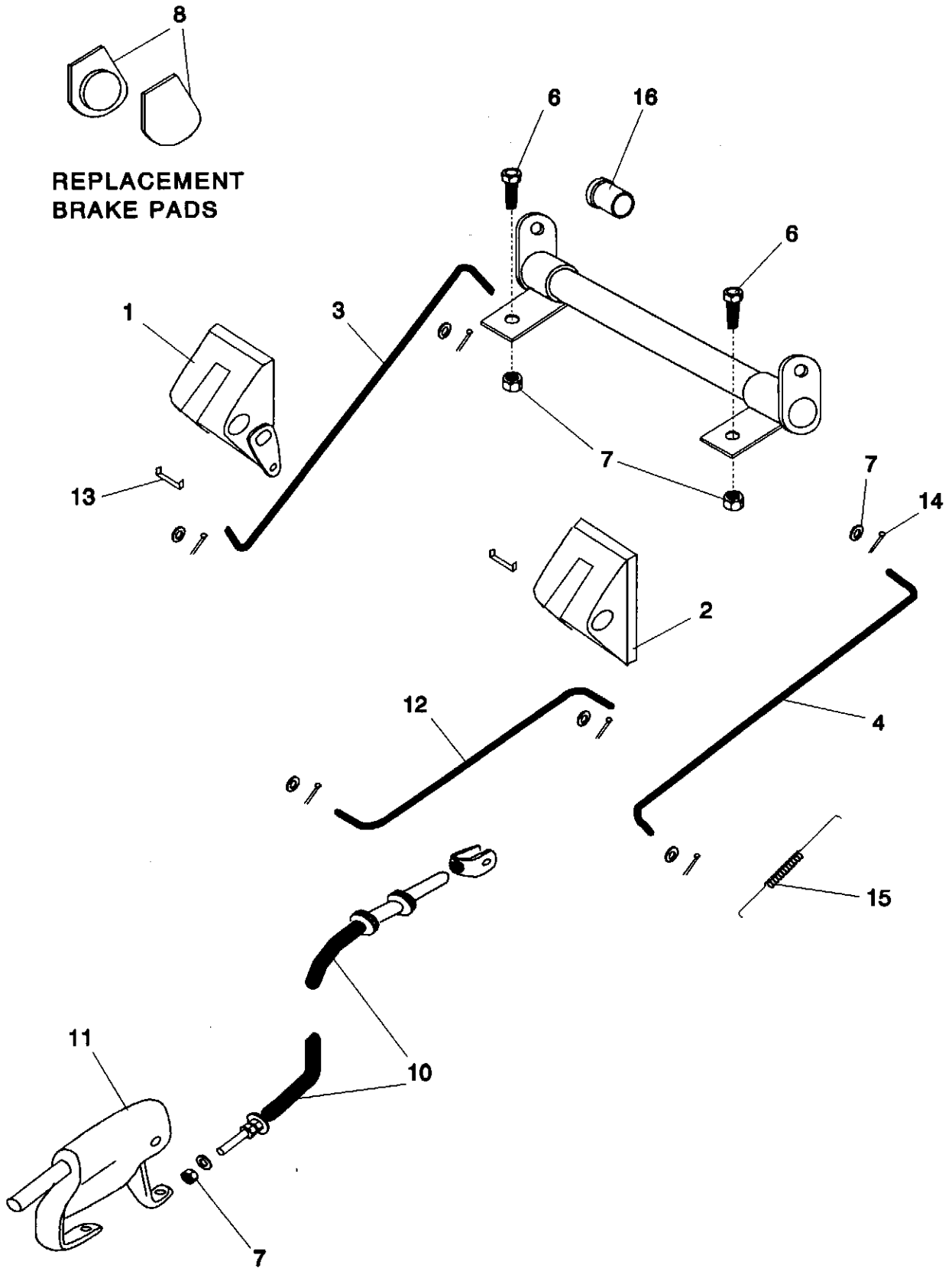
REF.	PART NO.	DESCRIPTION	QTY
1	0756	Disc, Brake	2
2	0762	Caliper Assembly, L	1
4	0757	Screw	8
5	0759	Screw	2
6	0760	Screw	2
7	0937	Bolt, banjo	3
8	0938	Brake Line, right	3
9	0935	Washer, copper	6
10	0936	Clip, brake line	3
11	1076	T-fitting	1
12	2133	Brake Line, front	1
13	0761	Caliper Assembly, R	1
14	2130	Brake Line, front to rear	1
15	2165	Clamp	2
16	1733	Vacuum, Hose	1
17	8001	Cylinder Mount	1
18	2132	Brake Line, front	1
19	2069	Adapter	5
20	1078	Master Cylinder	1
21	2255	Disc, front	ref
22	0757	Bolt (front caliper)	4
23	0223	Nut	4
24	1887	Pedal Arm	1
25	1683	Screw	1
26	1320	Mount	1
27	0819	Nut	1
28	1684	Screw	1
29	0771	Brake Pedal Pad	1
30	2131	Brake Line, left rear	1
31	1736	Nut	2
32	1491	Brake Fluid	(AR)



FRONT BRAKE CALIPER COMPONENTS

p.19

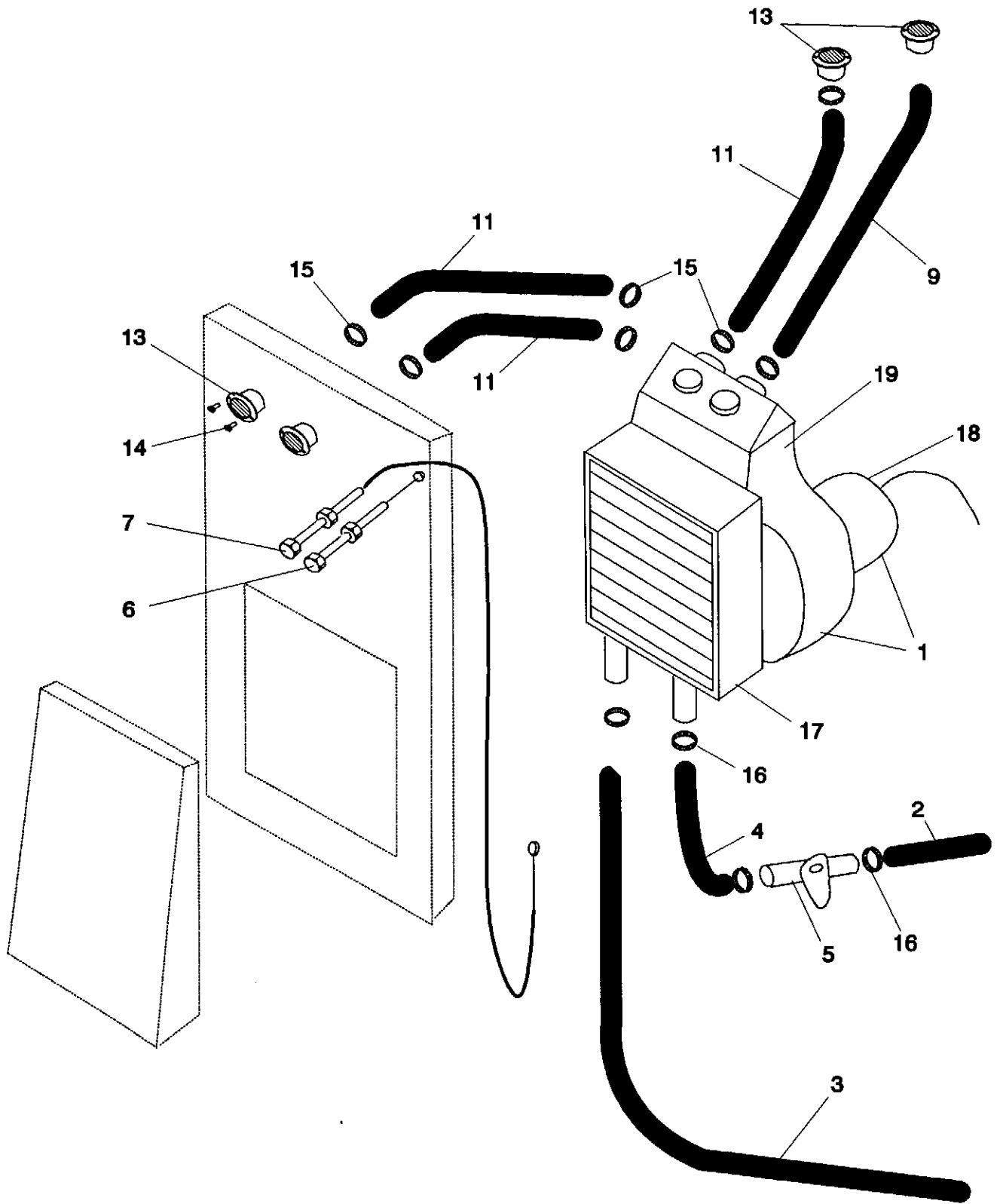
REF.	PART NO.	DESCRIPTION	QTY
1	0763	Bolt, Bridge - F.Brake	4
2	0764	Screw, Air Bleeder	2
3	0765	Piston, Front Caliper	2
4	0766	Pin, Pad - Front Brake	4
<hr/>			
5	0767	Sleeve, Main - F. Caliper	2
6	0768	Sleeve, Sub - F. Caliper	2
7	0761	Caliper R.H.	RP
8	0762	Caliper L.H.	RP
<hr/>			



BRAKES - EMERGENCY

p.21

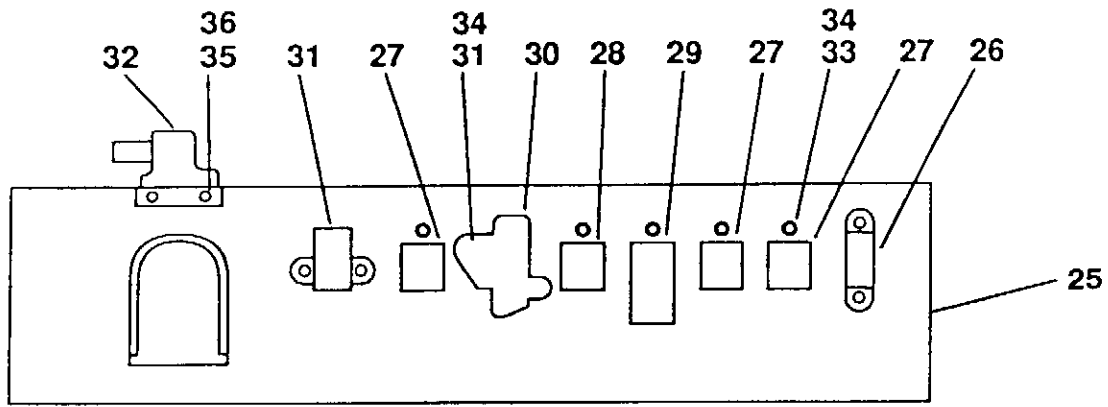
REF.	PART NO.	DESCRIPTION	QTY
1	0050	Brake - Right Emergency	1
2	0051	Brake - Left Emergency	1
3	2112	Rod, connecting R	1
4	2113	Rod, connecting L	1
<hr/>			
5	2430	Tube, Parkbrake Assembly	1
6	1735	Screw	2
7	1036	Nut	2
8	1020	Brake Pad, (Replacement)	(AR)
<hr/>			
9	1689	Washer	6
10	1509	Emergency Cable	1
11	0940	Actuator, Emergency	1
12	2114	Connector Link	1
<hr/>			
13	2265	Shim (holding)	2
14	1699	Cotter pin	2
15	1774	Return Spring	1
16	1469	Arm Bushing	2
<hr/>			



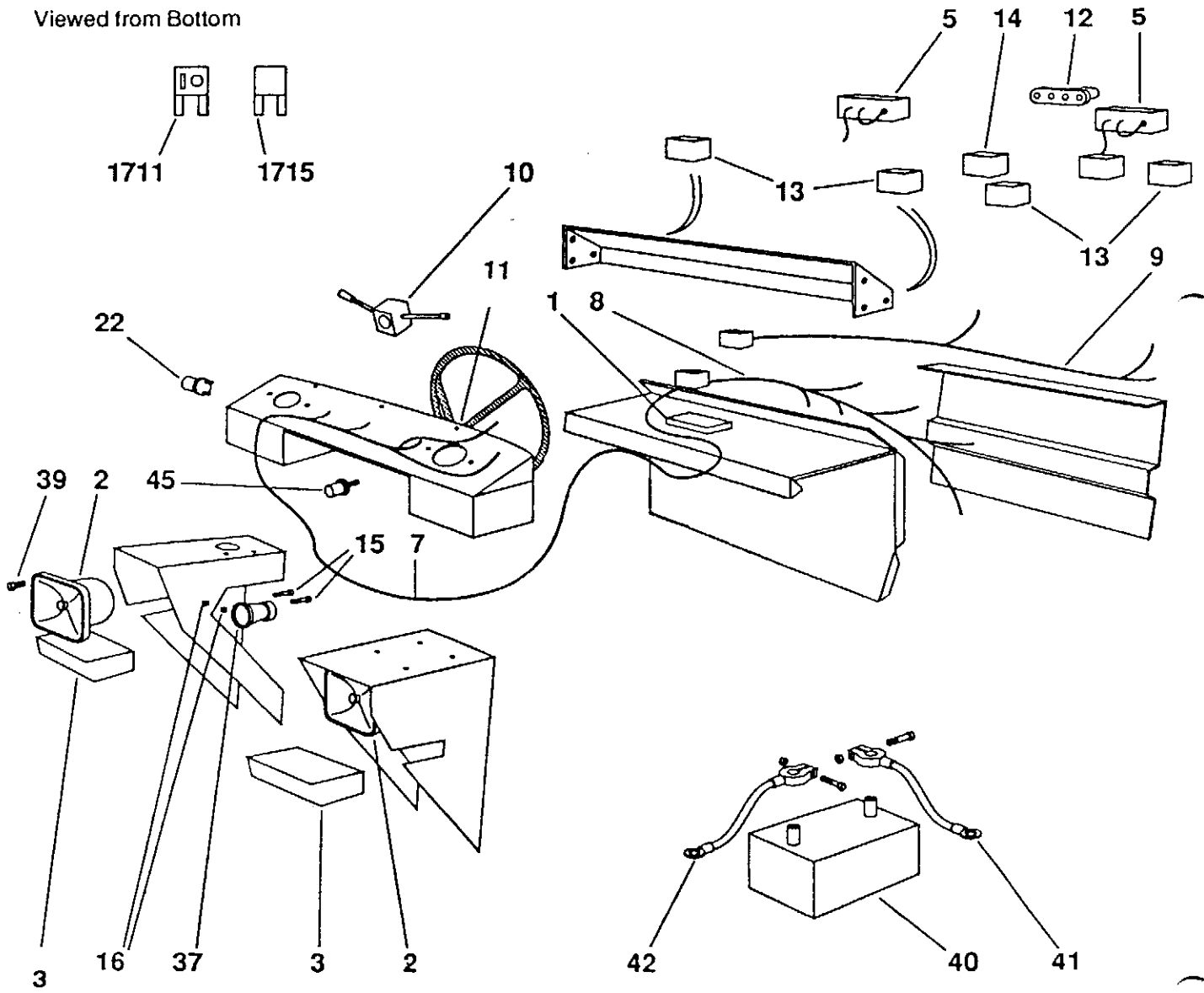
HEATER

p.23

REF.	PART NO.	DESCRIPTION	QTY
1	0015	Heater Assembly	1
2	2136	Hose (Coolant - from Engine)	1
3	2136	Hose (Coolant to Engine)	1
4	2137	Hose (Short)	1
5	1650	Valve Water	1
6	2063	Cable - Heater, short	1
7	1548	Cable - Heater, long	1
9	2135	Hose (air dash-long)	1
11	2134	Hose - Air Vent	2
13	0009	Vent - Direction Air	4
14	1685	Screw	8
15	0216	Clamp - Vent	8
16	0215	Clamp - Hose	6
17	2344	Heater Coil	RP
18	2345	Heater, Motor	RP
19	2346	Heater, Directional Body	RP



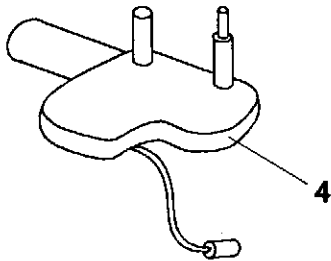
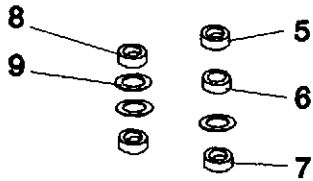
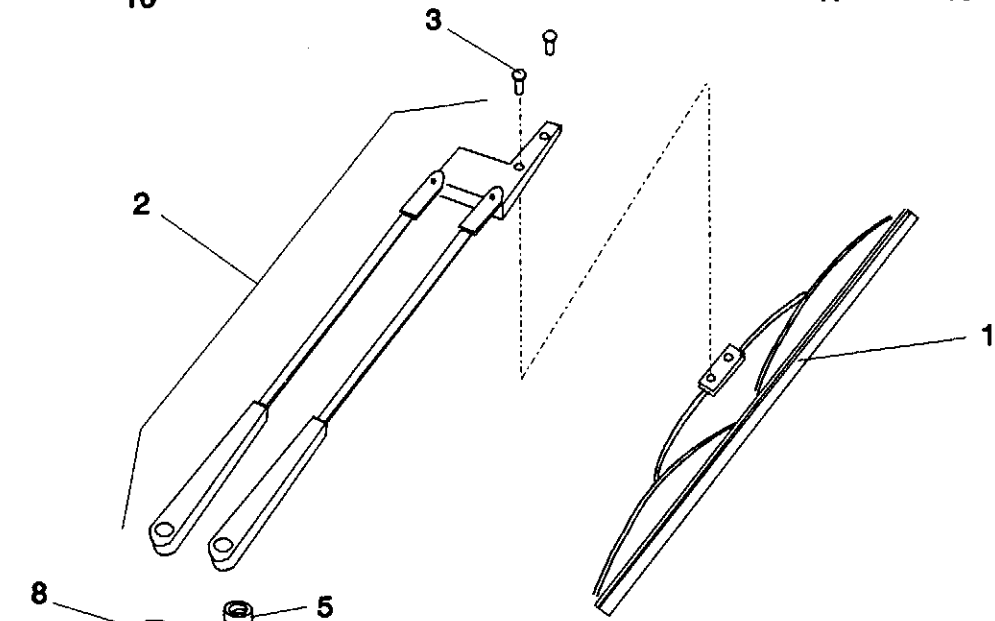
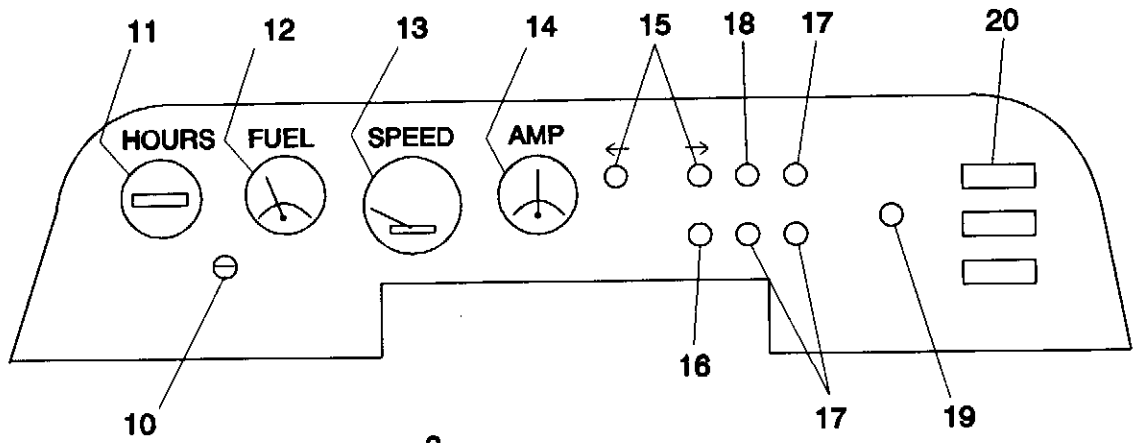
Viewed from Bottom



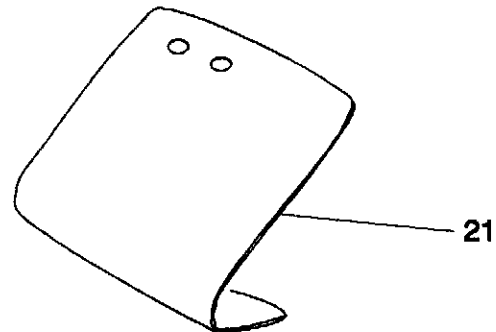
ELECTRICAL ASSEMBLY

p.25

REF.	PART NO.	DESCRIPTION	QTY
1	0727	CPU (Central Process Unit)	1
2	0073	Head Lights	2
3	0071	Front - Signal Light	2
5	0070	Light - Rear Signal	1
7	0733	Harness Main	1
8	0855	Harness - Engine	1
9	0856	Harness - Rear	1
10	0991	Switch - Combo	1
11	0066	Button - Horn	1
12	0076	Light License	1
13	1029	Red Tail Light	4
14	0074	Clear License Light	2
15	0297	Bolt	6
16	1036	Nut	6
17	0515	Splice Butt	8
18	0220	Male Hooded 0.25	8
19	0219	Female 0.25 Hooded	8
20	2273	Tywrap (4.00 in)	8
21	1902	Tywrap (8.00 in)	8
22	1044	Flasher	1
23	1715	Fuse 15A	10
24	1711	Fuse 10A	1
25	2082	Panel (Electrical)	REF
26	1712	Fuse Auto Reset (50A)	1
27	1713	Relay (N. Open)	3
28	0724	Relay (N. Closed/Open)	1
29	1015	Igniter	1
30	0723	Switch - Roll Over	1
31	0312	Valve - 3 Way	REF
32	0390	Coil	1
33	1777	Screw	8
34	1778	Nut	10
35	1777	Screw	2
36	1778	Nut	2
37	0010	Horn	1
39	1463	Bolt - SF	8
40	0061	Battery	1
41	1409	Ground Cable	1
42	1410	Power Cable	1
43	1701	Diode - Dash	1
44	1749	Diode - Alternator	1
45	1021	Switch Brake Light	1



**PACKAGE 2002 CONSISTS OF
ITEMS: 3, 5, 6, 7, 8, 9**



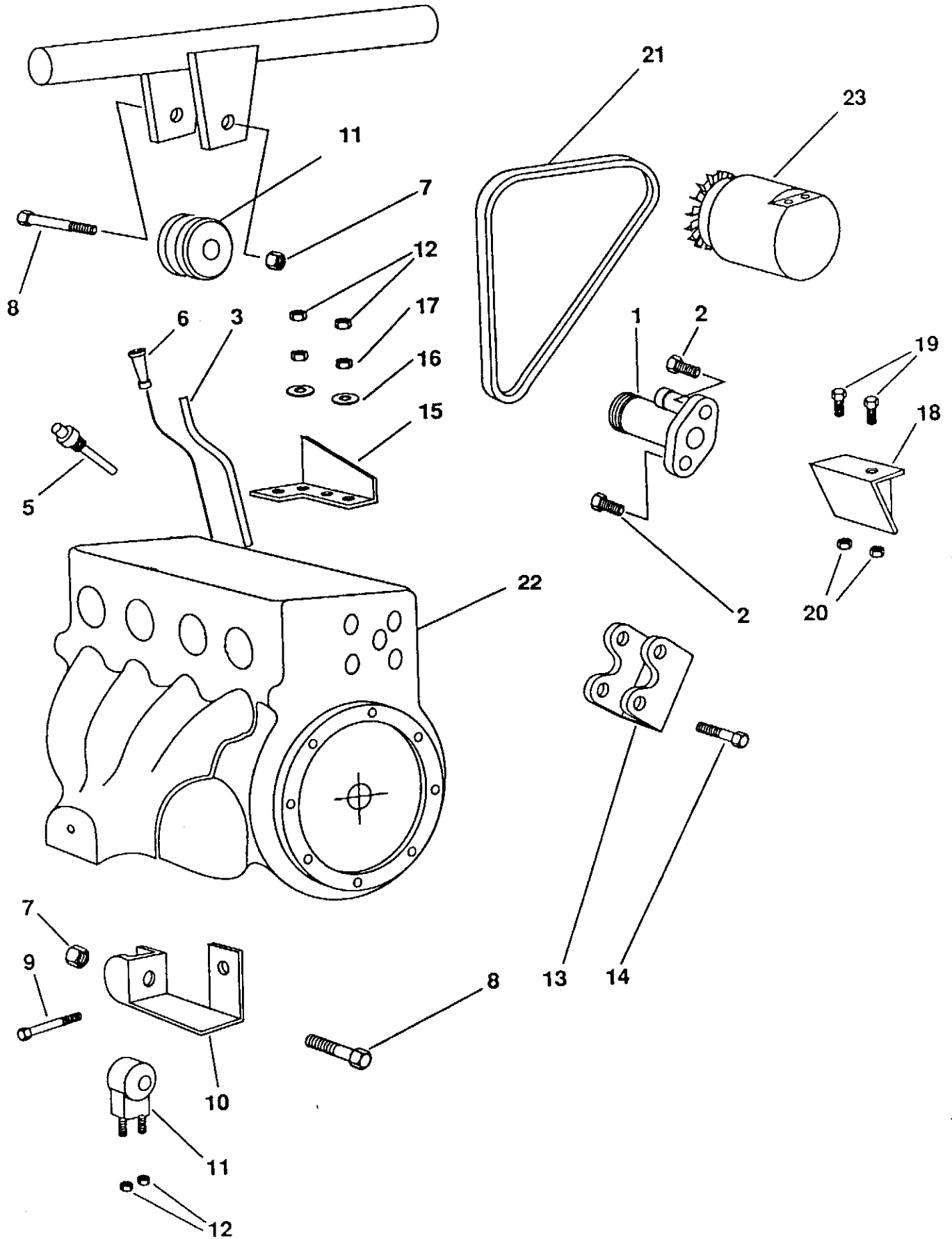
DASH GAUGES/SWITCHES W.MOTOR & ARM

p.27

REF.	PART NO.	DESCRIPTION	QTY
1	2001	Wiper Blade	1
2	2007	Arm Assembly	1
3	2002	Screws, mounting arm	2
4	2000	Motor Wiper	1
5	2002	Nut	1
6	2002	Seal, end of shaft	
7	2002	Nut, washer	
8	2002	Nut	
9	2002	Washer	
10	0023	Headlight Switch	1
11	0011	Hourometer	1
12	0005	Fuel Gauge	1
13	0002	Speedometer	1
14	0007	Ammeter	1
15	2045	Light, green	2
16	0862	Panel, Switch	1
17	2043	Light, red	3
18	2044	Light, blue	1
19	0863	Ignition Switch	1
20	1911	Switch, rotating lamp	1
21	71212	Nose Cone	ref

REAR SUSPENSION

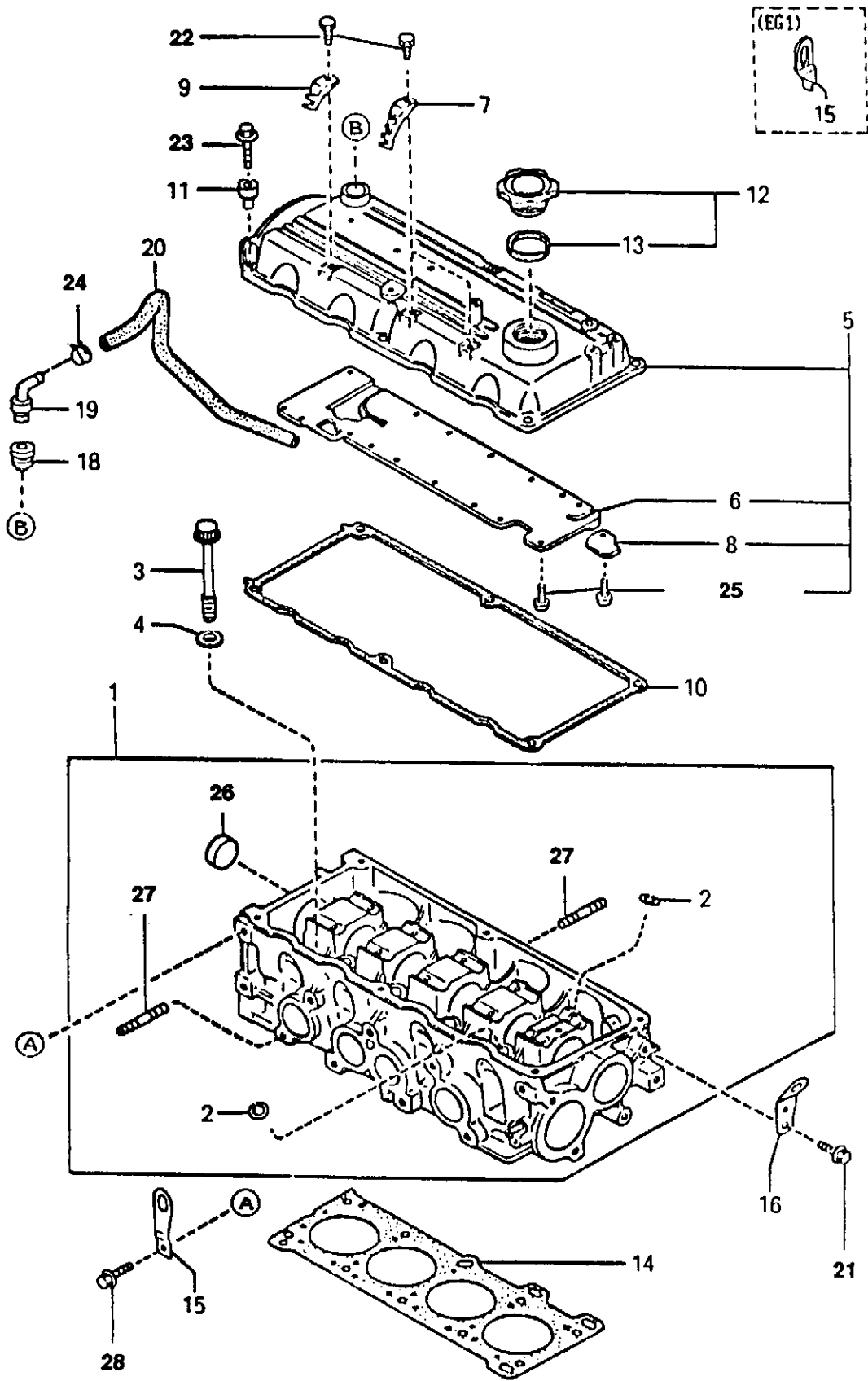
REF.	PART NO.	DESCRIPTION	QTY
1	2152	Frame, suspension	1
2	1966	Clamp, suspension, RH	1
3	2141	Clamp, suspension, LH	1
4	1965	Clamp, bottom suspension	1
5	8009	Mount, wheel LH	1
6	2004	Rod, rubber	8
7	2177	Shock Absorber	1
8	8008	Mount, wheel RH	1
9	8005	Brace, diagonl RH	1
10	8006	Brace, diagonl LH	1
11	1861	Screw	2
12	1862	Nut	4
13	2215	Screw	1
14	1427	Screw	2
15	1031	Screw	4
16	0223	Nut	20
17	1033	Bolt	16
18	1762	Shim (1/32)	A/R
19	1766	Shim (1/16)	A/R
20	1768	Shim (1/8)	A/R
21	0223	Nut	4
22	0817	Screw	4
23	0823	Nut	4



ENGINE ATTACHMENTS

p.31

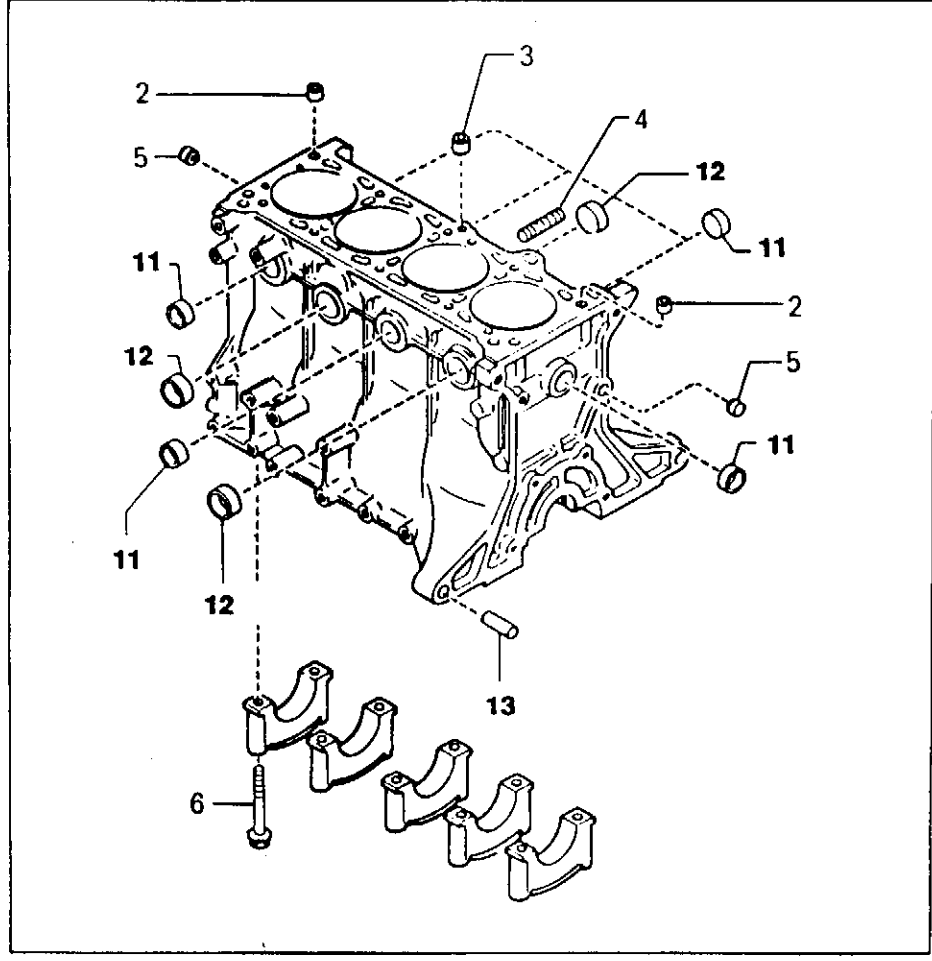
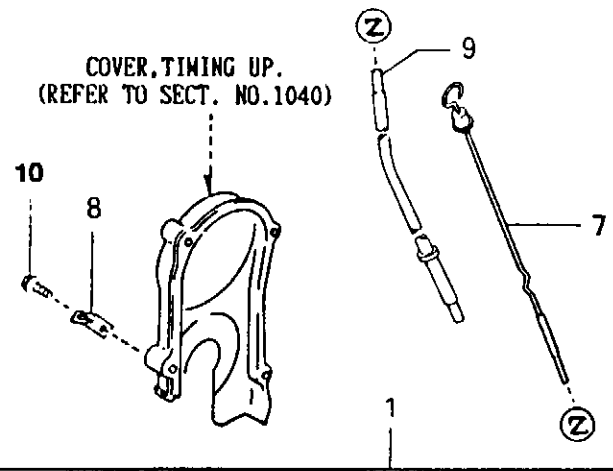
REF.	PART NO.	DESCRIPTION	QTY
1	0436	Starter	1
2	0411	Bolt	2
3	1673	Tube, Dipstick	1
5	1734	Sender	1
6	1674	Gauge.	
7	0901	Nut	2
8	0902	Bolt	2
9	0898	Bolt	4
10	0903	Bracket	1
11	0908	Mount - Rubber #2	2
12	0900	Nut	4
13	0907	Mount - Rubber #1	1
14	0897	Bolt	2
15	2040	Bracket -Motor	1
16	0905	Washer	3
17	0906	Nut	3
18	1272	Mount - Rear	1
19	1033	Bolt	2
20	0223	Nut	2
21	0401	Belt, Fan	(RP)
22	1013	Engine	1
23	0422	Alternator	(RP)



CYLINDER HEAD & COVER

p.33

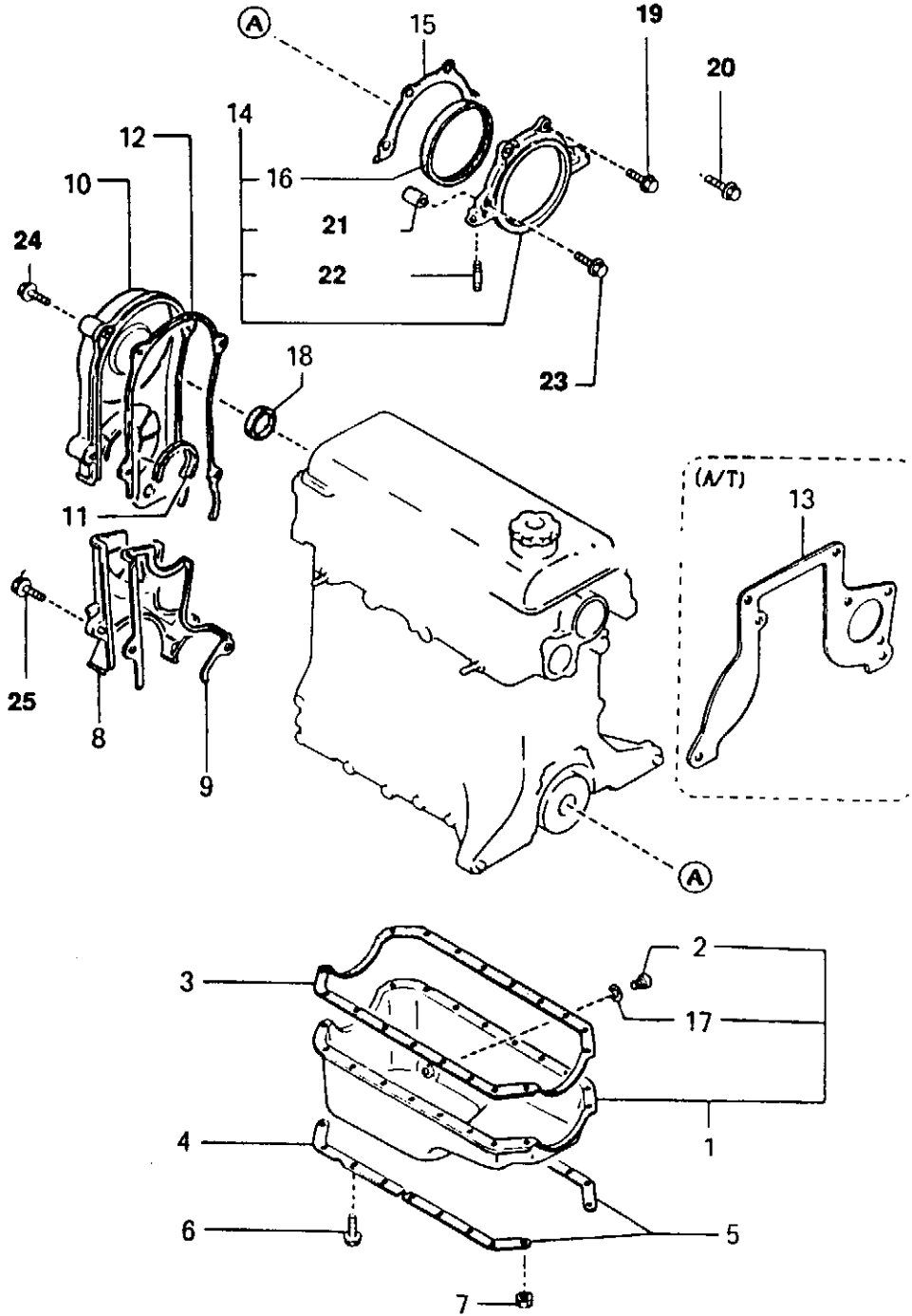
REF.	PART NO.	DESCRIPTION	QTY
1	0080	Head, Cylinder	1
2	0081	Clip, Valve Guide	8
3	0082	Bolt, Cylinder Head	10
4	0083	Washer, Head Bolt	10
5	0084	Cover, Cylinder Head	1
6	0085	Plate "A", Oil Baffle	1
7	0086	Protector, H.T.Code, Ignition 3 Wire Clip	2
8	0087	Plate, "B", Oil Baffle	1
9	0088	Protector, H.T.Code, Ignition 2 Wire Clip	1
10	0089	Gasket, Head Cover	1
11	0090	Washer, Sealing	6
12	0091	Cap, Oil Filter	1
13	0092	Gasket, Oil Cap	1
14	0093	Gasket, Cylinder Head	1
15	0094	Hanger, Engine - FRNOT	1
16	0095	Hanger, Engine - Rear	1
18	0096	Rubber, Seal	1
19	0097	Valve, P.C.V.	1
20	0098	Hose, P.C.V.	1
21	0105	Screw	1
22	0099	Screw	2
23	1405	Capscrew	6
24	0101	Clip	2
25	0100	Screw	2
26	0102	Cap	1
27	0103	Stud	8
28	0104	Bolt	1



CYLINDER BLOCK

p.35

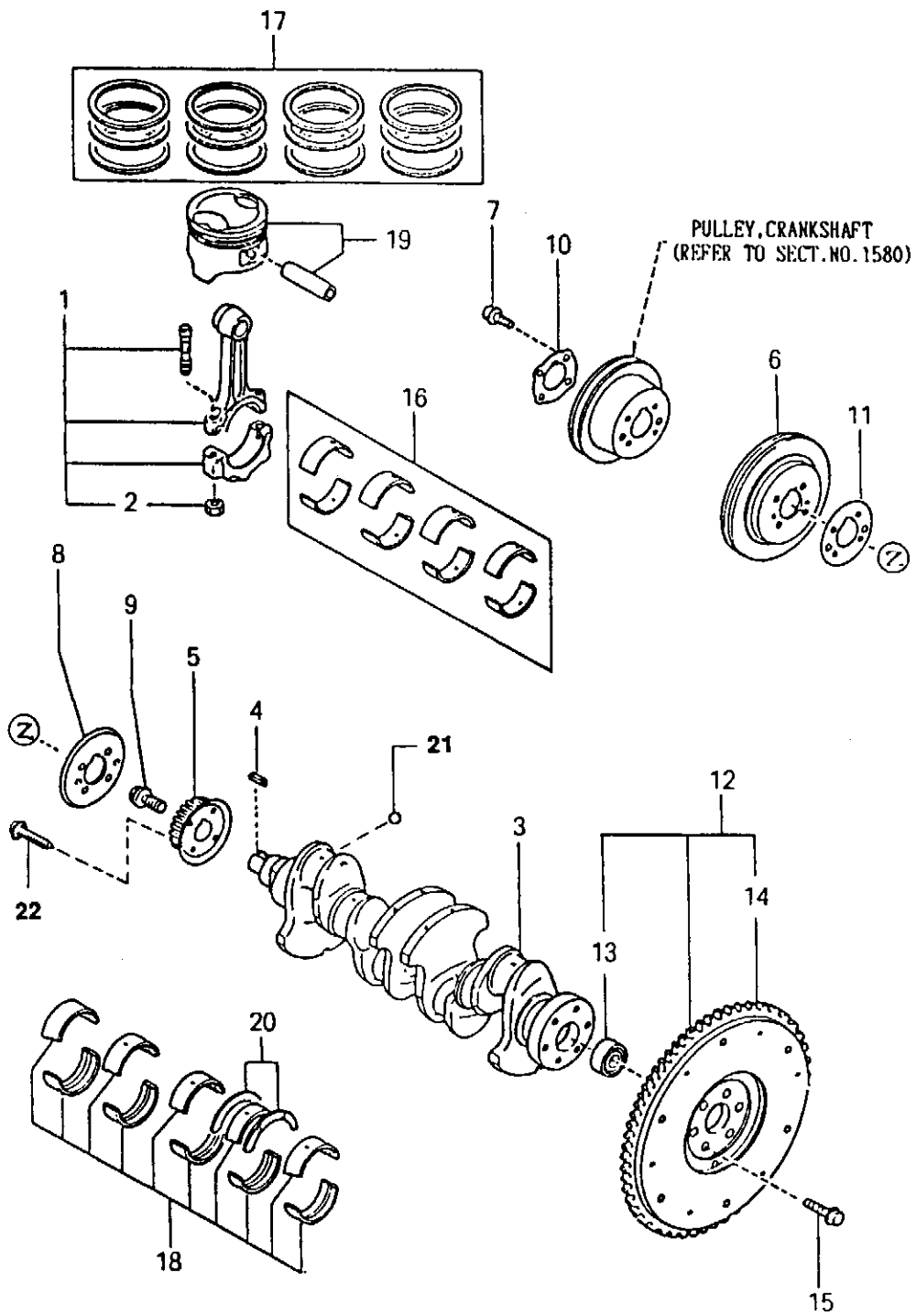
REF.	PART NO.	DESCRIPTION	QTY
1	0106	Block, Cylinder	1
2	0107	Pin, Tubular	2
3	0108	Plug, Oil Control	1
4	0109	Tube, Oil Filter	1
5	0110	Plug, Blind	2
6	0111	Bolt, C/Shaft Cap	10
7	0112	Gauge, Oil Level	1
8	0113	Stay, Oil Level Gauge	1
9	0114	Pipe, Oil Gauge	1
10	0118	Bolt	4
11	0102	Cap	5
12	0116	Cap	3
13	0117	Pin	1



OIL PAN & TIMING BELT COVER

p.37

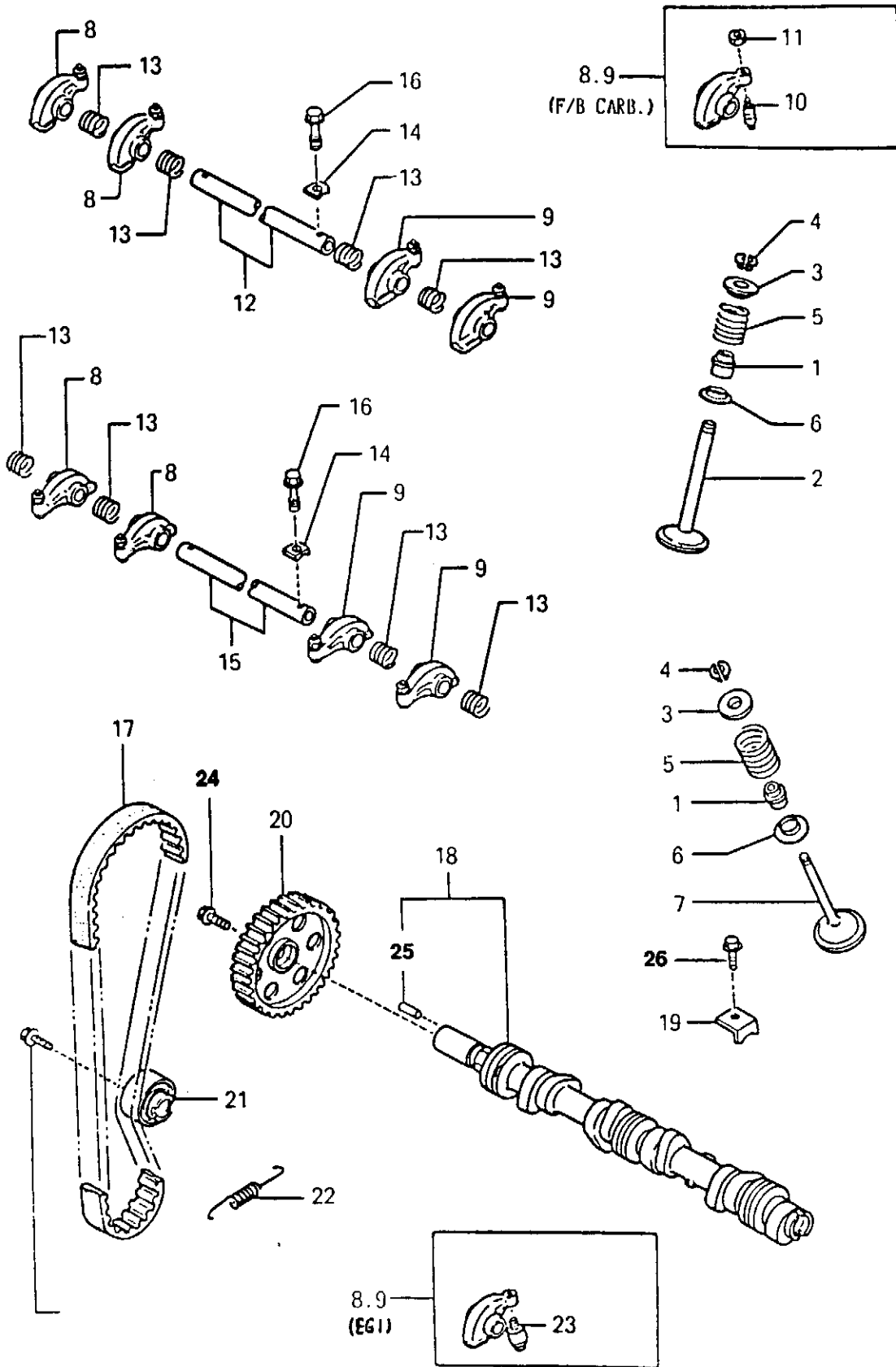
REF.	PART NO.	DESCRIPTION	QTY
1	0119	Pan, Oil	1
2	0120	Plug, Drain	1
3	0121	Gasket, Oil Pan	1
4	0112	Stiffener, Front	2
5	0123	Stiffener, Rear	2
6	0124	Bolt, Oil Pan	16
7	0125	Nut, Oil Pan	2
8	0126	Cover, Timing Belt - Low	1
9	0127	Gasket, Belt Cover - Low	1
10	0128	Cover, Timing Belt - Up	1
11	0129	Gasket	1
12	0130	Gasket, Belt Cover - Up	1
14	0131	Cover, Rear	3
15	0132	Gasket, Rear Cover	1
16	0133	Seal, Oil	1
17	0134	Gasket	1
18	0135	Seal, Oil	3
19	0136	Bolt	1
20	0140	Bolt	1
21	0137	Pin	1
22	0138	Stud	1
23	0139	Bolt	1
24	0141	Bolt	1
25	0142	Bolt	1



PISTON, CRANKSHAFT & FLYWHEEL

p.39

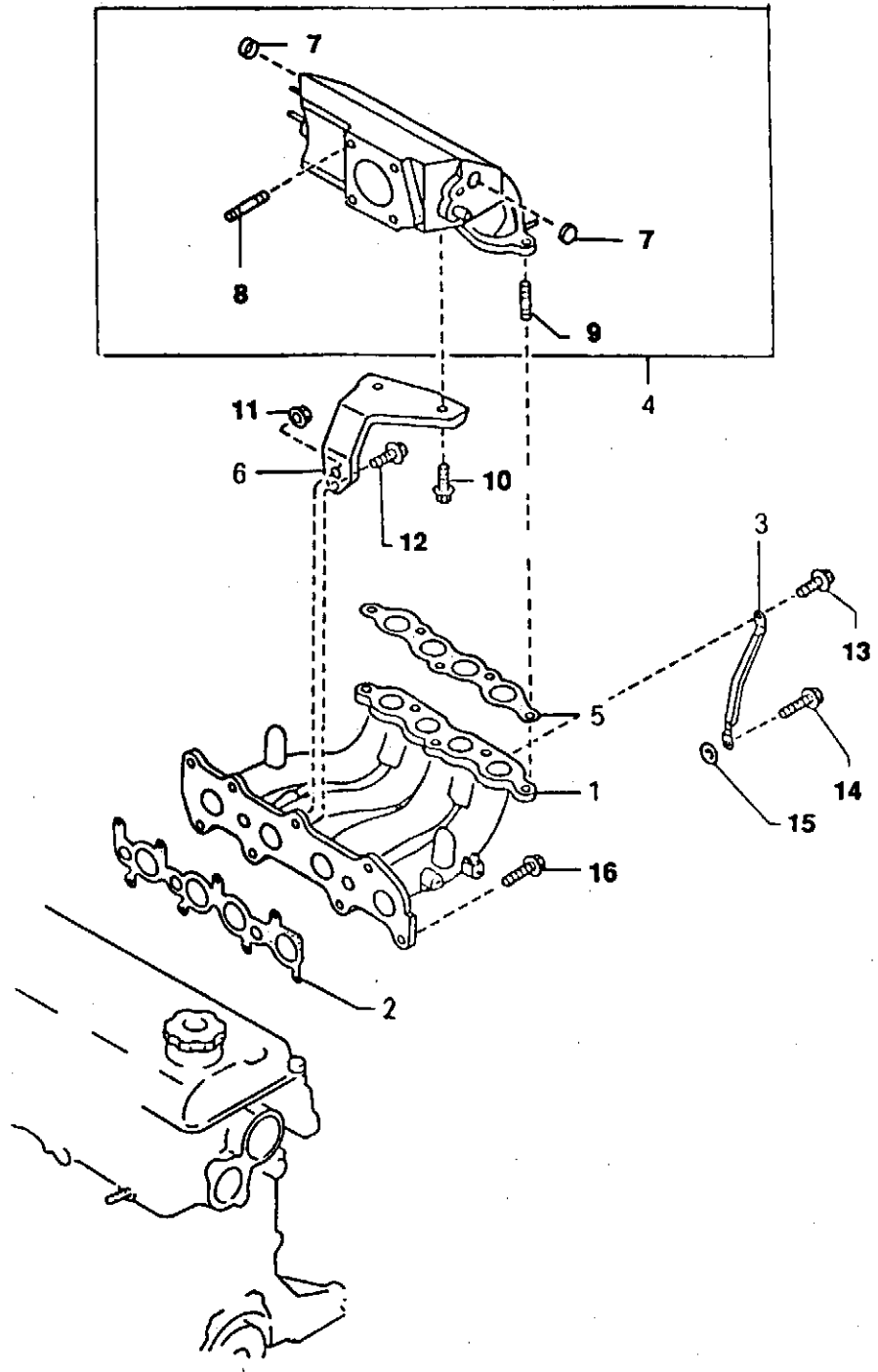
REF.	PART NO.	DESCRIPTION	QTY
1	0143	Rod, Connecting	4
2	0144	Nut, Connecting Rod	8
3	0145	Crankshaft	1
	0146	Selective Use	1
4	0147	Key, Woodruff - Pulley	1
5	0148	Pulley, Timing Belt	1
6	0149	Pulley, Crankshaft	1
7	0150	Bolt, Pulley	4
8	0151	Plate, T. Belt Guide	1
9	0152	Bolt, Lock	1
10	0153	Plate, C. Shaft Pulley	1
11	0154	Plate, (Out.), T.Belt	1
16	0155	Metal Set, Conn. Rod STD	1
	0156	Metal Set, Conn. Rod O.S. 0.50	1
	0157	Metal Set, Conn. Rod O.S. 0.75	1
	0158	Metal Set, Conn. Rod O.S. 0.25	1
17	0159	Ring Set, Piston STD	1
	0160	Ring Set, Piston O.S. 0.50	1
	0161	Ring Set, Piston O.S. 0.75	1
	0162	Ring Set, Piston O.S. 1.00	1
	0163	Ring Set, Piston O.S. 0.25	1
18	0164	Metal Set, Main Bearing STD	1
	0165	Metal Set, Main Bearing 0.50	1
	0166	Metal Set, Main Bearing 0.75	1
	0167	Metal Set, Main Bearing 0.25	1
19	0168	Piston Set STD	4
	0169	Piston Set, O.S. 0.50	4
	0170	Piston Set, O.S. 0.75	4
	0171	Piston Set, O.S. 1.00	4
	0172	Piston Set, O.S. 0.25	4
20	0173	Metal Set, Thrust STD	1
	0174	Metal Set, Thrust O.S. 0.50	1
	0175	Metal Set, Thrust O.S. 0.75	1
	0176	Metal Set, Thrust O.S. 0.25	1
21	0562	Washer	1
22	1404	Bolt	4



VALVE SYSTEM

p.41

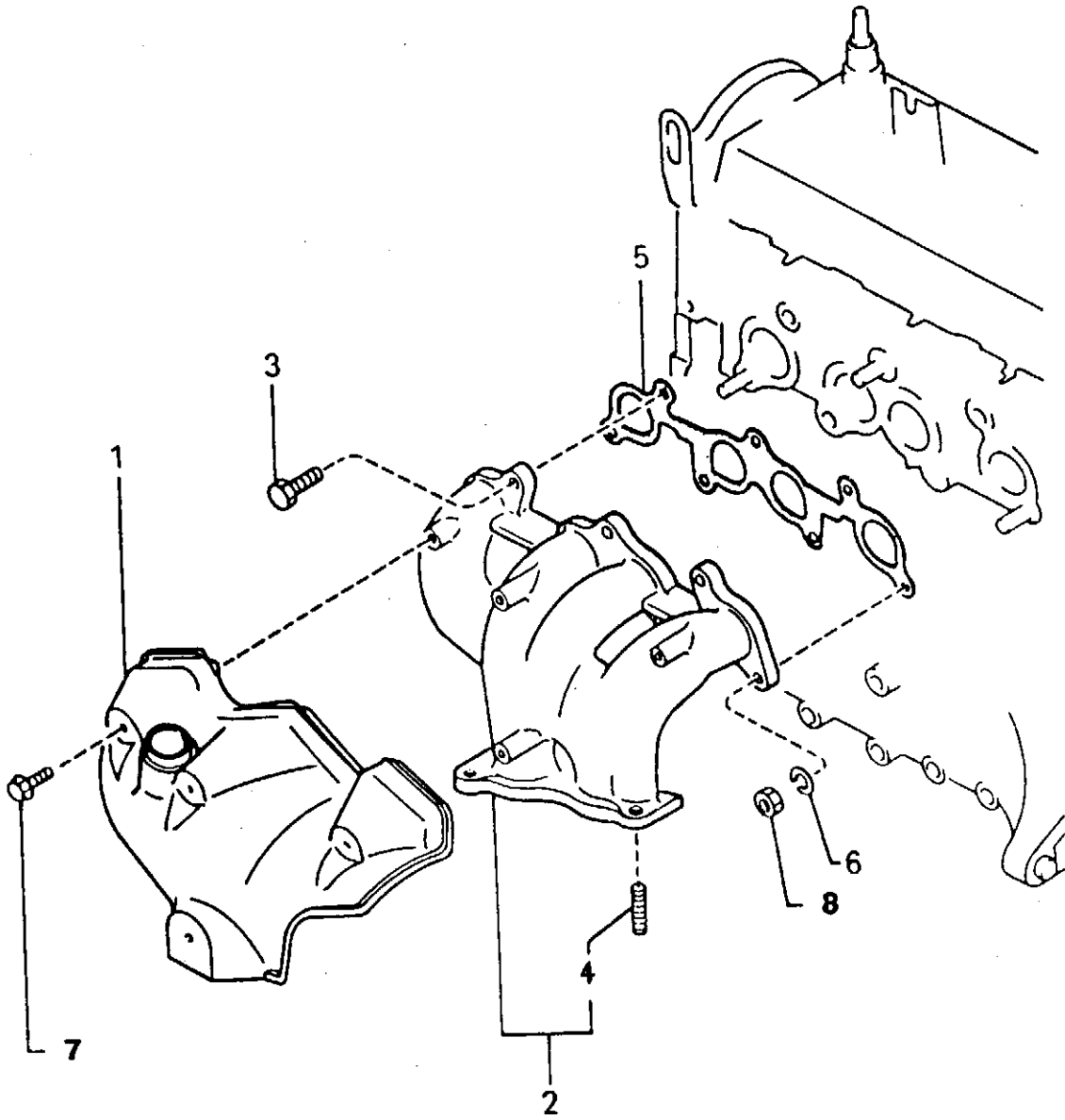
REF.	PART NO.	DESCRIPTION	QTY
1	0177	Seat, Valve	8
2	0178	Valve, Intake	4
3	0179	Seat, Valve Spring - Up	8
4	0180	Cotter, Valve - Intake	16
5	0181	Spring, Valve	8
6	0182	Seat, Valve Spring - Low	8
7	0183	Valve, Exhaust	4
8	0184	Arm, Rocker - 1 & 2	4
9	0185	Arm, Rocker - 3 & 4	4
11	0186	Nut, Adjust	8
12	0187	Shaft, Rocker Arm - Int	1
13	0188	Spring, Set	8
14	0189	Cap, Rocker Arm Shaft	10
15	0190	Shaft, Rocker Arm - Ex	10
16	0191	Bolt	10
17	0192	Belt, Timing	1
18	0194	Camshaft	1
19	0195	Plate, Thrust	1
20	0196	Pulley, Camshaft	1
21	0198	Tensioner, T. Belt	1
22	0199	Spring, Tensioner	1
23	0200	Adjuster, Hydraulic	4
24	0202	Bolt	1
25	0203	Pin	1
26	0204	Capscrew	1



INTAKE MANIFOLD

p.43

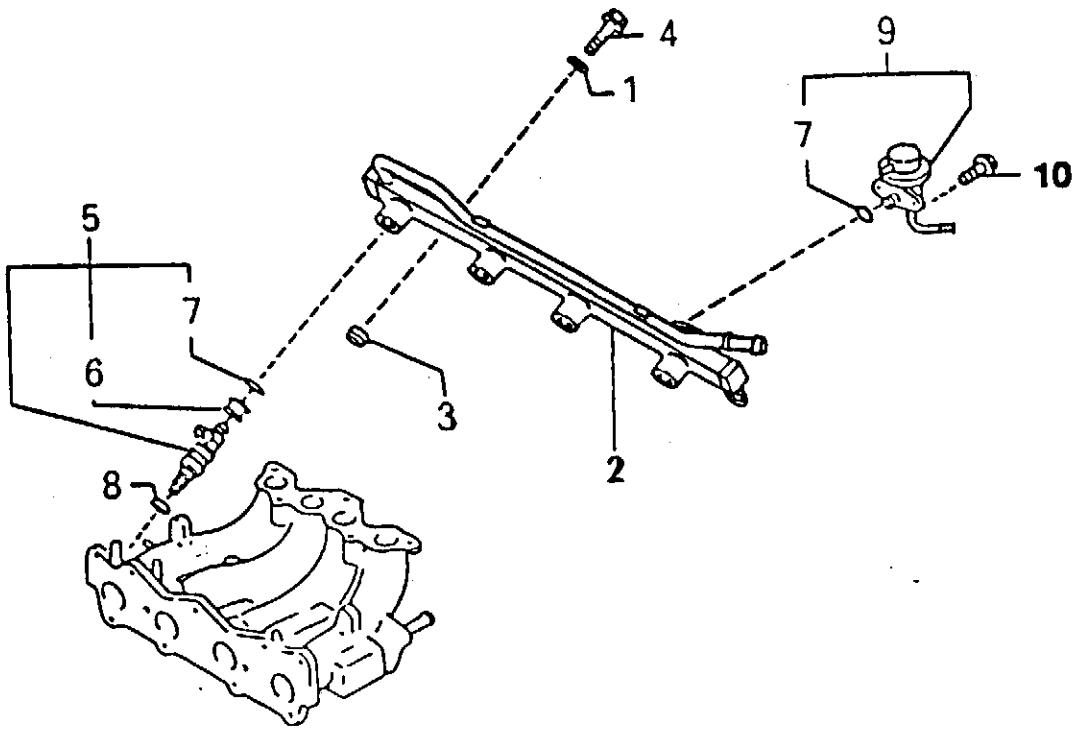
REF.	PART NO.	DESCRIPTION	QTY
1	0229	Manifold, Intake	1
2	0230	Gasket, Intake Manifold	1
3	0231	Stay, Manifold	1
4	0232	Tank, Surge	1
5	0233	Gasket	1
6	0234	Bracket, L.H., Surge Tank	1
7	0240	Caps	2
8	0235	Studs	4
9	0239	Studs	5
10	0241	Capscrews	2
11	0242	Nut	1
12	0243	Bolt	1
13	0104	Bolt	1
14	0237	Bolt	1
15	0238	Washer	1
16	0244	Bolt	1



EXHAUST MANIFOLD

p.45

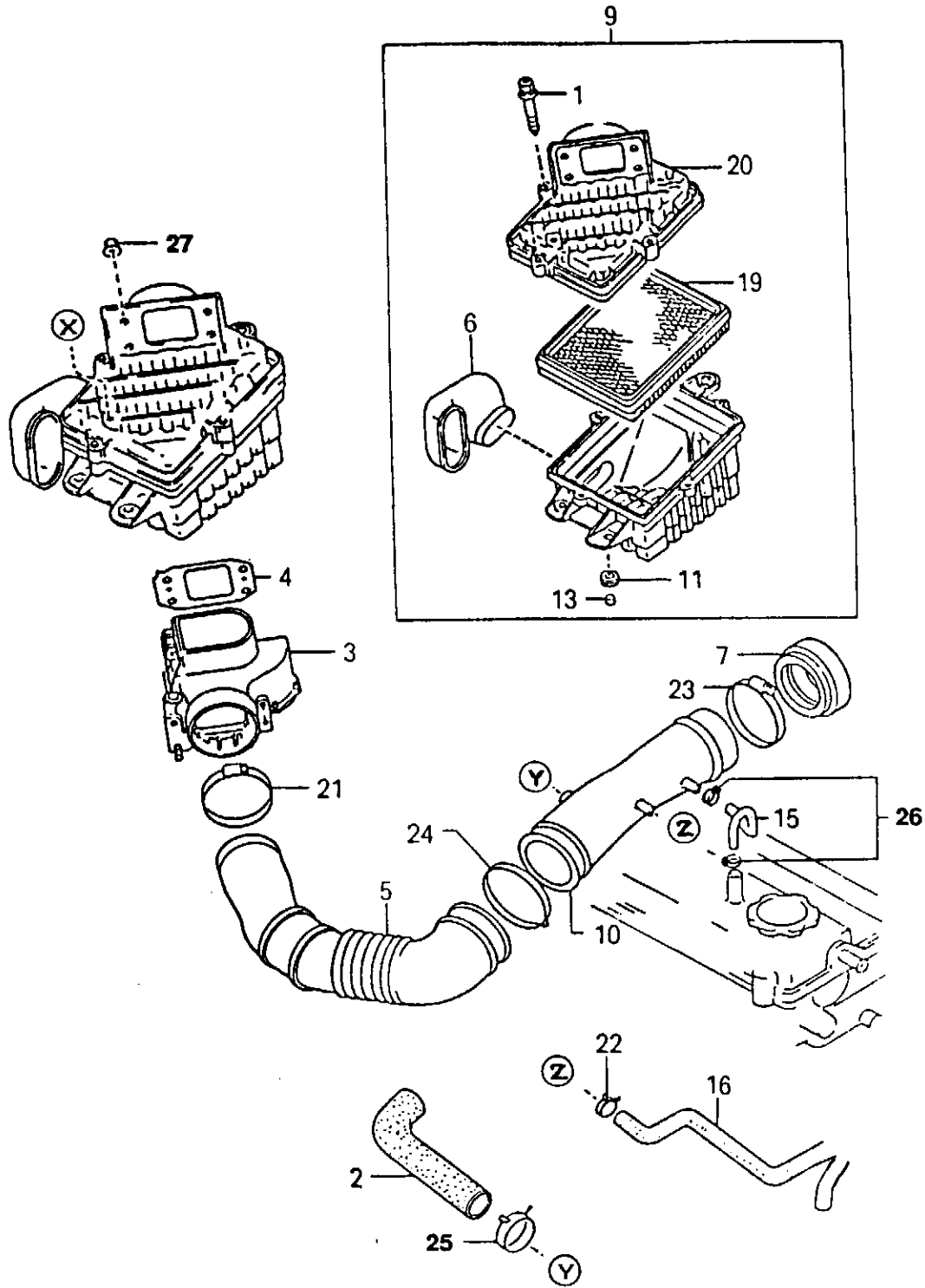
REF.	PART NO.	DESCRIPTION	QTY
2	0245	Manifold, Exhaust	1
3	0246	Bolt	4
4	0247	Stud	3
5	0248	Gasket, Exhaust Manifold	
<hr/>			
6	0249	Washer, Spring	2
7	0252	Bolt	3
8	0250	Nut	2



FUEL DISTRIBUTOR

p.47

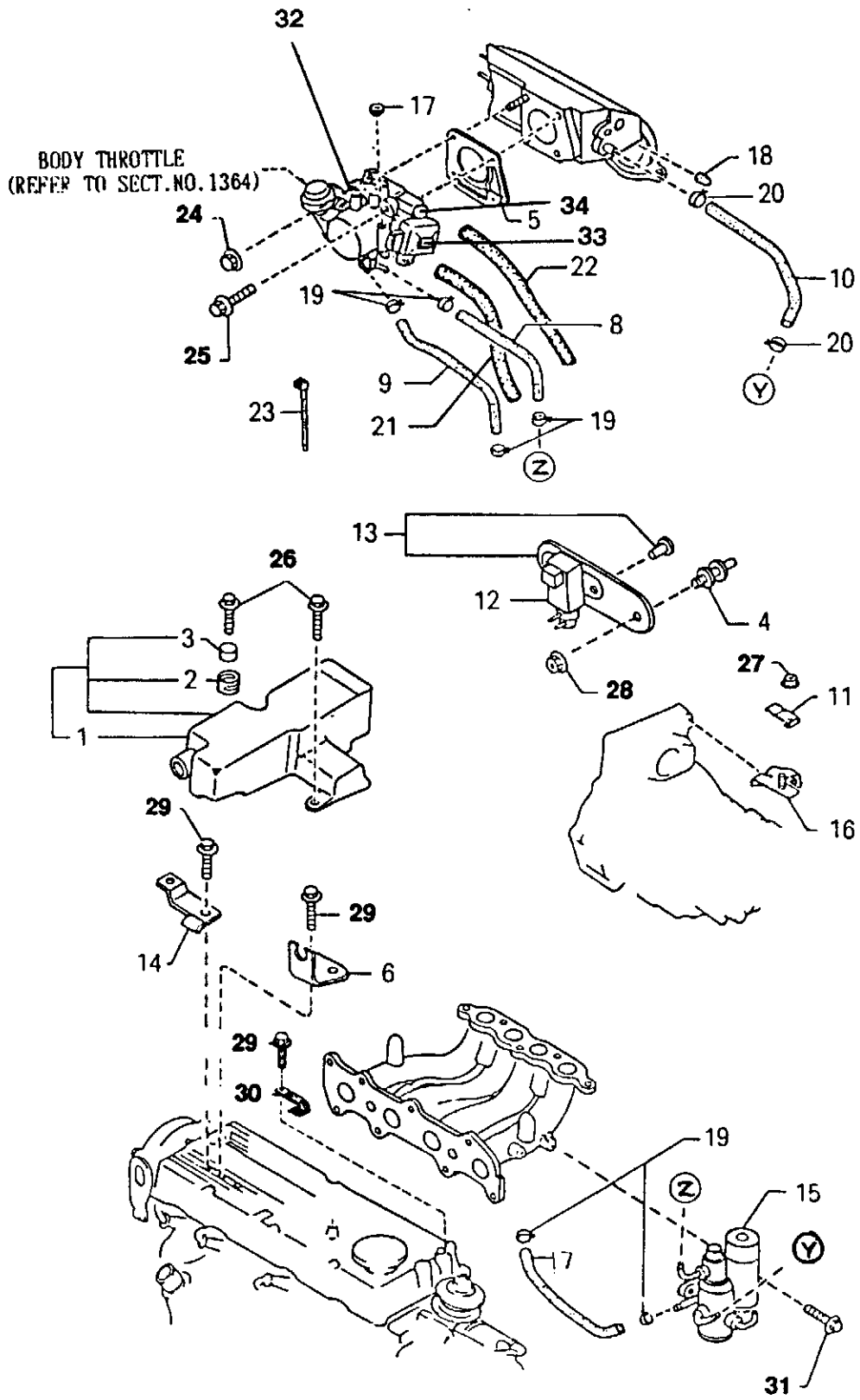
REF.	PART NO.	DESCRIPTION	QTY
1	0288	Insulator, Fuel Distributor	2
2	0289	Distributor, Fuel	1
3	0290	Insulator, Fuel Distributor	2
4	0291	Bolt, Fuel Distributor	2
<hr/>			
5	0292	Injector, Fuel	4
6	0293	Grommet	4
7	0294	Ring, O	5
8	0295	Insulator, Injection	4
<hr/>			
9	0296	Pressure Regulator, Fuel	1
10	0204	Bolt	2



AIR CLEANER

p.49

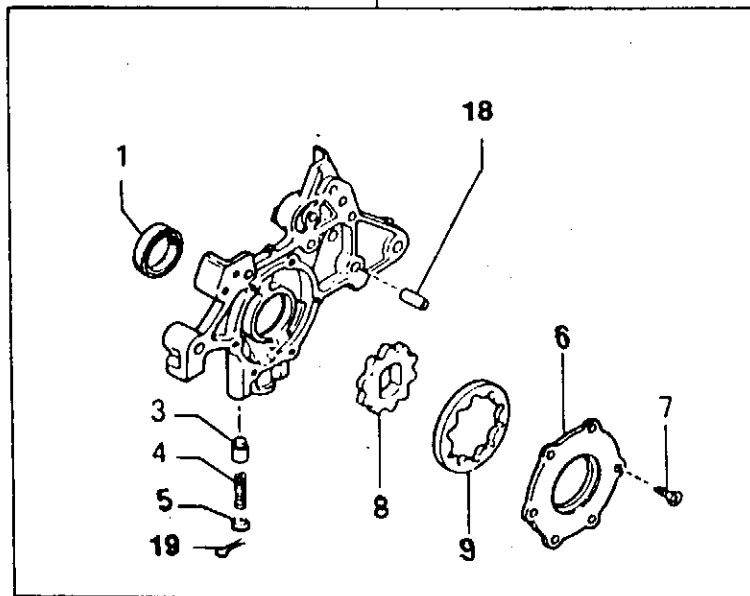
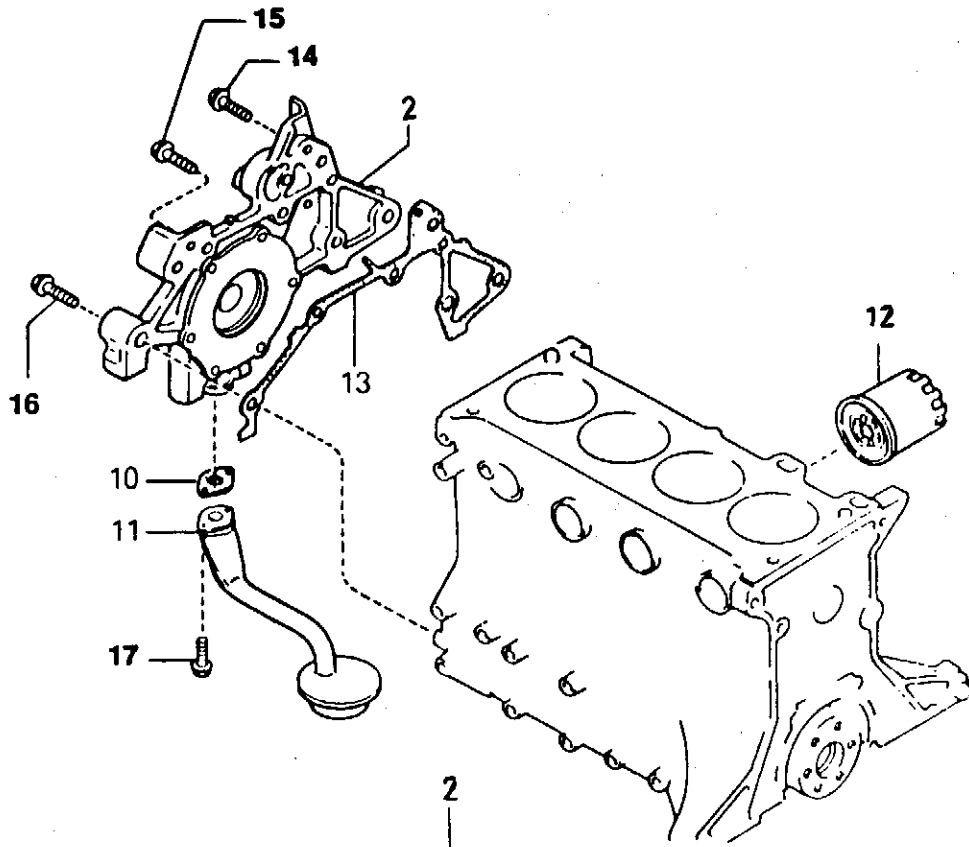
REF.	PART NO.	DESCRIPTION	QTY
1	0271	Bolt	4
2	1002	Hose, Air	1
3	0266	Meter, Air Flow	1
4	0267	Gasket	1
5	0268	Hose, Air	1
6	0269	Duct, Fresh Air	1
7	0270	Joint, Rubber	1
9	0273	Cleaner, Air	1
10	0272	Pipe, Air Intake	1
11	0274	Spacer	3
12	0275	Spacer	2
13	0276	Rubber, Mounting	3
15	0277	Hose, Ventilation	1
16	0278	Hose, Air	1
19	0280	Element Air Cleaner	1
20	0281	Cover, Air Cleaner	1
21	0282	Clamp, Hose	1
22	0283	Clip, Hose	1
23	0284	Clamp, Hose	1
24	0285	Clamp, Hose	1
25	1004	Clip	2
26	1003	Clip	2
27	0265	Nut	4



EMISSION CONTROL SYSTEM "INLET SIDE"

p.51

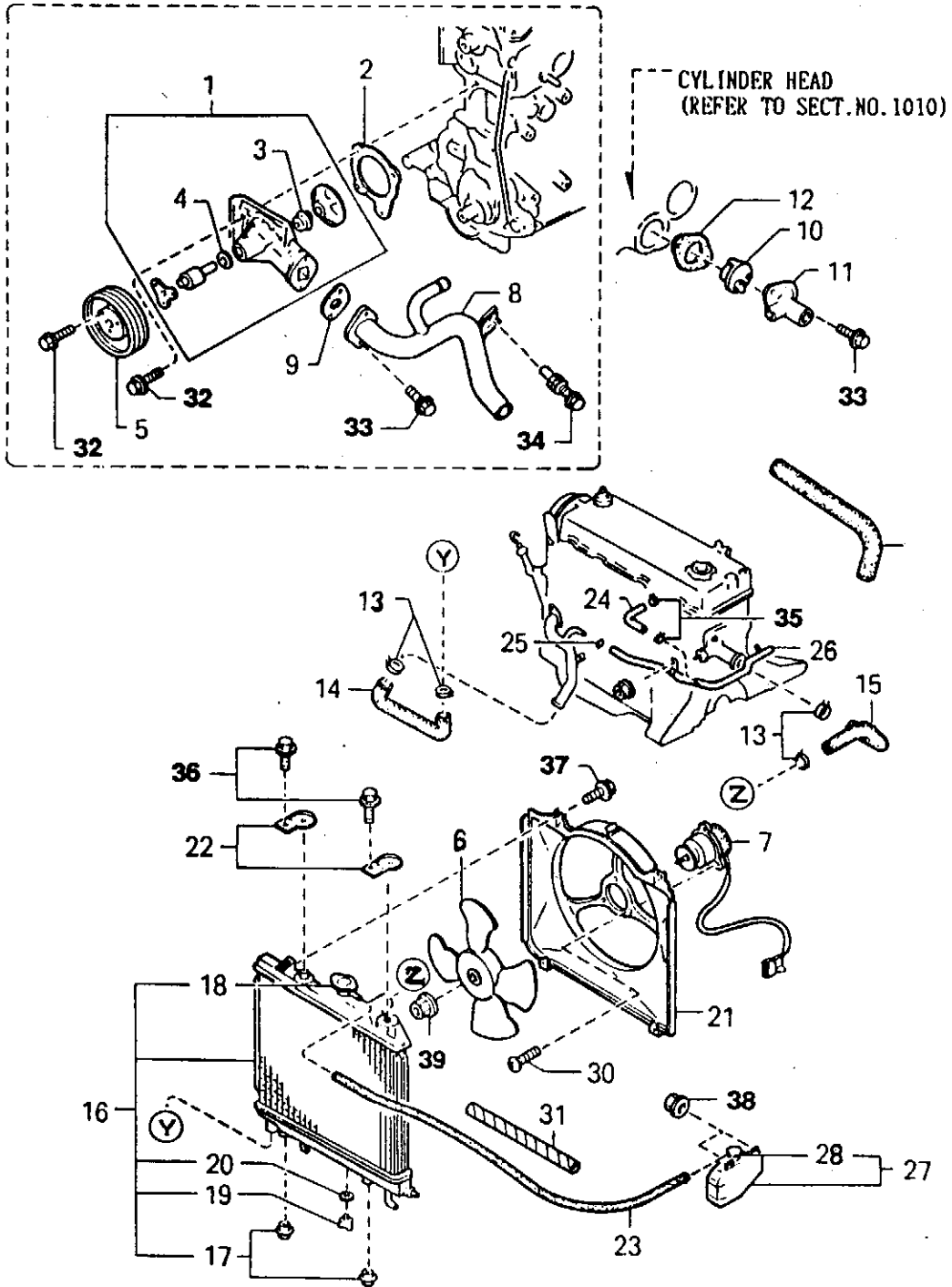
REF.	PART NO.	DESCRIPTION	QTY
1	0301	Chamber Resonance	1
2	0302	Rubber, Insulation	2
3	0303	Spacer	2
4	0304	Rubber, Mounting	2
5	0305	Gasket	1
6	0306	Bracket, Accelerator Wire	1
7	0307	Hose, Water	1
8	0308	Hose, Water	1
9	0309	Hose, Water	1
10	0310	Hose, Air - S/Tank	1
11	0311	Clip, Bypass Pipe	1
12	0312	Valve, Three Way	1
13	0313	Bracket, Solenoid Valve	1
14	0314	Bracket, Resonance Chamber	1
15	0315	Valve, Bypass Air Control	1
16	0316	Bracket, Air Pipe	1
17	0317	Cap, Blind	1
19	0318	Clamp, Water Hose	6
20	0319	Clip, Hose	1
21	0320	Hose, Air	1
22	0321	Tube, Vacuum	1
23	0322	Band	1
24	0242	Nut	2
25	0326	Bolt	2
26	0327	Bolt	2
27	0265	Nut	1
28	0323	Nut	1
29	0140	Bolt	3
30	0328	Clip (Rubber Coated)	1
31	0228	Bolt	1
32	0299	Throttle Body	RP
33	0300	Sensor Throttle	RP
34	0298	Screw, throttle sensor	RP



OIL PUMP & FILTER

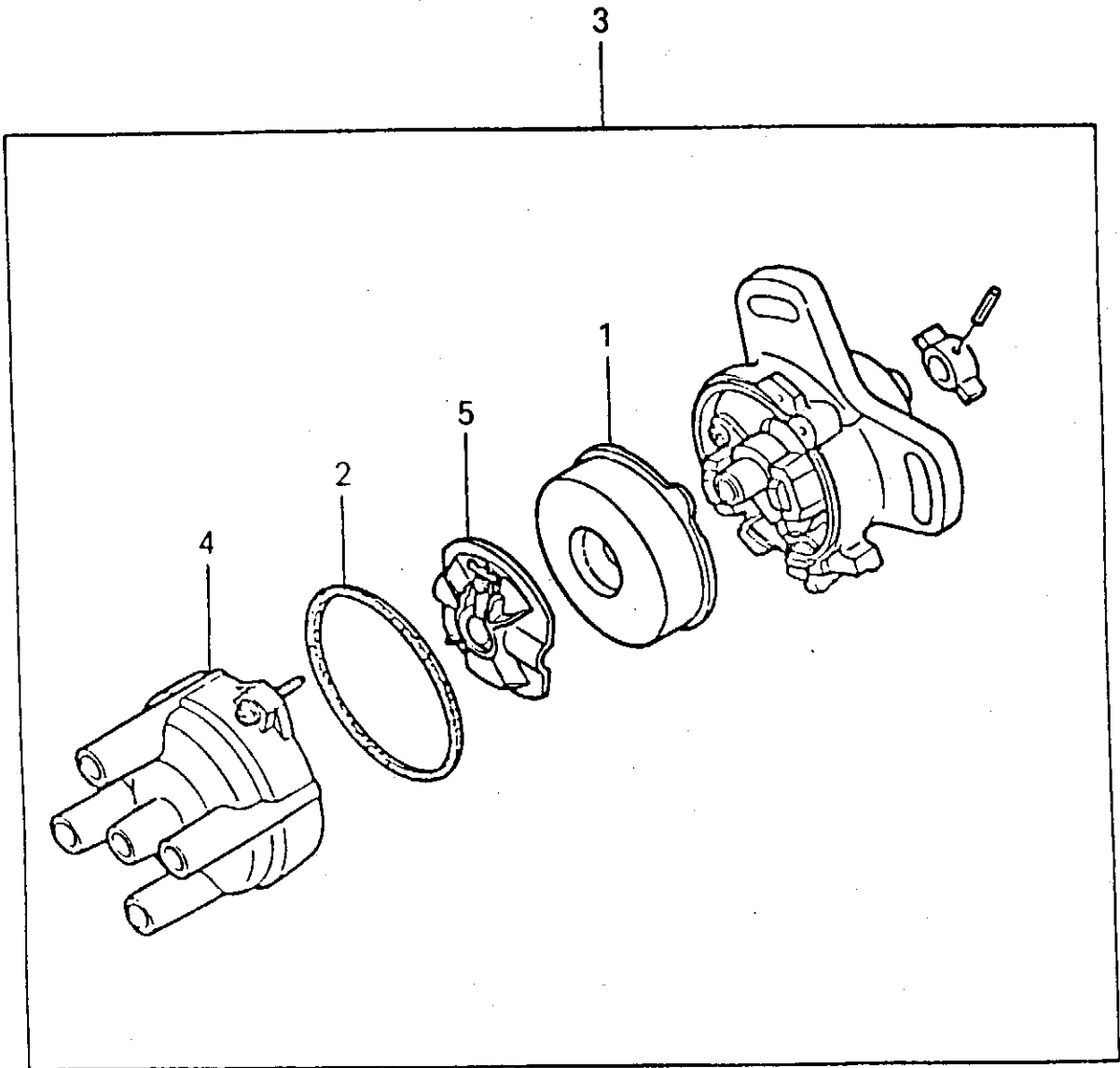
p.53

REF.	PART NO.	DESCRIPTION	QTY
1	0330	Seal, Oil	1
2	0332	Pump, Oil	1
3	0331	Plunger, Control	1
4	0333	Spring, Pressure	1
5	0334	Sheet, Spring	1
6	0335	Cover, Oil Pump	1
7	0336	Screw	6
8	0337	Rotor, Inner	1
9	0338	Rotor, Outer	1
10	0339	Gasket, Oil Strainer	1
11	0340	Strainer, Oil	1
12	0341	Cartridge, Oil Filter	1
13	0342	Gasket, Oil Pump	1
14	0105	Bolt	1
15	0244	Bolt	1
16	0345	Bolt	1
17	0346	Bolt	2
18	0347	Alignment Pin	1
19	0348	Cotter Pin	1



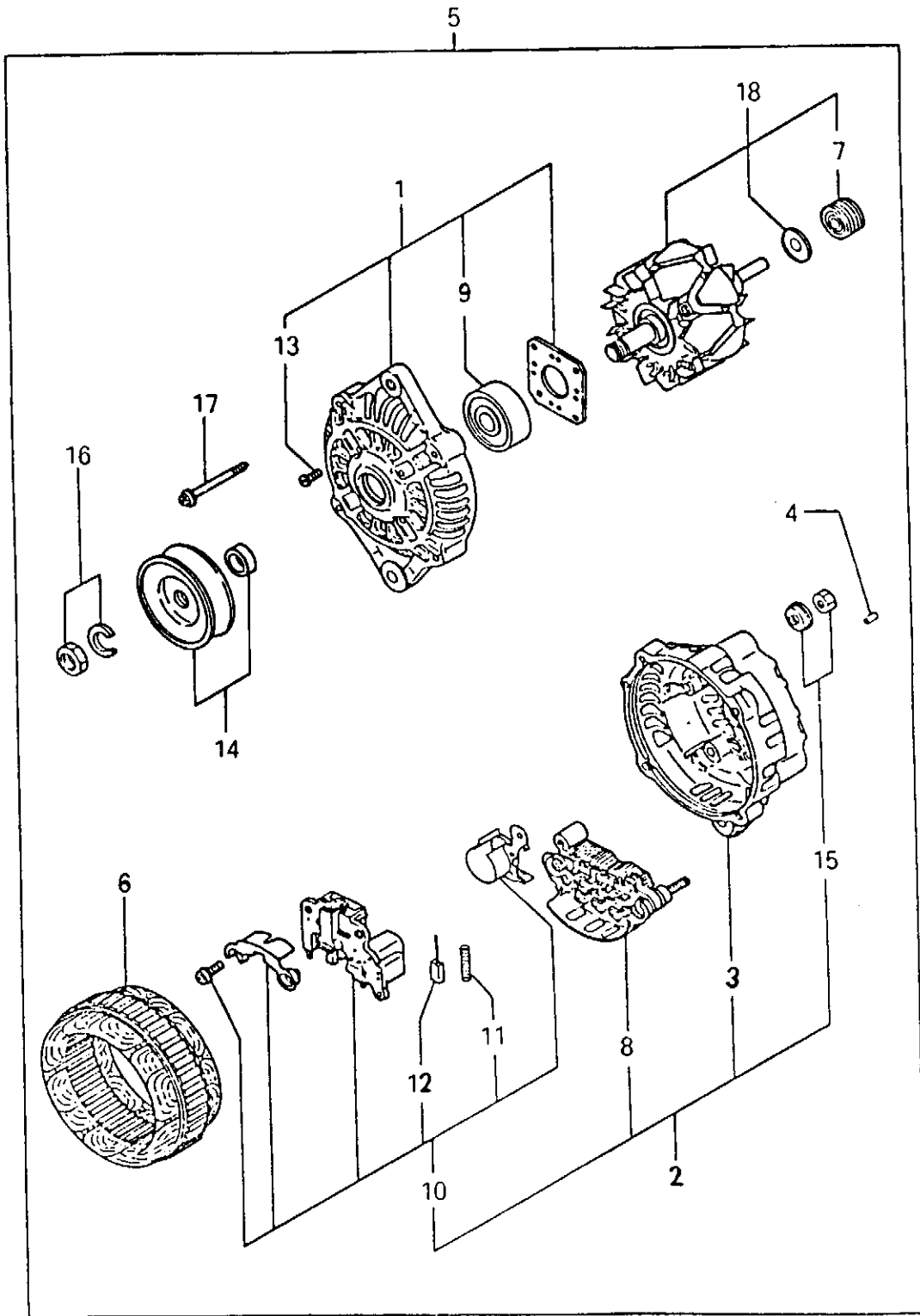
COOLING SYSTEM

REF.	PART NO.	DESCRIPTION	QTY
1	0349	Pump, Water	1
2	0350	Gasket, Water Pump	1
3	0351	Seal, Water	1
4	0352	Plate, Water Baffle	1
5	0353	Pulley, Water Pump	1
6	0354	Fan, Cooling	1
7	0355	Motor, Fan	1
8	0356	Inlet, Water Pump	1
9	0357	Gasket, Water Pump Inlet	1
10	0358	Thermostat	1
11	0359	Cover Thermostat	1
12	0360	Gasket, Outlet	2
13	0221	Clamp, Hose	2
14	0362	Hose, Water - Low	1
15	0719	Upper Rad Hose	1
16	0364	Radiator	1
17	0363	Rubber Mounting	2
18	0365	Cap, Radiator	1
19	0366	Cock, Drain	1
20	0367	Gasket, Drain Cock	1
21	0368	Cowling Radiator	1
22	0369	Bracket, Radiator	2
23	0370	Hose Sub Tank	1
24	0371	Hose, Bypass	1
25	0372	Ring, O	1
26	0373	Pipe, Bypass	1
27	0374	Tank, Sub	1
28	0375	Cap, Sub Tank	1
30	0376	Screw	3
31	0377	Protector	1
32	0140	Bolt	5
33	0381	Bolt	4
34	0386	Bolt	
35	0382	Clip	2
36	0379	Bolt	2
37	0204	Bolt	4
38	1406	Nut	2
39	0380	Nut	1



DISTRIBUTOR

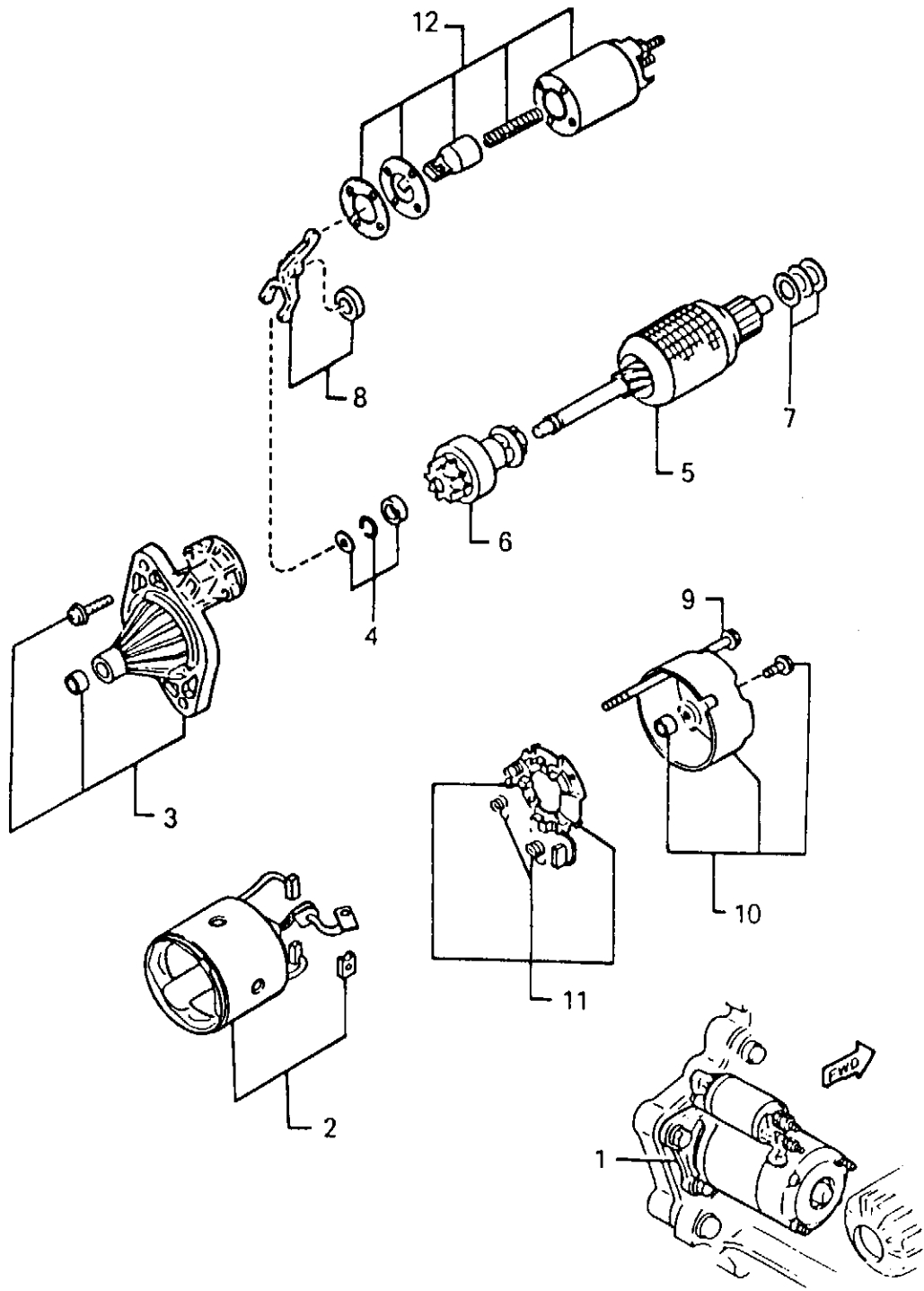
REF.	PART NO.	DESCRIPTION	QTY
1	0413	Cover, Distributor	1
2	0414	Gasket, Cap - Distributor	1
3	0415	Distributor	1
4	0416	Cap, Distributor	1
<hr/>			
5	0417	Rotor, Distributor	1



ALTERNATOR

p.59

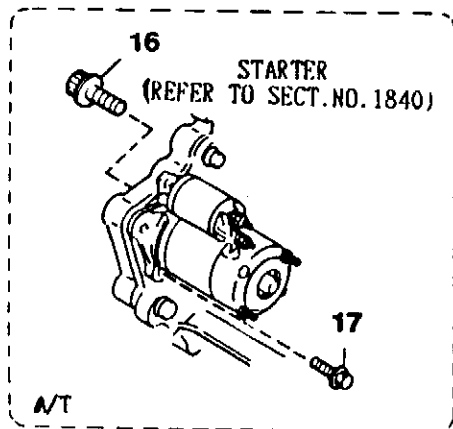
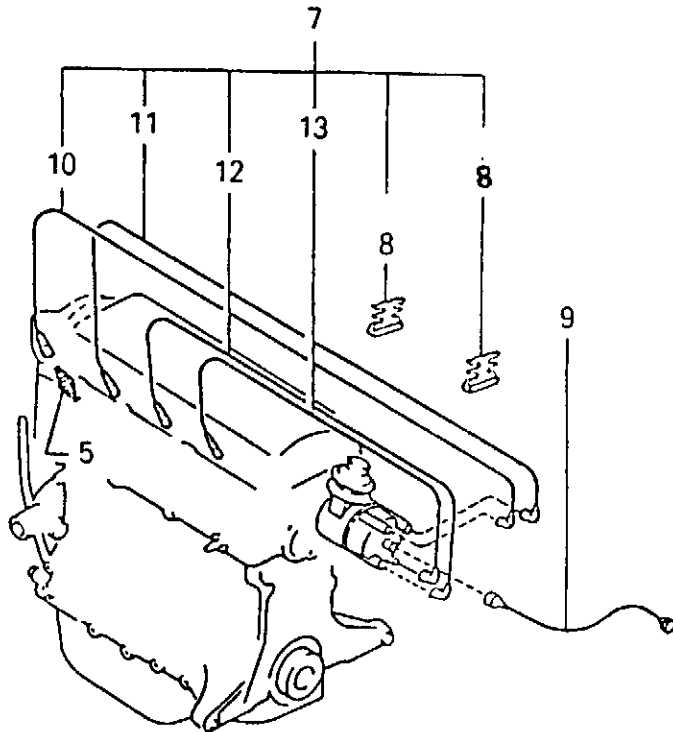
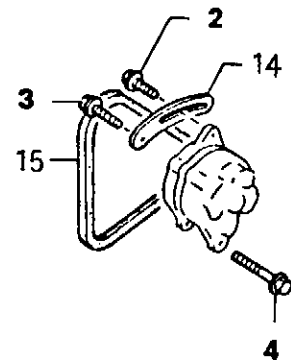
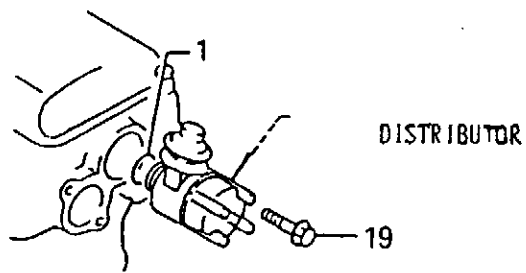
REF.	PART NO.	DESCRIPTION	QTY
1	0418	Cover, Front	1
2	0419	Cover, Assembly, Rear	1
3	0420	Cover, Rear	1
4	0421	Plug	1
<hr/>			
5	0422	Alternator	1
6	0423	Stator	1
7	0424	Bearing, Ball	1
8	0425	Rectifier	1
<hr/>			
9	0426	Bearing, Ball	1
10	0427	Regulator	1
11	0428	Spring, Brush	2
12	0429	Brush	2
<hr/>			
13	0430	Screw Set	1
14	0431	Pulley	1
15	0432	Nut Set	1
16	0434	Nut Set	1
<hr/>			
17	0433	Screw Set	1
18	0435	Rotor	1



STARTER

p.61

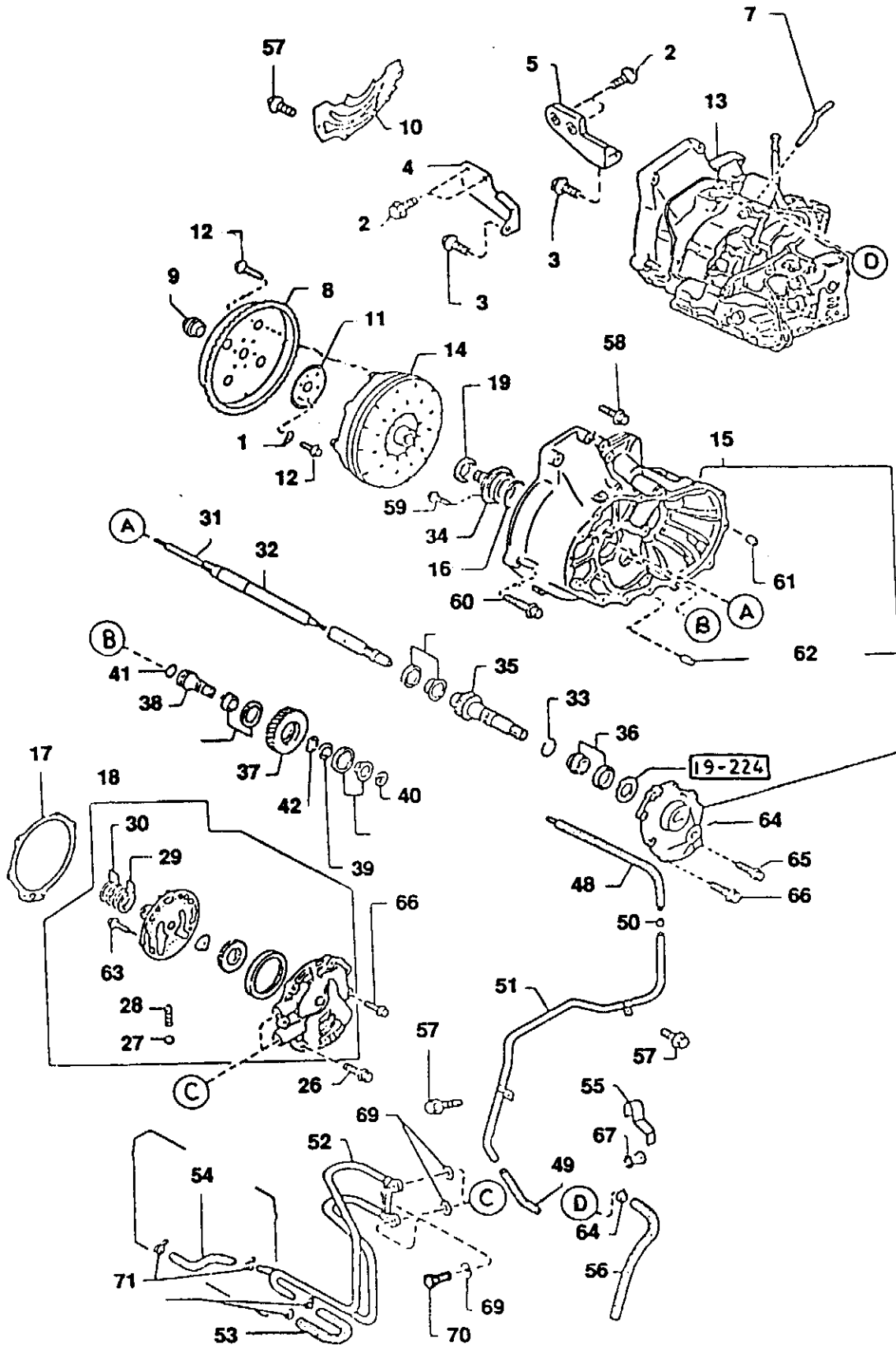
REF.	PART NO.	DESCRIPTION	QTY
1	0436	Starter	1
2	0437	Yoke	1
3	0438	Bracket, Front	1
4	0439	Stopper	1
<hr/>			
5	0440	Armature	1
6	0441	Clutch, Over Running	1
7	0442	Washer Set	1
8	0443	Lever	1
<hr/>			
9	0444	Bolt	2
10	0445	Bracket, Rear	1
11	0446	Holder, Brush	1
12	0447	Switch	1
<hr/>			



ENGINE ELECTRICAL SYSTEM

p.63

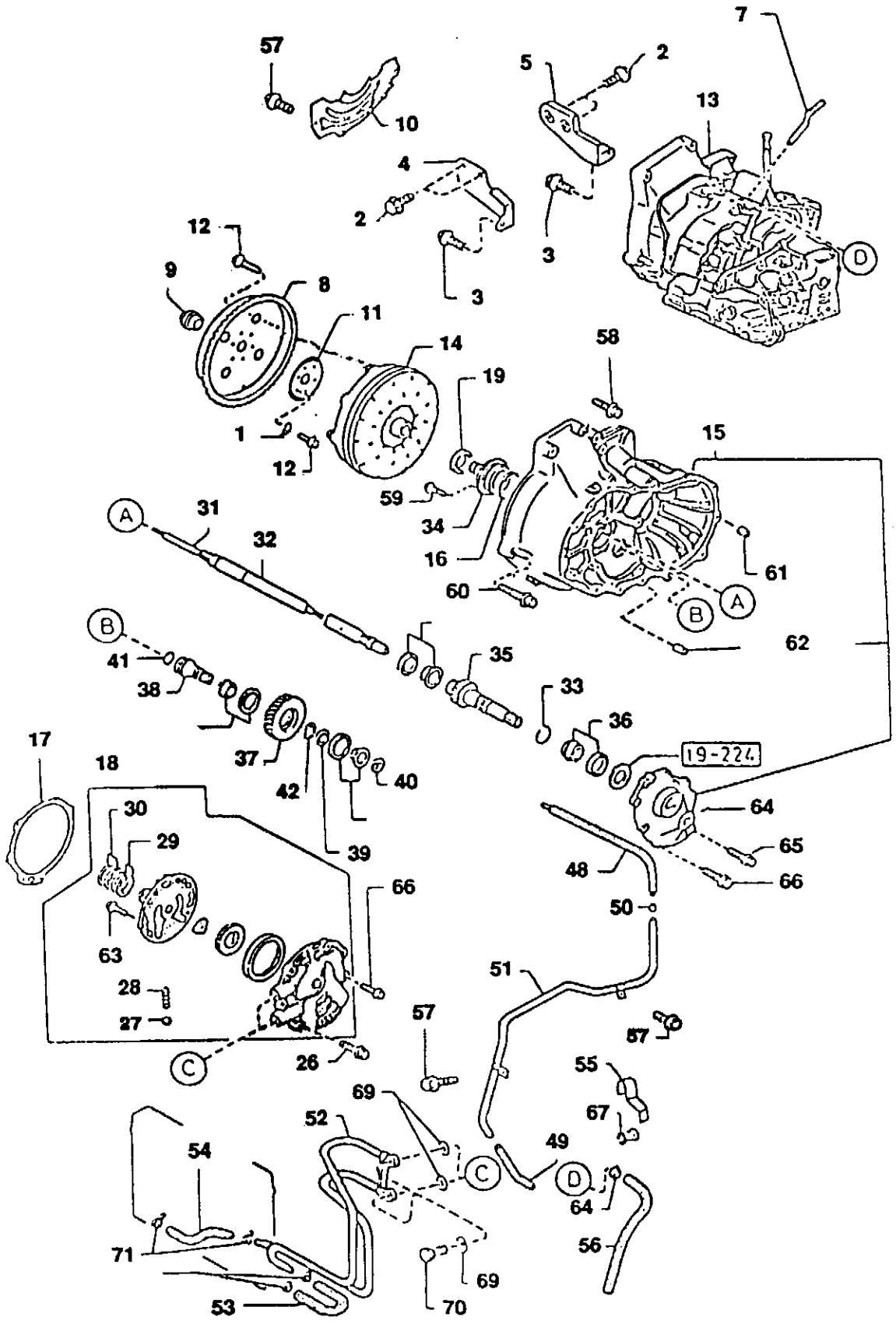
REF.	PART NO.	DESCRIPTION	QTY
1	0387	Ring	1
2	0406	Bolt	1
3	0405	Bolt	1
4	0407	Bolt	1
<hr/>			
5	0391	Plug, Spark	4
6	0393	Bracket, IG. Coil	1
7	0393	Cord Set, Hi. Tension	1
8	0395	Supporter	1
<hr/>			
9	0394	Cord, Hi. Tension	1
10	0396	Cord No. 1, Hi. Tension	1
11	0397	Cord No. 2, Hi. Tension	1
12	0398	Cord No. 3, Hi. Tension	1
<hr/>			
13	0399	Cord No. 4, Hi. Tension	1
14	0400	Strap, Alternator	1
15	0401	Belt, V	1
16	0410	Bolt	2
<hr/>			
17	0411	Bolt	1



TORQUE CONVERTER, OIL PUMP & PIPING (AUTOMATIC) p.1/2

p.65

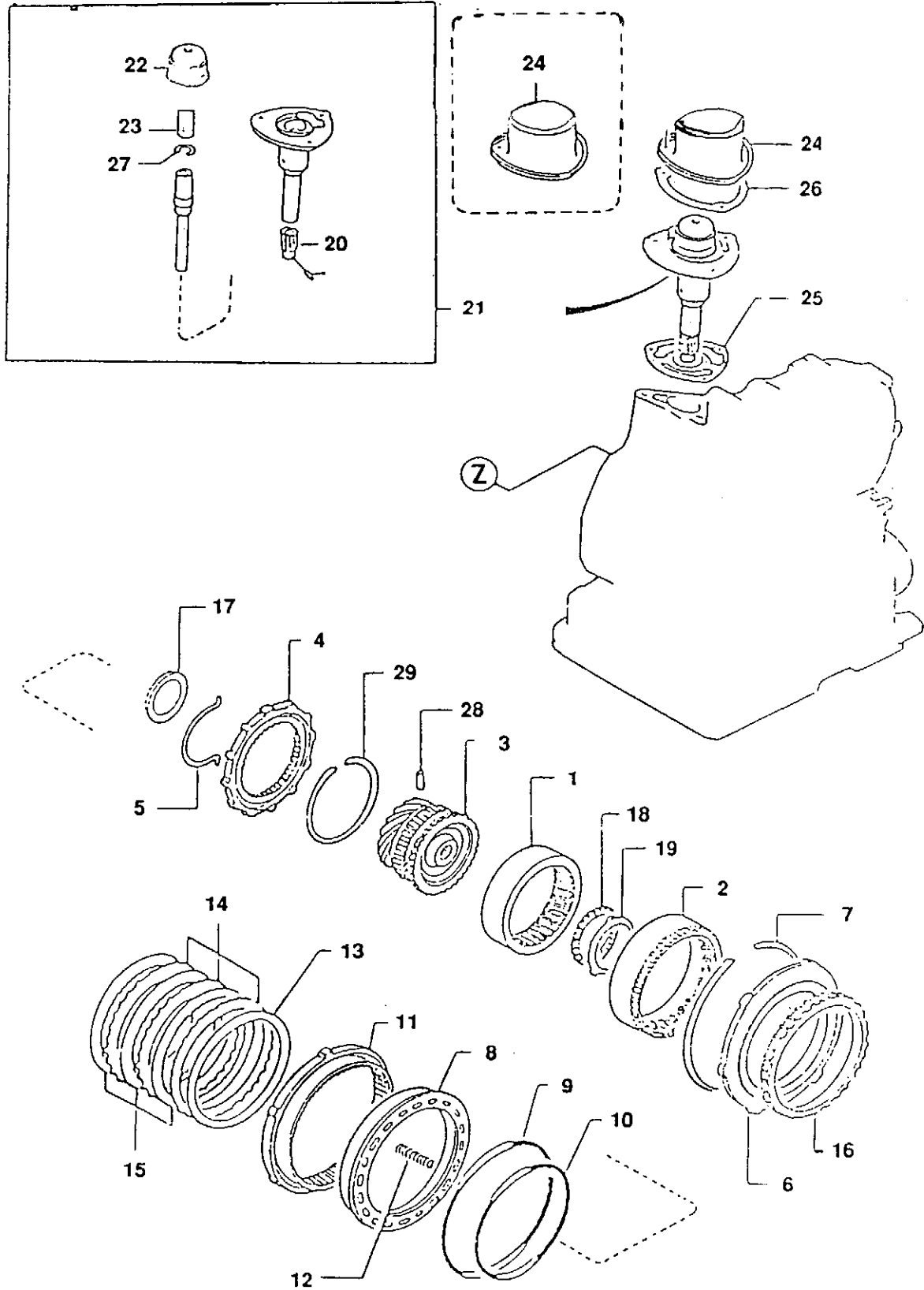
REF.	PART NO.	DESCRIPTION	QTY
1	0448	Washer, Plain	6
2	0449	Bolt	4
3	0450	Bolt	2
4	0451	Plate, Gusset - Front	1
5	0452	Plate, Gusset - Rear	1
6	0453	Breather, Air-Transmission	1
7	0454	Plate, Drive	7
8	0455	Adapter, Drive Plate	1
9	0456	Cover, Under	1
10	0457	Plate, Backing	1
11	0458	Bolt	4
12	0459	Bolt, Lock	6
13	0461	Transmission Coupler	1
14	0460	Converter, Torque	1
15	0462	Housing, Converter	1
16	0463	Ring, O	1
17	0464	Gasket, Oil Pump Asbestos	1
18	0465	Pump, Oil	1
19	0466	Seal, Oil	1
20	0467	Shim T = 0.1 mm	3
	0468	Shim T = 0.12 mm	3
	0469	Shim T = 0.14 mm	3
	0470	Shim T = 0.16 mm	3
	0471	Shim T = 0.18 mm	3
	0472	Shim T = 0.5 mm	3
26	0473	Bolt	3
27	0474	Ball	1
28	0475	Spring	1
29	0476	Ring, Seal	2
30	0477	Ring, Seal	2
31	0478	Shaft, Oil Pump	1
32	0479	Shaft, Turbine	1
33	0480	Ring, Snap	1
34	0481	Cover, Bearing	1
35	0482	Gear, Output	1
36	0483	Bearing, Roller	4
37	0484	Gear, Idle	1
38	0485	Shaft, Idle Gear	1
39	0486	Spacer, Idle Gear	1
40	0487	Nut, Idle Gear	1
41	0488	Ring, O	1



TORQUE CONVERTER, OIL PUMP & PIPING (AUTOMATIC) p.2/2

p.67

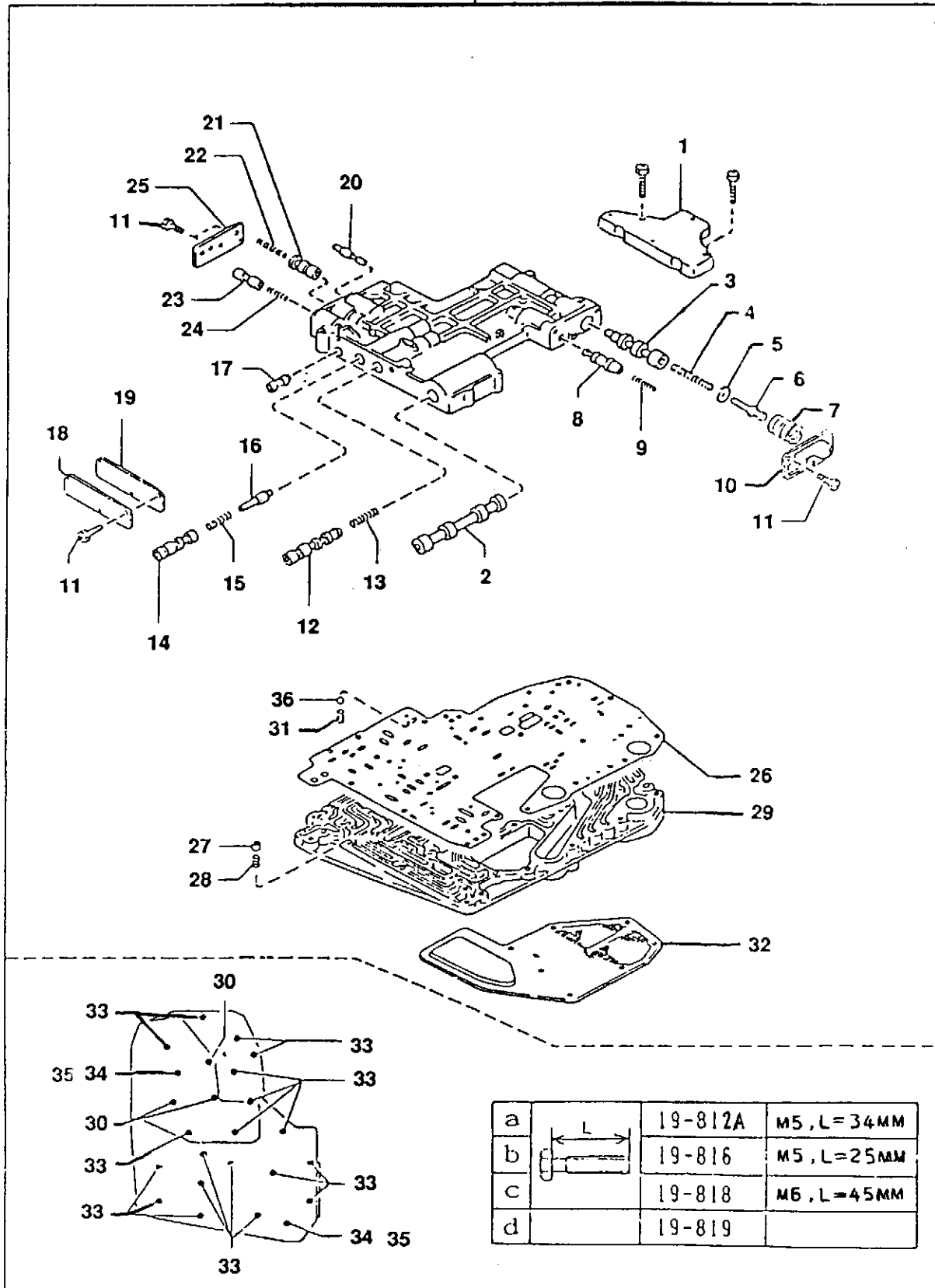
REF.	PART NO.	DESCRIPTION	QTY
42	0489	Shim T = 0.1 mm	3
	0490	Shim T = 0.12 mm	3
	0491	Shim T = 0.16 mm	3
	0492	Shim T = 0.14 mm	3
	0493	Shim T = 0.14 mm	3
	0494	Shim T = 0.5 mm	3
48	0495	Hose, Vacuum	1
49	0496	Hose, Vacuum	1
50	0497	Insert	1
51	0498	Pipe, Vacuum	1
52	0499	Pipe, Oil	1
53	0500	Hose, Oil	1
54	0501	Hose, Oil	1
55	0502	Clip	1
56	0503	Hose	1
57	0204	Bolt	4
58	0505	Bolt	2
59	0514	Bolt	1
60	0506	Bolt	1
61	0507	Alignment Stud	1
62	0508	Alignment Stud	1
63	0509	Bolt	2
64	0510	Cotter Pin	1
65	0511	Bolt	1
66	0512	Bolt	2
67	0516	Bolt	1
68	0262	Clip	2
69	0519	Washer	
70	0511	Bolt	
71	1003	Clip	



GOVERNOR, LOW & REVERSE PISTON (AUTOMATIC)

p.69

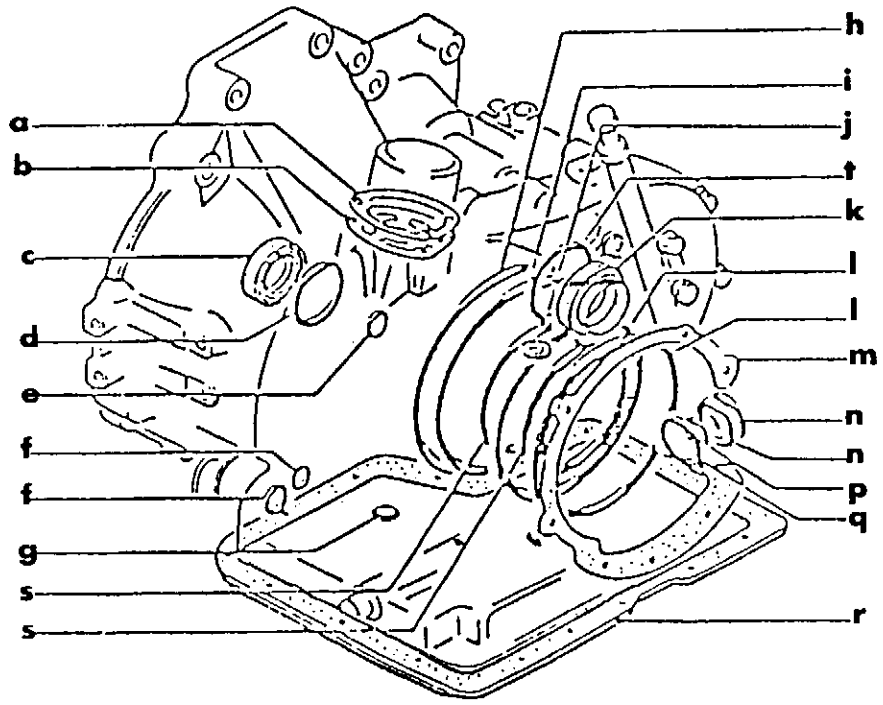
REF.	PART NO.	DESCRIPTION	QTY
1	0654	Gear, Internal	1
2	0655	Race, Inner - O.W.C.	1
3	0658	Hub, Drive	1
4	0659	Gear, Parking	1
5	0660	Spring, Parking Gear	1
6	0661	Clutch, One Way	1
7	0662	Ring, Snap	1
8	0663	Piston, Low & Reverse	1
9	0664	Seal, Piston	1
10	0665	Seal, O-Ring	1
11	0666	Hub, Low & Reverse	1
12	0667	Spring, Piston	20
13	0668	Plate, Dished	1
14	0669	Plate, Driven	3
15	0670	Plate, Drive	3
16	0671	Plate, Retaining T = 8.2 mm	1
	0672	T = 8.4 mm	1
	0673	T = 8.6 mm	1
	0674	T = 8.8 mm	1
	0675	T = 8 mm	1
	0676	T = 7.8 mm	1
17	0677	Bearing, Needle	1
18	0678	Bearing, Needle	1
19	0679	Race, Bearing	1
20	0680	Gear, Governor Driven	1
21	0681	Governor	1
22	0682	Valve, Governor	1
23	0683	Filter, Governor	1
24	0684	Cover, Governor	1
	0688	Cover, Governor	1
25	0685	Gasket, Governor Asbestos	1
26	0686	Gasket, Governor Cover Asbestos	1
27	0687	Clamp, Filter - Governor	1



CONTROL VALVE (AUTOMATIC)

p.71

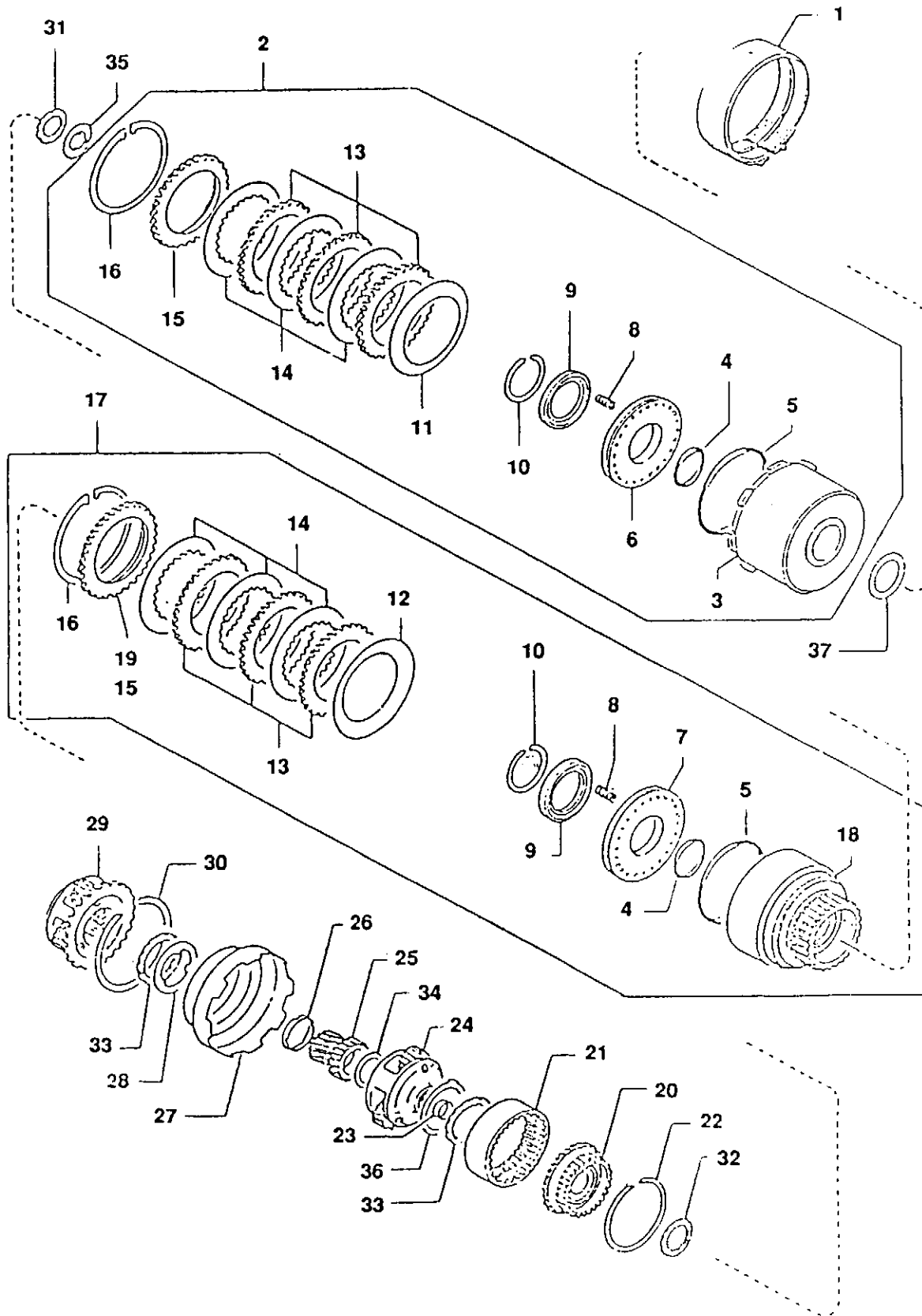
REF.	PART NO.	DESCRIPTION	QTY
1	0563	Body, Valve Upper	1
2	0574	Valve, Manual	1
	0564	Valve, Manual	1
3	0565	Valve, Regulator	1
4	0566	Spring, Regulator	1
5	0567	Seat, Regulator Spring	1
6	0568	Plug, Regulator	1
7	0569	Sleeve, Regulator Plug	1
8	0570	Valve, Second Lock	1
9	0571	Spring, Second Lock	1
10	0572	Plate, Side "D"	1
11	0573	Screw	3
	0574	Screw	5
12	0575	Valve, 1-2 Shift	1
13	0576	Spring, 1-2 Shift	1
14	0577	Valve, 2-3 Shift	1
15	0578	Spring, 2-3 Shift	1
16	0579	Plug, 2-3 Shift	1
17	0580	Valve, Modifier	1
18	0581	Plate, Side "A"	1
19	0582	Plate	1
20	0583	Valve, Throttle	1
21	0584	Valve, Throttle Back-Up	1
22	0585	Spring	1
23	0586	Valve, Down Shift	1
24	0587	Spring, Down Shift	1
25	0588	Plate, Side "B"	1
26	0589	Plate, Separator	1
27	0590	Valve, Orifice Check	1
28	0591	Spring	1
29	0592	Body, Valve LWR	1
30	0593	Screw	3
31	0594	Spring	1
32	0595	Strainer, Oil	1
33	0596	Screw	19
34	0597	Bolt	2
35	0598	Nut	2



GASKET & SEAL KIT (AUTOMATIC)

p.73

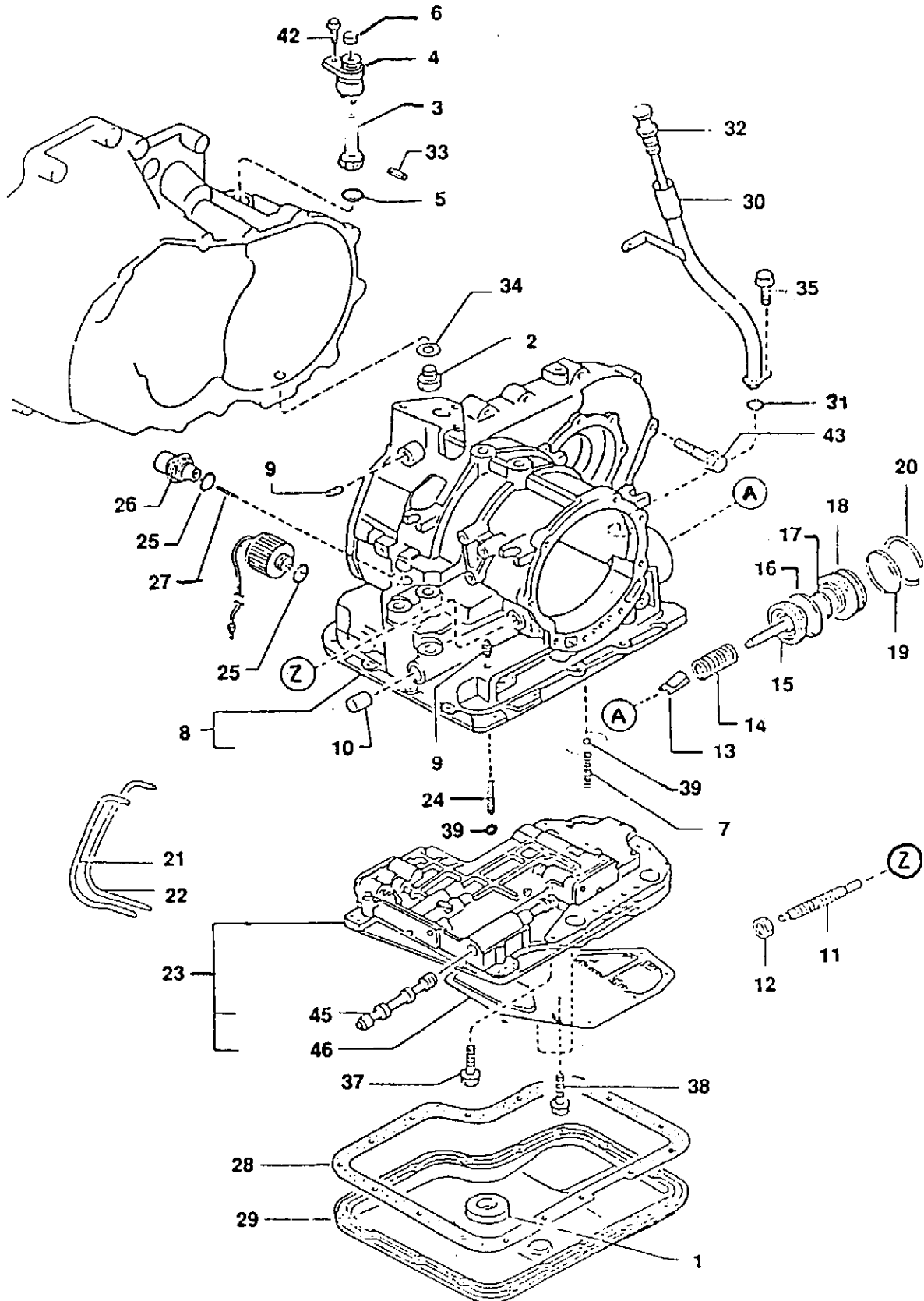
REF.	PART NO.	DESCRIPTION	QTY
1	0715	Gasket & Seal Kit Asbestos	1
a		Gasket, Governor Cover	1
b		Gasket, Governor	1
c		Seal, Oil	1
d		Ring, O	1
e		Ring, O	1
f		Seal, O-Ring	1
g		Ring, O	1
h		Seal, Piston	1
i		Seal, O-Ring	1
j		Gasket	1
k		Seal, Oil	2
l		Seal, Lathe Cut	2
m		Gasket, Oil Pump	1
n		Ring, O	2
p		Seal, Piston	1
q		Seal, Piston	1
r		Gasket, Oil Pan	1
s		Seal, O-Ring	2
t		Ring, O	1



CLUTCHES & PLANETARY GEARS (AUTOMATIC)

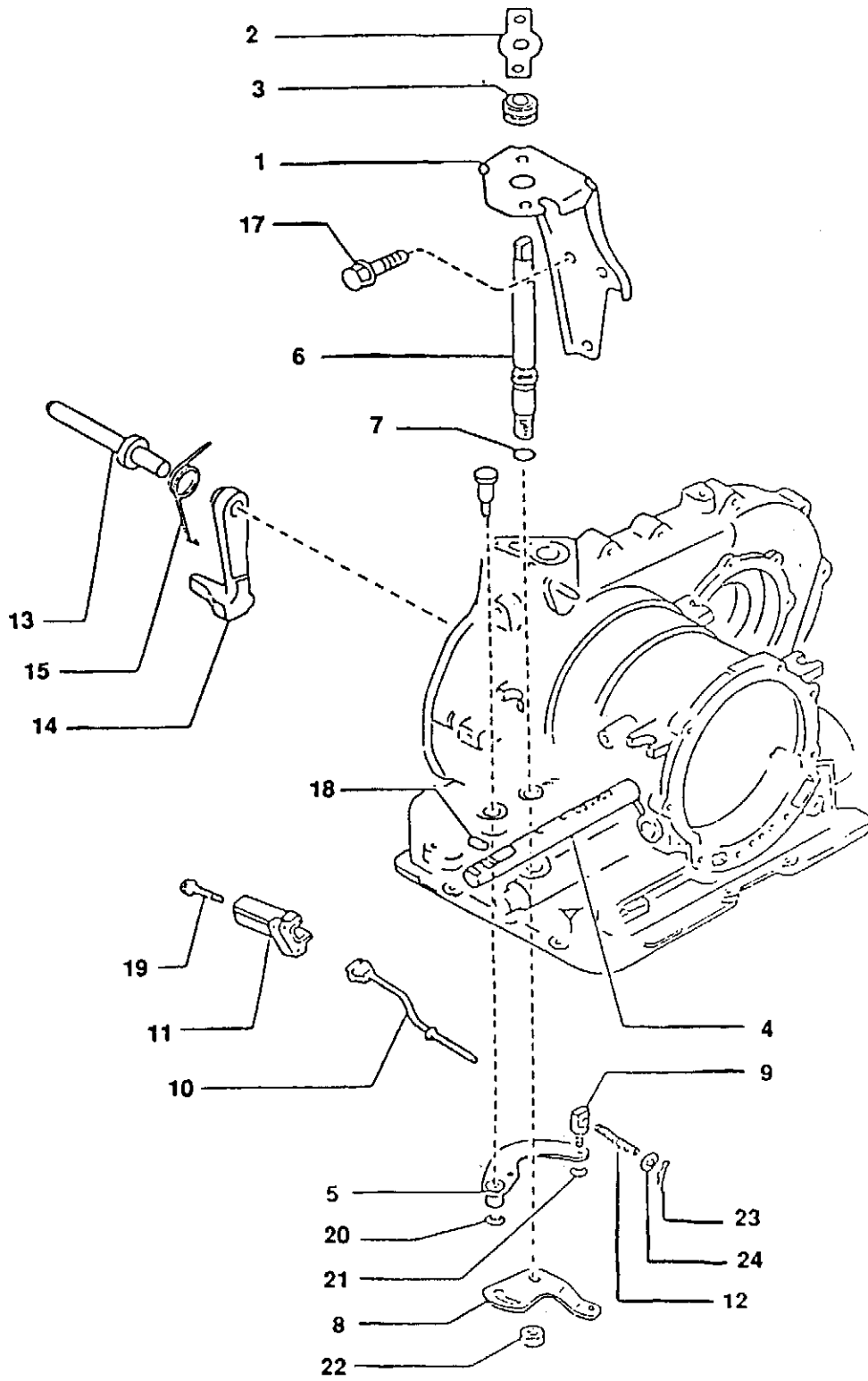
p.75

REF.	PART NO.	DESCRIPTION	QTY
1	0599	Band, Brake	1
2	0602	Clutch, Front	1
3	0600	Drum, Clutch	1
4	0601	Seal O-Ring	2
5	0603	Seal, Lathe Cut	1
	0604	Seal, Lathe Cut	1
6	0605	Piston, Clutch	1
7	0606	Piston, Clutch	1
8	0607	Spring, Piston Return	20
9	0608	Retainer, Spring	2
10	0609	Ring, Snap	2
11	0610	Plate, Dished	1
12	0611	Plate, Dished	1
13	0612	Plate, Driven	6
14	0613	Plate Drive	6
15	0614	Plate, Retaining T = 5 mm	1
	0615	T = 5.2 mm	2
	0616	T = 5.4 mm	2
	0617	T = 5.6 mm	2
	0618	T = 5.8 mm	2
	0619	T = 6 mm	2
	0620	T = 6.2 mm	2
16	0621	Ring, Snap	2
17	0622	Clutch, Rear	1
18	0623	Rear Clutch	1
19	0624	Plate, Retaining = 4.8 mm	1
20	0625	Hub, Rear Clutch	1
21	0626	Gear, Internal	1
22	0627	Ring, Snap	1
23	0628	Sleeve, Seal	1
24	0629	Carrier, Front	1
25	0630	Gear, Sun	1
26	0631	Spacer, Sun Gear	1
27	0632	Shell, Connecting	1
28	0633	Race, Shell Bearing	1
29	0634	Carrier Rear	1
30	0635	Ring, Snap	1
31	0636	Bearing, Needle	1
32	0637	Bearing, Needle	1
33	0638	Bearing, Needle	2
34	0639	Bearing, Needle	1



TRANSMISSION CASE & MAIN CONTROL SYSTEM (AUTOMATIC)

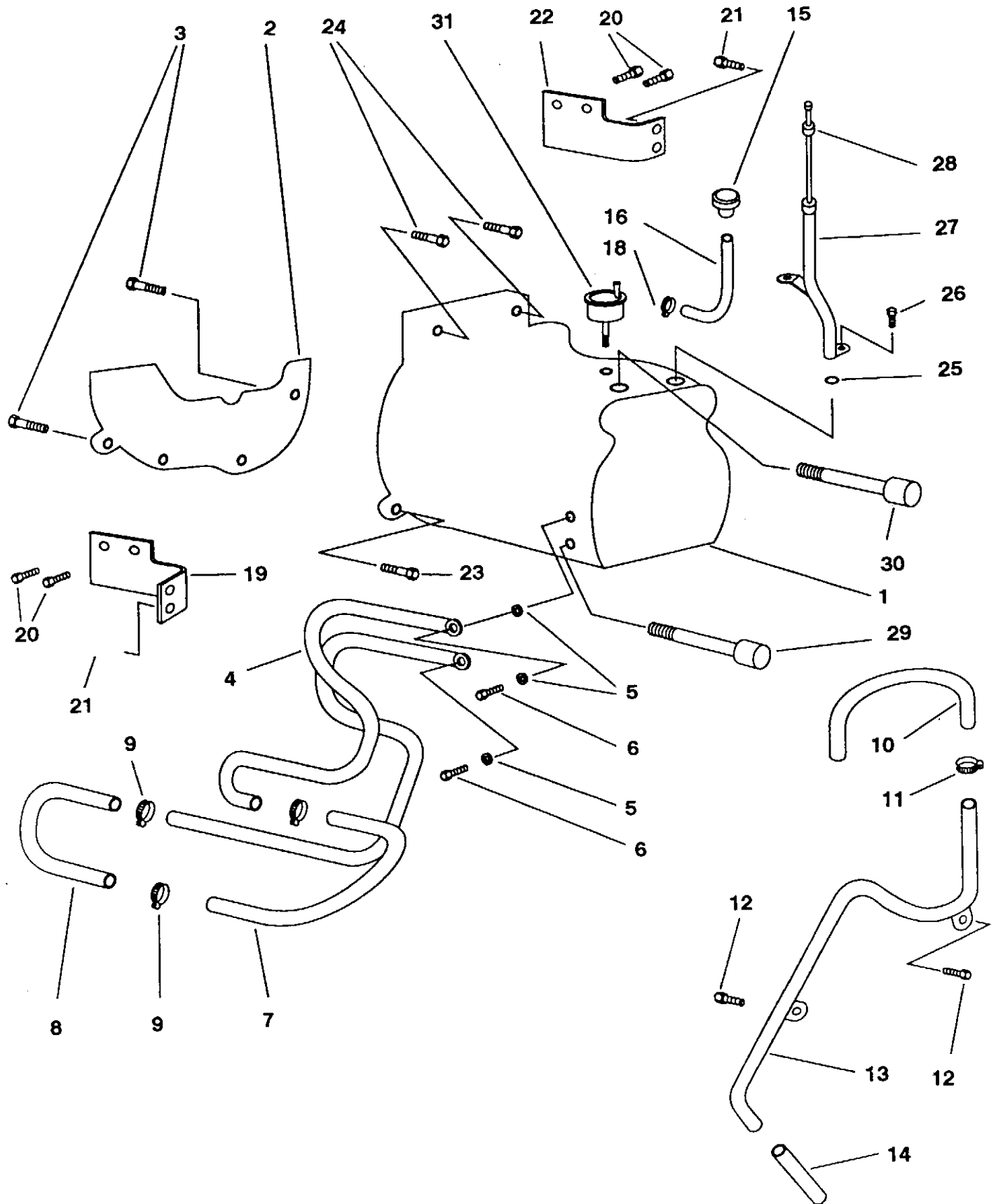
REF.	PART NO.	DESCRIPTION	QTY
1	0520	Magnet	1
2	0521	Plug, Magnet	1
3	0522	Gear, Driven N = 23	1
4	0523	Sleeve, Speedometer	1
5	0524	Ring, O	1
6	0525	Seal, Oil	1
7	0526	Spring	1
8	0527	Case, Transmission	1
9	0528	Plug, Square Head	2
10	0529	Cap, Transmission Case	1
11	0530	Bolt, Anchor End	1
12	0531	Nut	1
13	0532	Strut, Band	1
14	0533	Spring, Piston Return	1
15	0534	Piston, Band Servo	1
16	0535	Seal, Piston	1
17	0536	Seal, Piston	1
18	0537	Retainer, Servo	1
19	0538	Ring, O	1
20	0539	Ring, Snap	1
21	0540	Pipe, Gov. - In	1
22	0541	Pipe, Gov. - Out	1
23	0542	Valve, Control	1
24	0543	Spring	1
25	0544	Seal,)-Ring	2
26	0545	Diaphragm, Vacuum	1
27	0546	Rod, Diaphragm L = 31.5 mm	1
	0547	Rod, Diaphragm L = 30 mm	1
	0548	Rod, Diaphragm L = 31 mm	1
	0549	Rod, Diaphragm L = 30.5 mm	1
	0550	Rod, Diaphragm L - 29.5 mm	1
28	0551	Gasket, Oil Pan Asbestos	1
29	0552	Pan, Oil	1
30	0553	Tube, Oil Level	1
31	0554	Ring, O	1
32	0555	Gauge, Oil Level	1
33	0556	Roll Pin	1
34	0557	Washer	1
35	0204	Bolt	1
36	0562	Washer	2
37	0560	Bolt	1
38	0561	Bolt	1
39	0562	Bolt	15
40	0897	Bolt	10
41	0952	Bolt	1



MANUAL LINKAGE SYSTEM (AUTOMATIC)

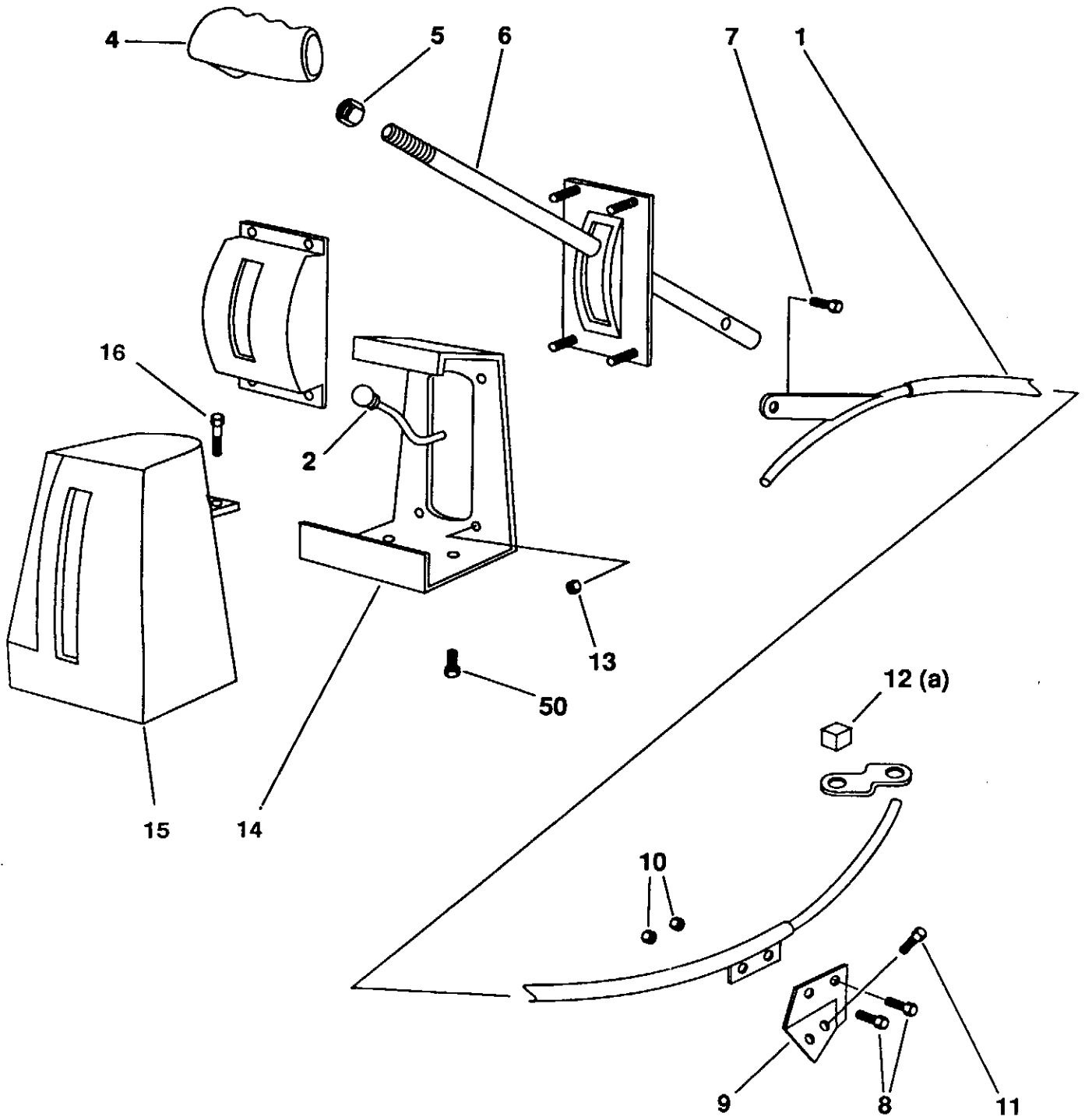
p.79

REF.	PART NO.	DESCRIPTION	QTY
1	0689	Bracket, Rod	1
2	0690	Plate	1
3	0691	Bush, Rubber	1
4	0692	Rod, Control	1
5	0693	Lever, Parking	1
6	0694	Shaft, Manual	1
7	0695	Ring, O	1
8	0696	Plate, Manual	1
9	0697	Joint, Parking	1
10	0698	Rod, Parking	1
11	0699	Supporter, Actuator	1
12	0700	Spring, Ball Park	1
13	0701	Shaft, Parking Pawl	1
14	0702	Pawl, Parking	1
15	0703	Spring, Pawl, Return	1



TRANSMISSION PIPING & ATTACHMENTS

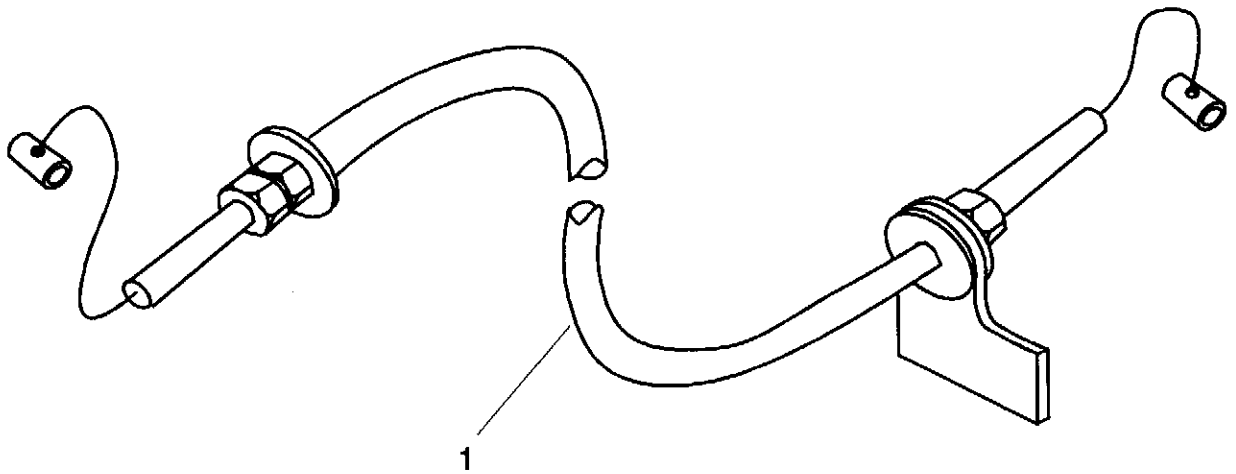
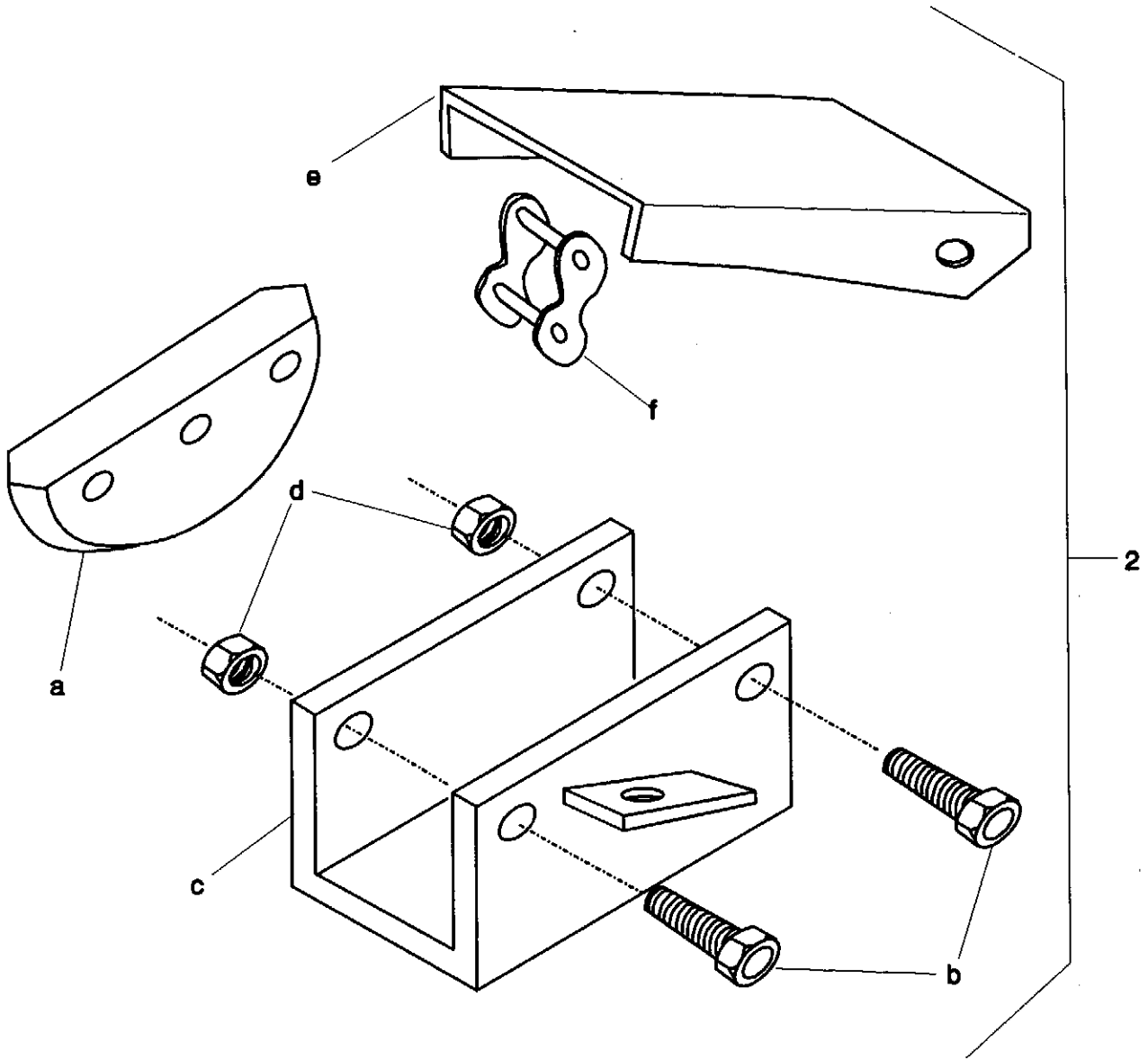
REF.	PART NO.	DESCRIPTION	QTY
1	0461	Transmission (AT)	1
2	0456	Cover, Under	1
3	0204	Bolt	6
4	0499	Pipe - Oil	1
5	0519	Washer	4
6	0518	Bolt	2
7	1408	Hose - At Line	1
8	1408	Hose - At Line	1
9	1086	Clamp	4
10	0495	Hose - Vacuum	1
11	0497	Insert	1
12	0204	Bolt	2
13	0498	Pipe - Vacuum	1
14	0496	Hose - Vacuum	1
15	0453	Breather	1
16	1675	Hose - Vacuum	1
17	1902	Tywrap	1
18	0262	Clip	1
19	0451	Plate - Gusset	1
20	0449	Bolt	4
21	0450	Bolt	2
22	0452	Plate Gusset	1
23	0505	Bolt	4
24	0505	Bolt	2
25	1089	O-Ring	1
26	0204	Bolt	1
27	1673	Tube - Oil Level	1
28	1674	Gauge - Oil Level	1
29	1904	Switch - Lamp	1
30	1905	Switch - Neutral	1
31	0004	Sender - Magnetic Speedo	1



TRANSMISSION CABLE & SHIFTER

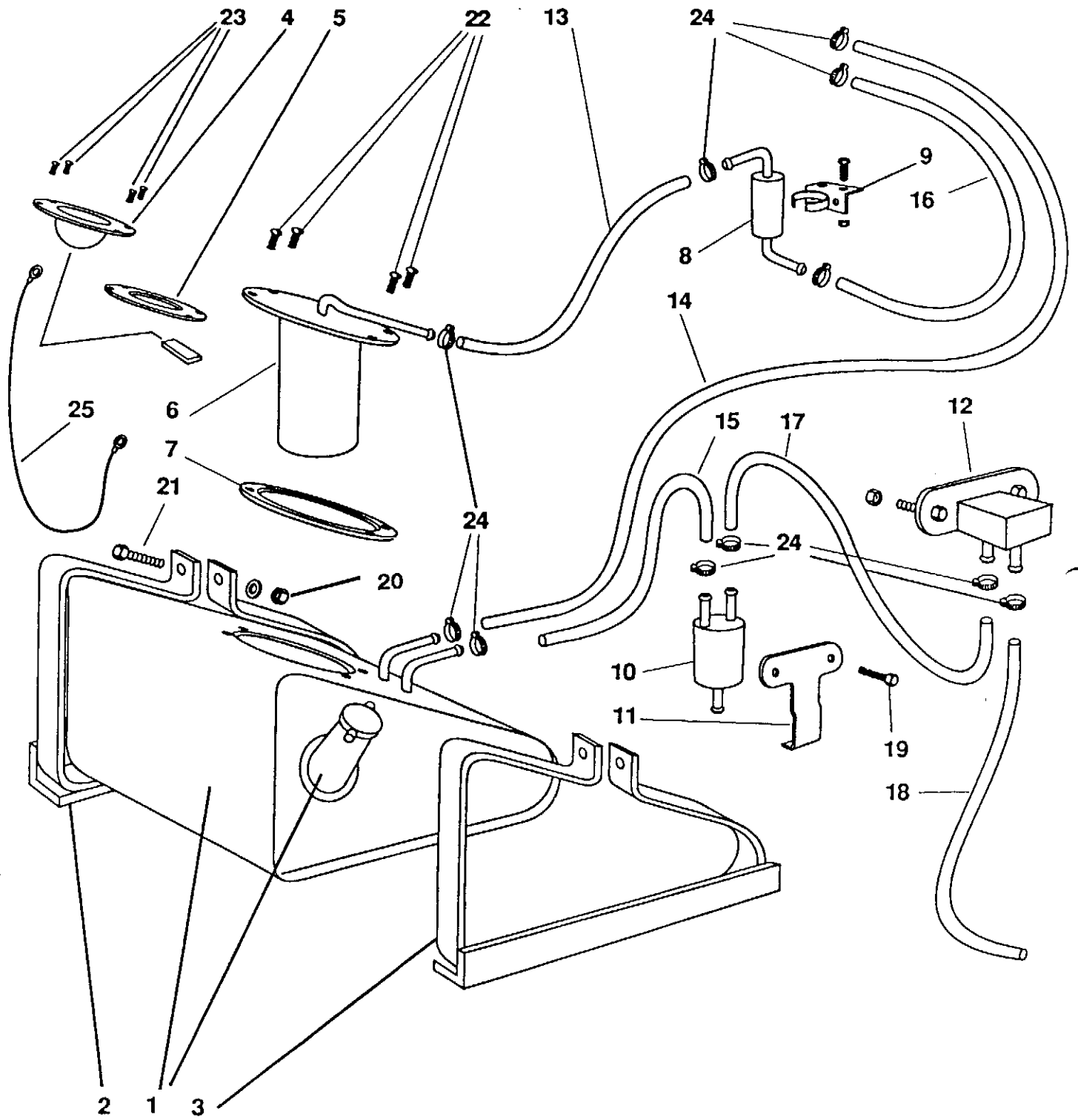
p.83

REF.	PART NO.	DESCRIPTION	QTY
1	0964	Cable - Shifter	1
2	0974	Bulb (RP)	1
4	0958	Knob - Shifter	1
5	0954	Nut	1
<hr/>			
6	1081	Change Lever Assembly	1
8	1035	Bolt	2
9	1280	Bracket, Trans Cable	1
<hr/>			
10	1036	Nut	2
11	0952	Bolt (CW Transmission)	
13	0971	Nut	
14	71288	Bracket, Shifter	1
<hr/>			
15	1514	Cover - Shifter	1
16	1035	Bolt	4



THROTTLE

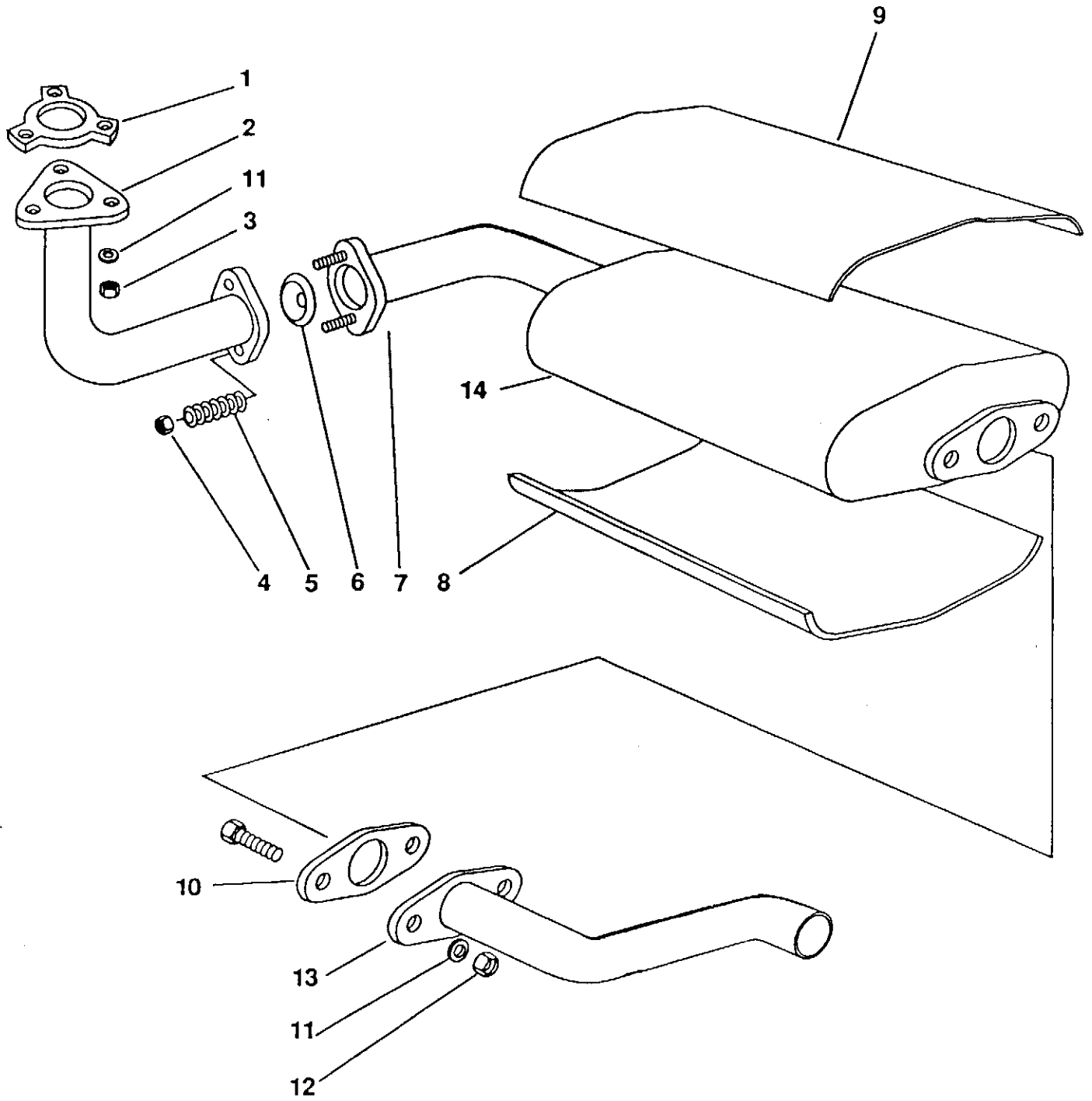
REF.	PART NO.	DESCRIPTION	QTY
1	1506	Throttle Cable	1
2	2206	Throttle Pedal Assembly	1
.a	1577	Cam, accelerator	
.b	1036	Screw	
.c	2322	Base, accelerator pedal	
<hr/>			
.d	1036	Nut	
.e	2318	Pedal	
.f	1581	Connecting Link	



FUEL & EMISSIONS SYSTEM - INTAKE

p.87

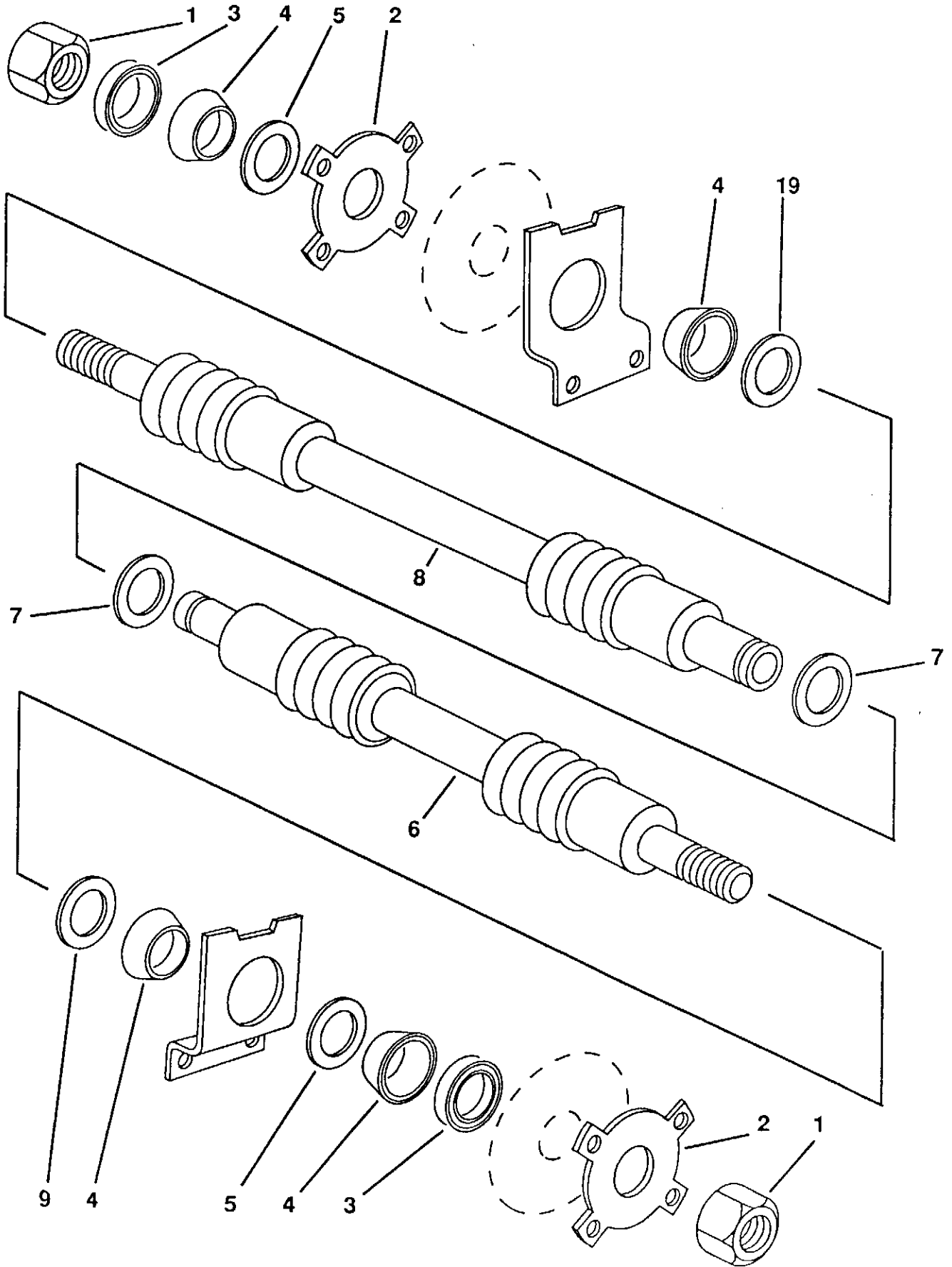
REF.	PART NO.	DESCRIPTION	QTY
1	1316	Tank, Fuel	1
	1923	Cap - Reference	RP
2	2111	Strap - F.T. Right	1
3	2111	Strap - F.T. Left	1
4	0006	Sender - Fuel Tank	1
5	1924	Gasket, Fuel Tank	1
6	0256	Pump - Fuel	1
7	0255	Gasket (F. Pump)	REF
8	0257	Filter (Fuel)	1
9	1907	Bracket - Fuel Filter	1
10	0260	Canister	1
11	0259	Bracket	1
12	0312	Valve - 3 Way	1
13	1730	Hose - Pump Filter	1
14	1729	Hose - Injectors Tank	1
15	1731	Hose - Canister Tank	1
16	1732	Hose - F. Pump Manifold	1
17	1728	Hose - Canister 3 Way Valve	1
18	0321	Hose	1
19	1463	Bolt - SF	2
20	1036	Nut	10
21	0224	Bolt	2
22	1777	Screw	8
23	1777	Screw	
24	0261	Clamp - Hose	8
25	0504	Wire - Sender to Grd.	1



EXHAUST SYSTEM

p.89

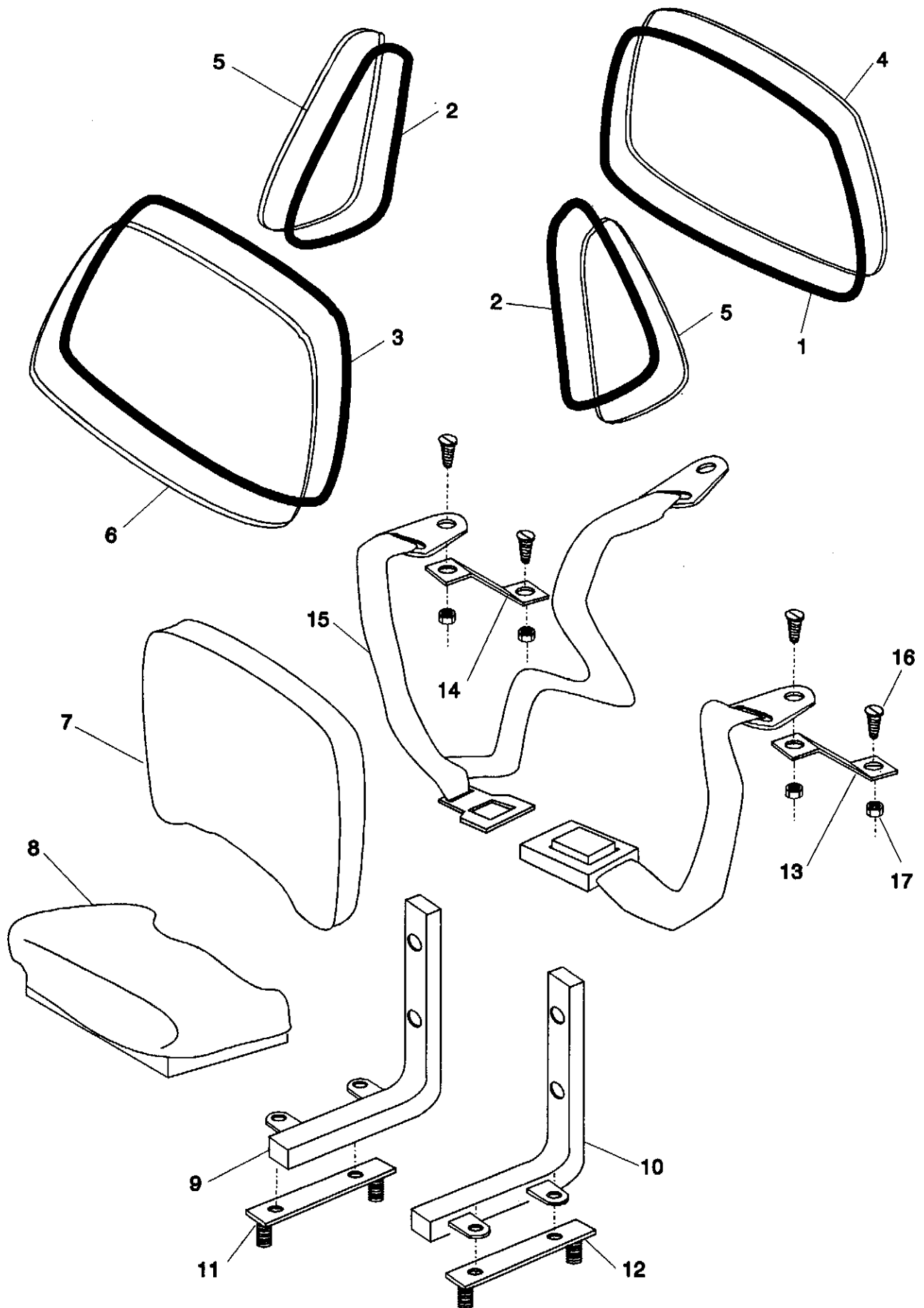
REF.	PART NO.	DESCRIPTION	QTY
1	0917	Gasket - Manifold/Pipe	1
2	0918	Manifold - Exhaust Pipe	1
3	0920	Nut	3
4	0920	Nut	2
<hr/>			
5	0923	Spring	3
6	0922	Donut - Exhaust	1
7	1664	Converter - Catalytic	1
8	0925	Protector - Bottom	1
<hr/>			
9	0924	Protector - Top	1
10	0919	Gasket - Catalytic Converter	1
11	0911	Washer	2
12	0920	Nut	2
<hr/>			
13	2367	Pipe - Tail	1
14	0914	Nut	6



DRIVE AXLES

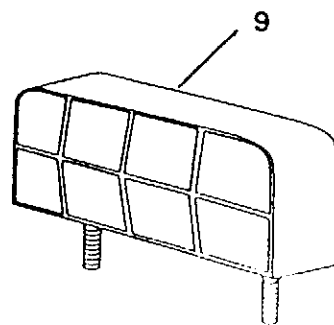
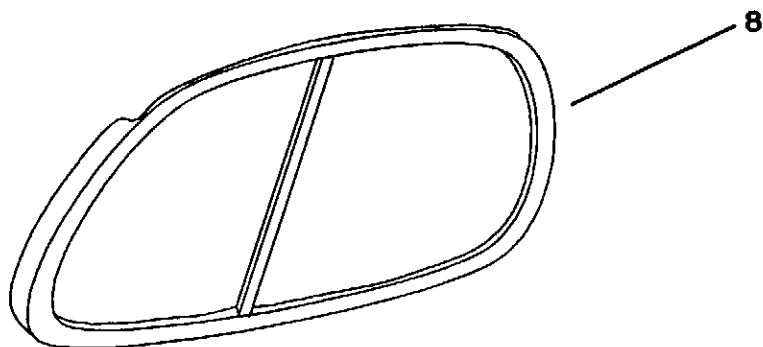
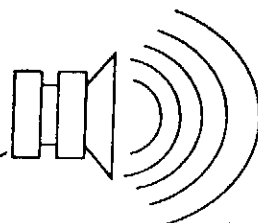
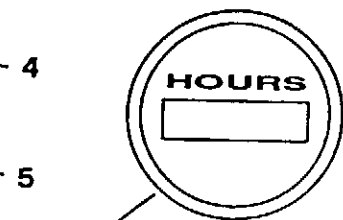
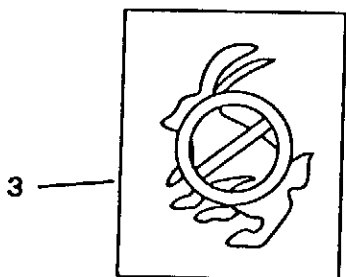
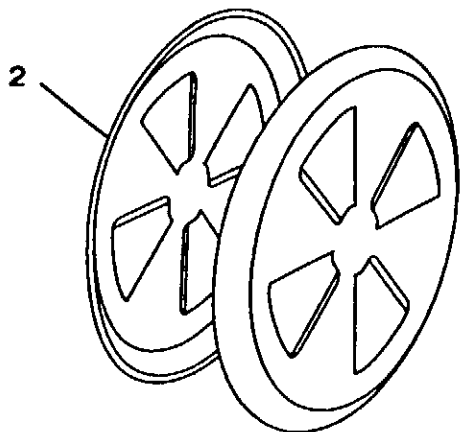
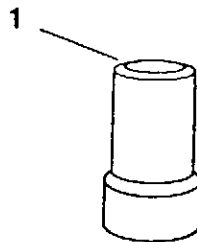
p.91

REF.	PART NO.	DESCRIPTION	QTY
1	0751	Nut	2
2	0753	Hub - Wheel	2
3	0755	Seal - Outer	2
4	0752	Bearing, Rear Wheel	2
5.1	0750	Bearing Spacer 6.28	A/R
5.2	0775	Spacer 6.32	A/R
5.3	0776	Spacer 6.36	A/R
5.4	0777	Spacer 6.40	A/R
5.5	0778	Spacer 6.445	A/R
5.6	0779	Spacer 6.52	A/R
5.7	0780	Spacer 6.565	A/R
5.8	0781	Spacer 6.605	A/R
5.9	0783	Spacer 6.645	A/R
5.11	0784	Spacer 6.685	A/R
5.12	0785	Spacer 6.725	A/R
5.13	0786	Spacer 6.765	A/R
5.14	0787	Spacer 6.805	A/R
5.15	0788	Spacer 6.845	A/R
5.16	0789	Spacer 6.885	A/R
5.17	0790	Spacer 6.925	A/R
5.18	0791	Spacer 6.96	A/R
5.19	0792	Spacer 7.005	A/R
5.20	0793	Spacer 7.045	A/R
5.21	0794	Spacer 7.085	A/R
5.22	0795	Spacer 7.125	A/R
5.27	0796	Spacer 7.165	A/R
5.28	0798	Spacer 7.245	A/R
5.29	0799	Spacer 7.285	A/R
5.30	1632	Spacer 7.205	A/R
5.31	1633	Spacer 7.325	A/R
5.32	1634	Spacer 7.365	A/R
6	0745	Driveshaft (Short) Left	1
7	0747	Clip	2
8	0744	Driveshaft (Long) Right	1
9	0754	Seal Inner	2



WINDOW AND SEAT (INCLUDING BELT)

REF.	PART NO.	DESCRIPTION	QTY
1	2260	Moulding - Rear	1
2	2261	Moulding - Side	2
3	2259	Moulding - Front	1
4	0995	Glass - Rear	1
5	0996	Glass - Side (Rear)	2
6	0994	Glass - Front	1
7	2372	Cushion - Top	1
8	2030	Cushion - Bottom (bench)	1
	2031	Cushion - Bottom (bucket)	1
9	1598	Frame - Right Seat	1
10	1602	Frame - Left Seat	1
11	0024	Slider - Right	1
12	0024	Slider - Left	1
13	2140	Strap, LH Seat Belt Anchor	1
14	2076	Strap, RH Seat Best Strap	1
15	0344	Shoulder Belt	1
16	0816	Nut	4
17	0817	Nut	2



OPTIONS

REF.	PART NO.	DESCRIPTION	QTY
1	9013	Beacon - Strobe Amber	
2	0384	Covers - Wheels (Pair)	
3	0385	Speed Governor	
4	1552	Decal - PARKING PATROL	
<hr/>			
5	1551	Decal - POLICE	
6	0011	Hourmeter	
7	1011	Backup Alarm	
8	2309	Sliding Rear Window	
<hr/>			
9	1016	Head Rest	

