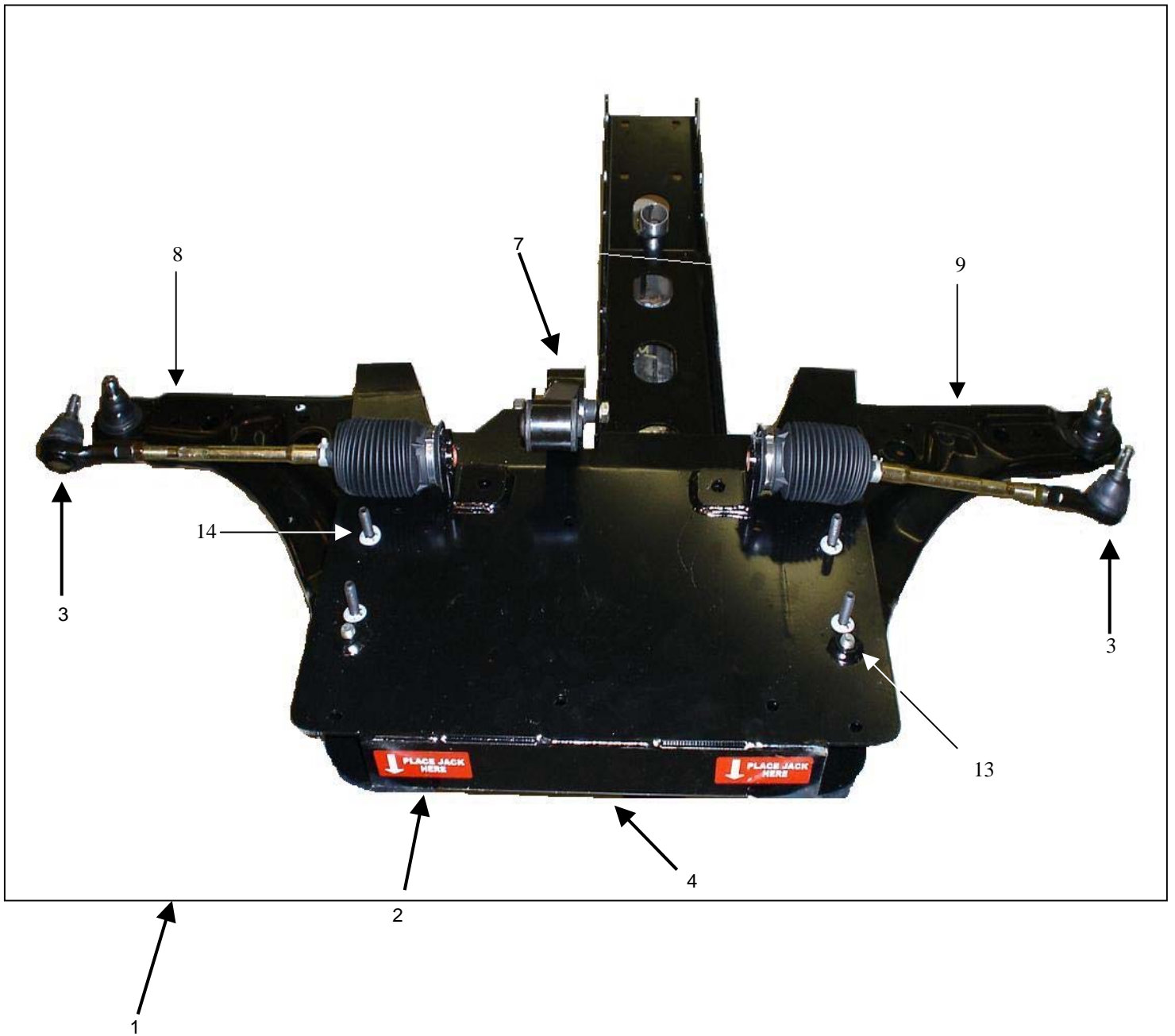


<i>REF.</i>	<i>PART NAME</i>	<i>PART NO.</i>	<i>QTY.</i>	<i>VIN #</i>
1	“V” Belt – Pump & Generator	25212-02500	1	
2	Oil Filter	26300-02501	1	
3	Timing Belt (Not Shown)	24312-2701	1	
4	Cover – Air Cleaner	1-28-105	1	
	Air Filter (not shown)	28113-07100	1	
5	Engine	ME21	1	
6	Actuator Assy. – Idle Speed	35150-02600	1	
7	Body – Air Cleaner	1-28-104	1	
8	Hose, Air Intake	28138-07000	1	
9	Hose Assy - PCV	26720-02200	1	
10	Support, Air Box	1-28-102-60	1	
11	Bracket, Air Box Mount (Not Shown)	1-28-103	1	

**GASKET KIT – 20910-02B00**  
**ENG. OVERHAUL**

Gasket, FR Case  
 Seal, Oil  
 Seal, Oil RR  
 Gasket, Oil Seal Case  
 Gasket, Oil Plug  
 Seal, Oil  
 Seal, Valve Stem  
 Gasket, Cylinder Head  
 Gasket, Water Pump  
 Gasket, Oil Screen  
 “O” Ring  
 Gasket, Air Cleaner  
 Gasket, Intake Manifold  
 Gasket, Exhaust Manifold



REF.	PART NAME	PART NO.	QTY.	VIN #
1	Subframe Assy.	1-54-017	1	
2	Jack Decal	1-05-107	2	
3	Assembly, Tie Rod ME21	1-54-011	2	
	Inner Ball Joint	56540-07000	2	
	Bellows-Steering Gear Box	57740-07000	2	
	Clip, Tube – Tie Rod	57587-07000	2	
	Nut, Jam – Tie Rod	56525-07000	2	
	End Assy – Tie Rod	56820-07000	2	
	Nut, Slotted, Tie Rod (not shown) (not included in assy)	13134-10007B	2	
	Band- Power Steering Gearbox	57722-07000	2	
4	Weldment, Subframe	1-54-110-01	1	
5	Nut-Strut-ME21 (Not Shown)	13396-12003	2	
6	Washer, Spring – RR A-Arm (Not shown)	13603-12003	2	
7	Bracket Assy – Roll Stopper RR – ME21	21930-07100	1	
8	A Arm LH	54500-07100	1	
9	A Arm RH	54501-07100	1	
10	Bolt – ME21	54561-2E100	2	
11	Washer - spring	13603-12003	2	
12	Nut	13396-12003	2	
13	M12x1.25x100 Class 8.8 Hex Hd Bolt	774319	2	
14	3/8 x 1 1/2 Hex Head Bolt	773788	4	