

A new and Improved

**WESTWARD**  
Industries

THE URBAN UTILITY VEHICLE

# ***INTERCEPTOR IV***

SPACE SAVING - ERGONOMICAL - EFFICIENT  
TAILORED DESIGN - RETURN ON INVESTMENT - DOMESTICALLY BUILT

# **PARTS MANUAL**



## Introduction

This parts catalog contains service parts information for the "Westward Industries Ltd. GO-4 Interceptor IV".

To make effective use of this catalog, please read and become thoroughly acquainted with "General Information". Only "WIL" brand genuine parts can be fitted to the GO-4 vehicle with confidence because of proven reliability. "Westward Industries Genuine Parts" are superior and reliable because they have been produced under a strict quality-control system, and met the standard through exact inspection. Whenever you need service parts, your GO-4 dealer will always provide a complete range of genuine parts to give you prompt service.

Note: All data and specifications contained in this catalog are based on the latest product information available at the time of issue and they can be changed without prior notice.

<b>4th Section</b>		
Position 10	Model Year	A = MY2010 B = MY2011 C = MY2012 D = MY2013
Position 11	Plant of Manufacture	S = St. Francois Xavier, Manitoba, Canada P = Portage La Prairie, Manitoba, Canada
Position 12	WMI	0 - Assigned by SAE
Position 13	WMI	4 - Assigned by SAE
Position 14	WMI	4 - Assigned by SAE
Position 15	Sequentially Assigned	
Position 16		
Position 17		

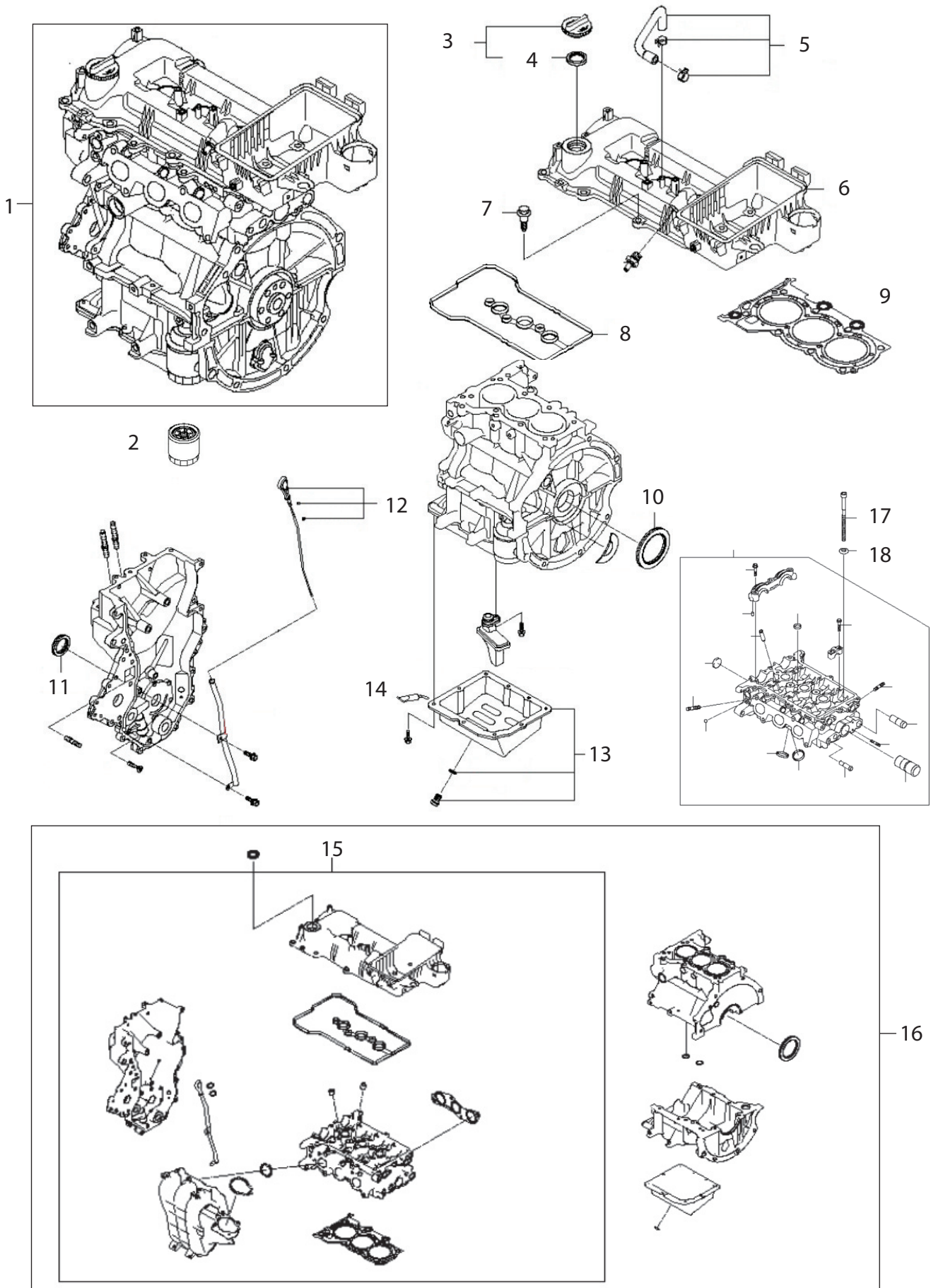
General Information

***“VIN Deciphering updated January, 2013. For older models please contact the manufacturer.”***

<b>VIN Deciphering - Westward Industries</b>		
<b>1st Section</b>		
Position 1	WMI	2 - Assigned by SAE
Position 2	WMI	W - Assigned by SAE
Position 3	WMI	9 - Assigned by SAE
<b>2nd Section</b>		
Position 4	Make	M = WESTWARD INDUSTRIES
Position 5	Line or Model	1 = Interceptor
Position 6	Type of Motorcycle	P = Sliding Door (SD) 3 Wheeled Cycle N = Hinge Door (HD) 3 Wheeled Cycle D = Dumper E = EV 3 Wheeled Cycle
Position 7	Engine Type	A = Hyundai MI-11 B = 50 Electric Motor c/w GX390 Engine C = Hyundai ME-21 CNG D = Hyundai MI-11 CNG E = PMS 150 Electric Motor Only H = Hyundai ME-21 K = Kia/Ford BT57 J = Kia 3 cyl 1 l L = AC3 Electric Motor
Position 8	Net Brake HP	1 = 61hp 2 = 27hp 3 = 63hp 4 = 69hp 5 = 35hp
<b>3rd Section</b>		
Position 9	Check Digit	Calculated See 49 CFR 565.15(c)

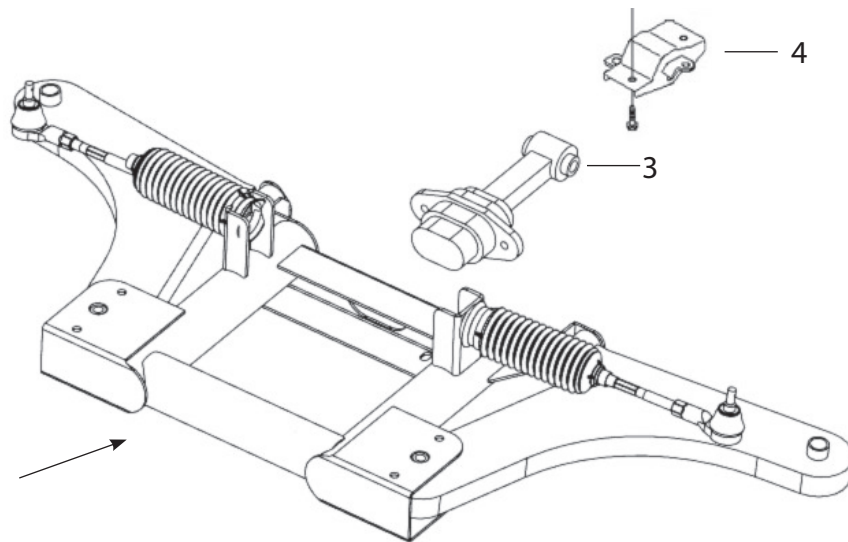
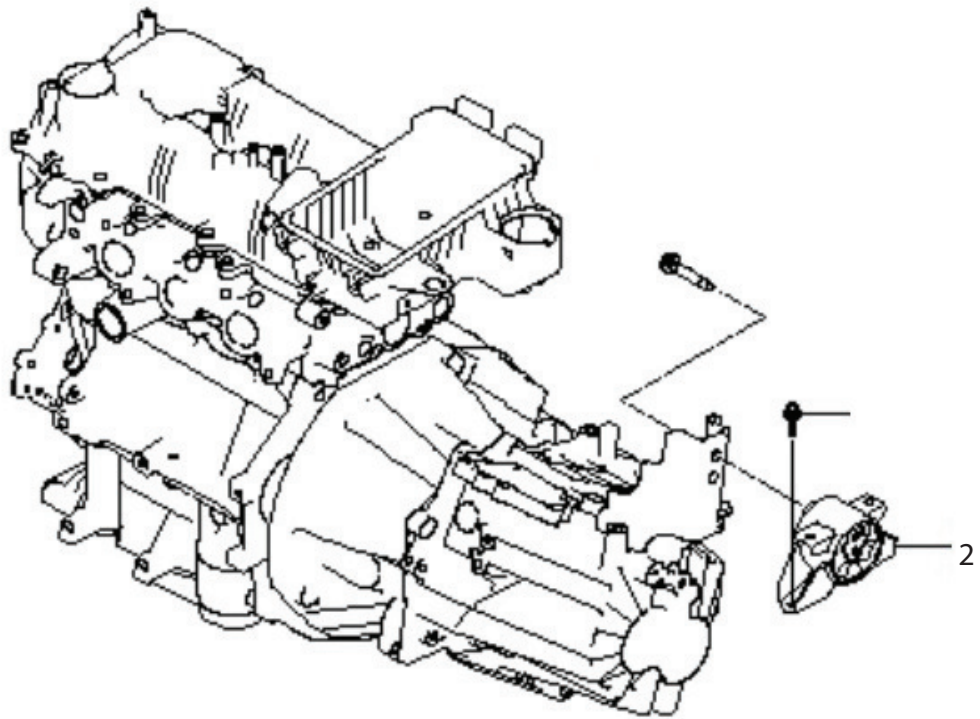
## TABLE OF CONTENTS

ENGINE	ENGINE_____	100-1
	COOLING_____	100-5
	ENGINE ELECTRICAL_____	100-7
	INTAKE & EXHAUST_____	200-1
	FUEL_____	200-5
TRANSAXLE	TRANSMISSION & DRIVE SHAFTS_____	300-1
CHASSIS	STEERING_____	400-1
	FRONT SUSPENSION_____	400-5
	SUBFRAME_____	500-1
	REAR AXLE & WHEEL_____	500-3
	REAR SUSPENSION_____	500-5
BRAKES	BRAKE BOOSTER AND RESERVOIR_____	600-1
	BRAKE CALIPER_____	600-3
	BRAKE LINE_____	600-5
BODY	HOOD & FRONT FENDER ASSY_____	800-1
	REAR FENDER ASSY_____	800-3
	ROOF ASSY_____	800-5
	UPPER & LOWER TRUNK ASSY_____	800-7
	DOORS & WINDOWS_____	800-11
	INTERIOR_____	800-15
	EXTERIOR_____	800-21
	SEAT_____	800-25
ELECTRICAL	CHASSIS ELECTRICAL_____	900-1
	HEATER AND A/C BLOWER_____	900-5



## ENGINE &amp; GASKET

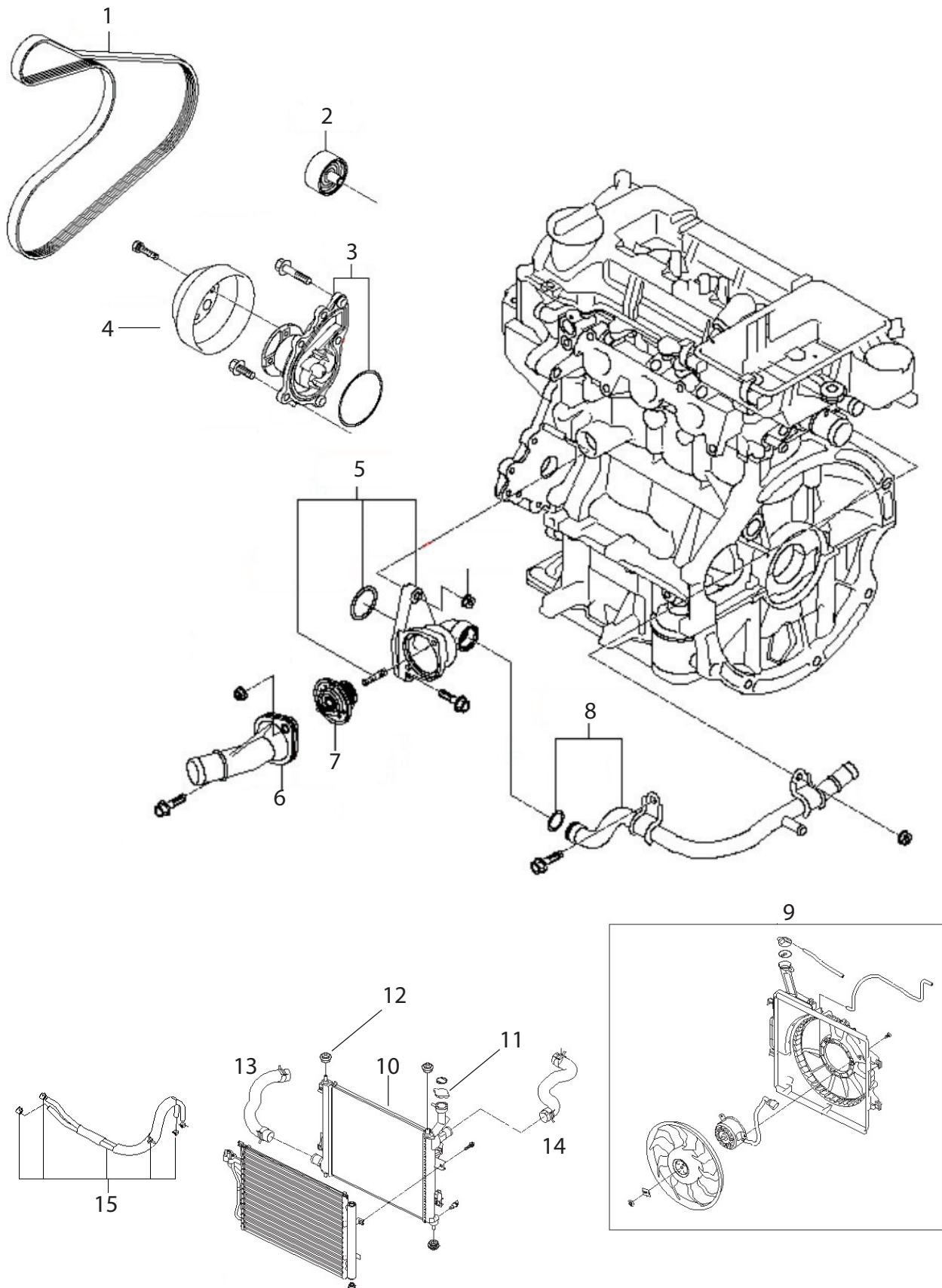
<i>REF.</i>	<i>PART NAME</i>	<i>PART NO.</i>	<i>QTY.</i>	<i>VIN #</i>
1	ENGINE	6-100-001	1	
2	OIL FILTER	6-120-001	1	
3	CAP - OIL FILLER	6-120-002	1	
4	PACKING - OIL FILLER CAP	6-120-003	1	
5	HOSE ASSY - BREATHER	6-120-004	1	
6	VALVE COVER	6-120-005	1	
7	VALVE COVER BOLTS	6-120-006	13	
8	VALVE COVER GASKET	6-120-007	1	
9	GASKET - CYLINDER HEAD	6-120-008	1	
10	SEAL - OIL RR	6-120-009	1	
11	SEAL - OIL FRONT	6-120-010	1	
12	ROD ASSY-OIL LEVEL GAUGE	6-120-011	1	
13	OIL PAN ASSY	6-120-012	1	
14	OIL PAN SEALANT	6-120-013	1	
15	GASKET SET UPPER	6-120-020	1	
16	GASKET SET COMPLETE	6-120-030	1	
17	BOLT - CYLINDER HEAD	6-101-001	8	
18	WASHER - CYLINDER HEAD BOLT	6-101-002	8	





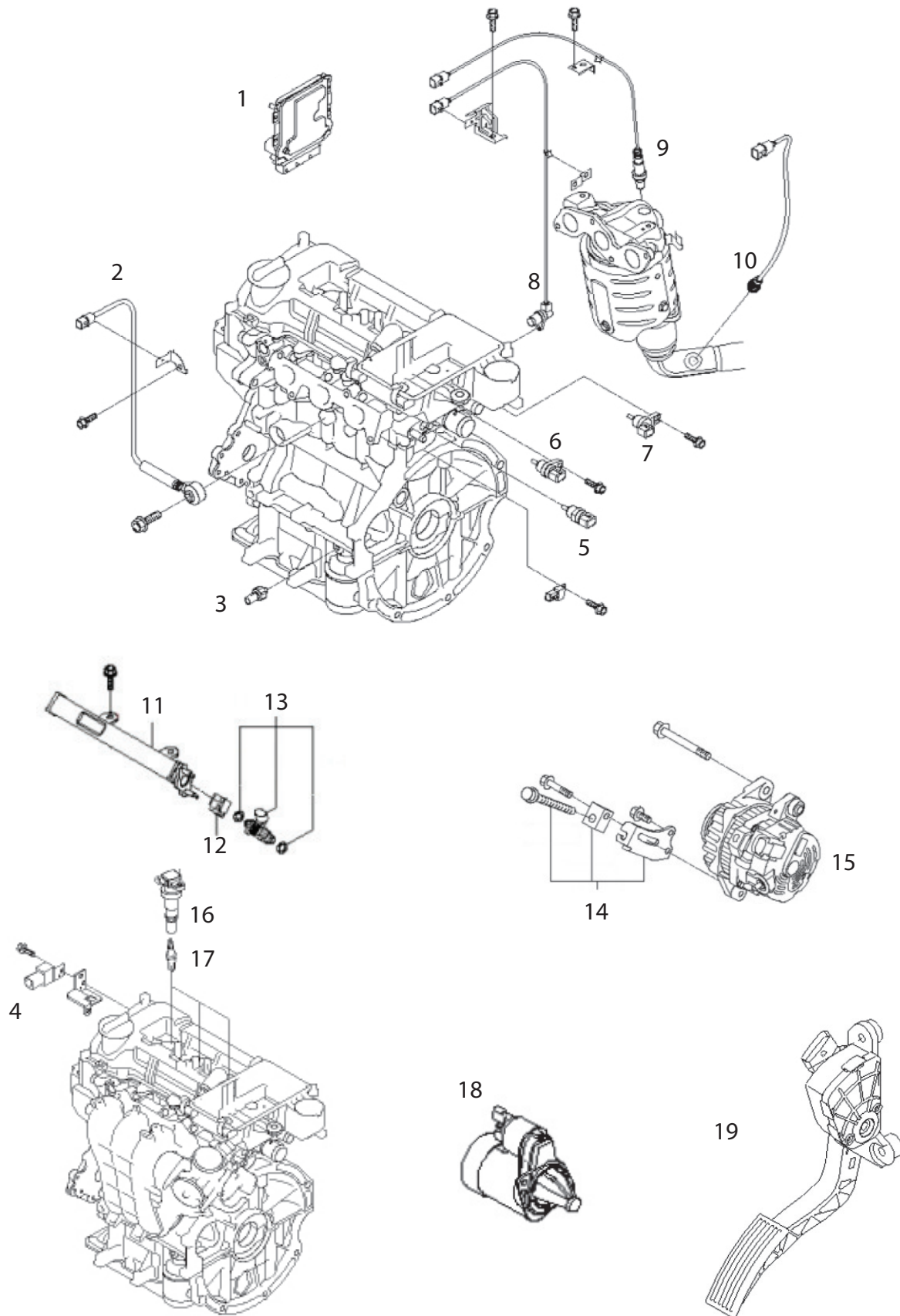
## ENGINE - MOUNT

<i>REF.</i>	<i>PART NAME</i>	<i>PART NO.</i>	<i>QTY.</i>	<i>VIN #</i>
1	BRACKET - ASSY - ENGINE MTG	6-121-001	1	
2	BRACKET - ASSY - TRANSAXLE MTG	6-121-002	1	
3	BRACKET - ASSY - ROLL ROD	6-121-003	1	
4	BRACKET - ROLL SUPPORT RR	6-121-004	1	



## ENGINE - COOLING SYSTEM

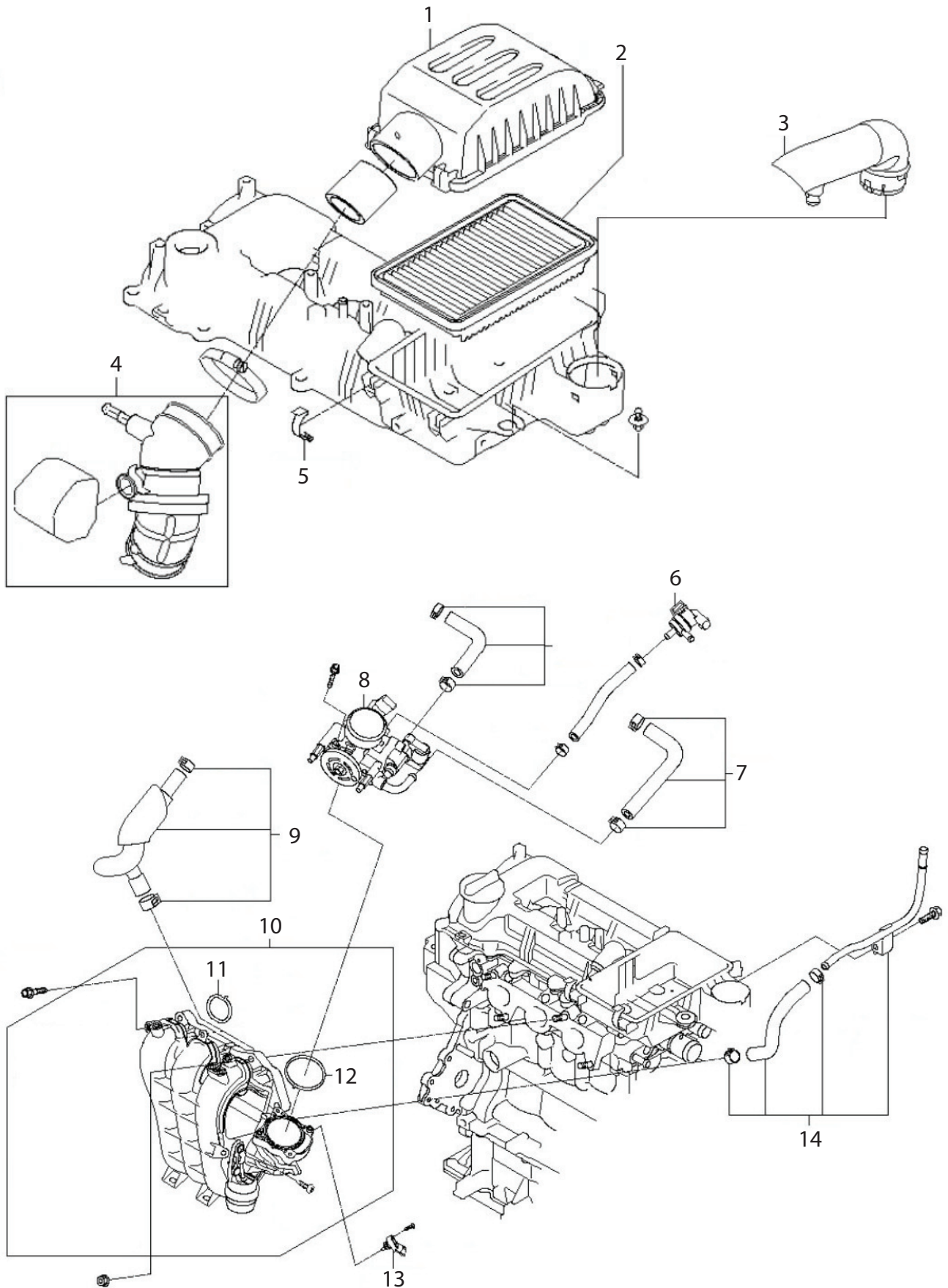
<i>REF.</i>	<i>PART NAME</i>	<i>PART NO.</i>	<i>QTY.</i>	<i>VIN #</i>
1	V - RIBBED BELT	6-125-001	1	
2	IDLER - DRIVE BELT	6-125-002	1	
3	PUMP ASSY - COOLANT	6-125-003	1	
4	PULLEY - COOLANT PUMP	6-125-004	1	
5	FITTING ASSY -COOLANT INLET	6-125-005	1	
6	FITTING - COOLANT INLET	6-125-006	1	
7	THERMOSTAT ASSY	6-125-007	1	
8	PIPE ASSY - HEATER	6-125-008	1	
9	BLOWER ASSY	6-125-011	1	
10	RADIATOR	6-125-012	1	
11	RADIATOR CAP	6-125-013	1	
12	RADIATOR MTG	6-125-014	4	
13	HOSE - RADIAOR LWR	6-125-015	1	
14	HOSE - RADIATOR INLET	6-125-016	1	
15	HOSE ASSY OIL COOLING	6-125-019	1	



## ENGINE ELECTRICAL

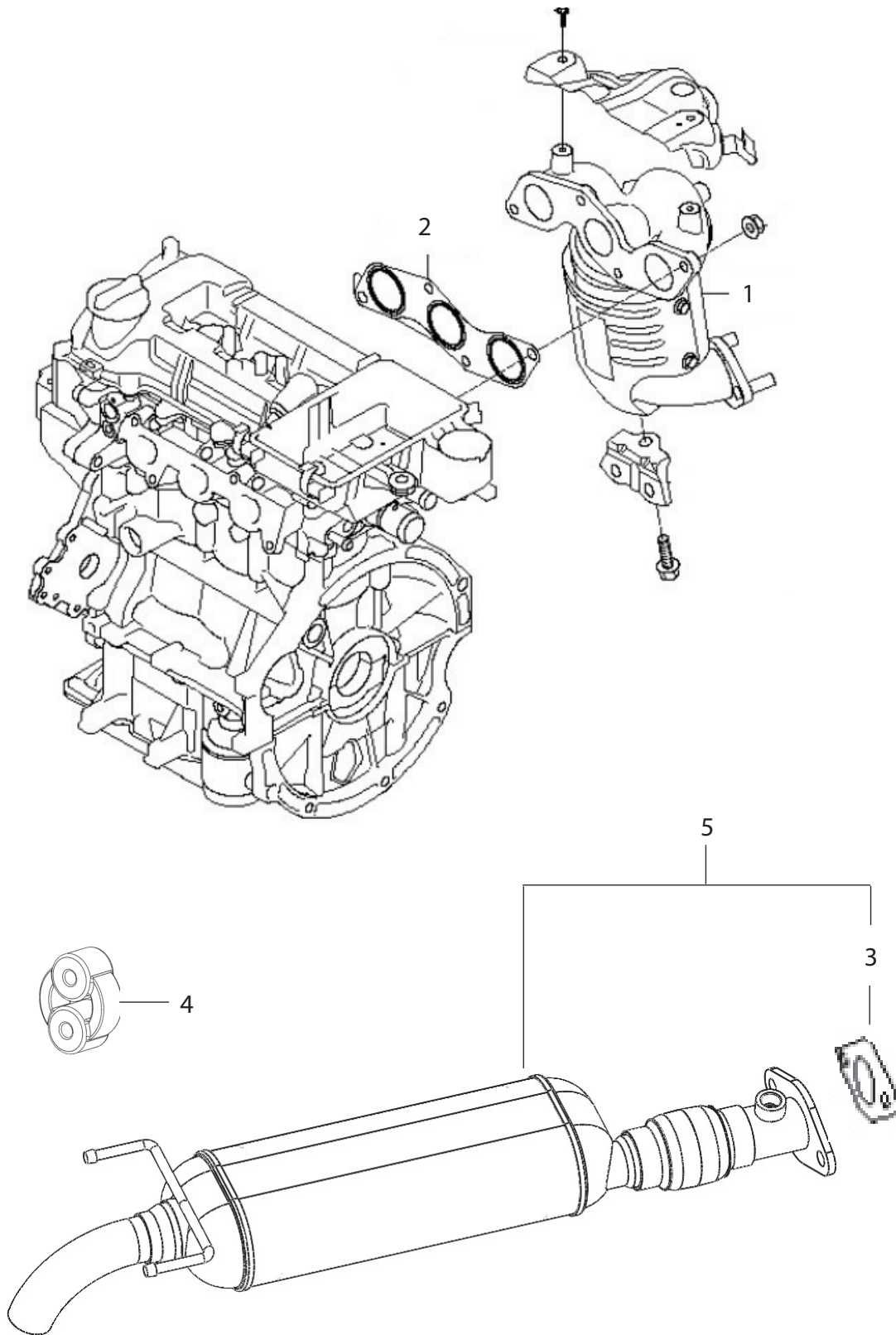
<i>REF.</i>	<i>PART NAME</i>	<i>PART NO.</i>	<i>QTY.</i>	<i>VIN #</i>
1	ELECTRONIC CONTROL UNIT	6-139-001	1	
2	SENSOR - KNOCK	6-139-002	1	
3	SWITCH ASSY - OIL PRESSURE	6-139-003	1	
4	CONDENSER ASSY - IGNITION COIL	6-139-004	1	
5	SENSOR ASSY - WATER TEMPERATURE	6-139-005	1	
6	SENSOR - CAMSHAFT POSITION	6-139-006	2	
7	EXTENSION WIRE - CMPS	6-139-007	1	
8	SENSOR - CRANKSHAFT POSITION	6-139-008	1	
9	SENSOR ASSY - OXYGEN, FRT	6-139-009	1	
10	SENSOR ASSY - OXYGEN, RR	6-139-010	1	
11	FUEL RAIL	6-139-011	1	
12	CLIP - FUEL INJECTOR	6-139-012	3	
13	INJECTOR ASSY - FUEL	6-139-013	3	
14	BRACE ASSY - ALTERNATOR	6-139-014	1	
15	ALTERNATOR	6-139-015	1	
16	COIL ASSY - IGNITION	6-139-016	3	
17	SPARK PLUG	6-139-017	3	
18	STARTER ASSY	6-139-018	1	D1~ D28
	STARTER ASSY	6-139-019	1	D29~ WITHOUT D30 & 35
19	PEDAL ASSY - ACCELERATOR	6-710-001	1	

INTAKE & EXHAUST - INTAKE SYSTEM



## INTAKE &amp; EXHAUST - INTAKE SYSTEM

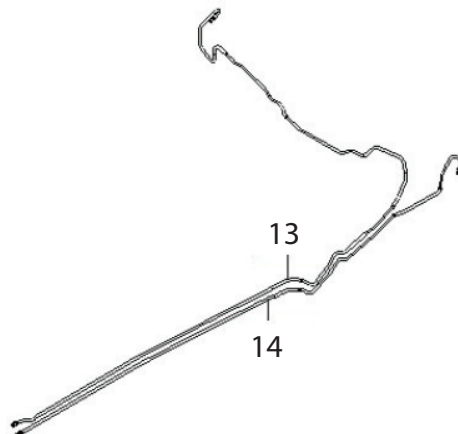
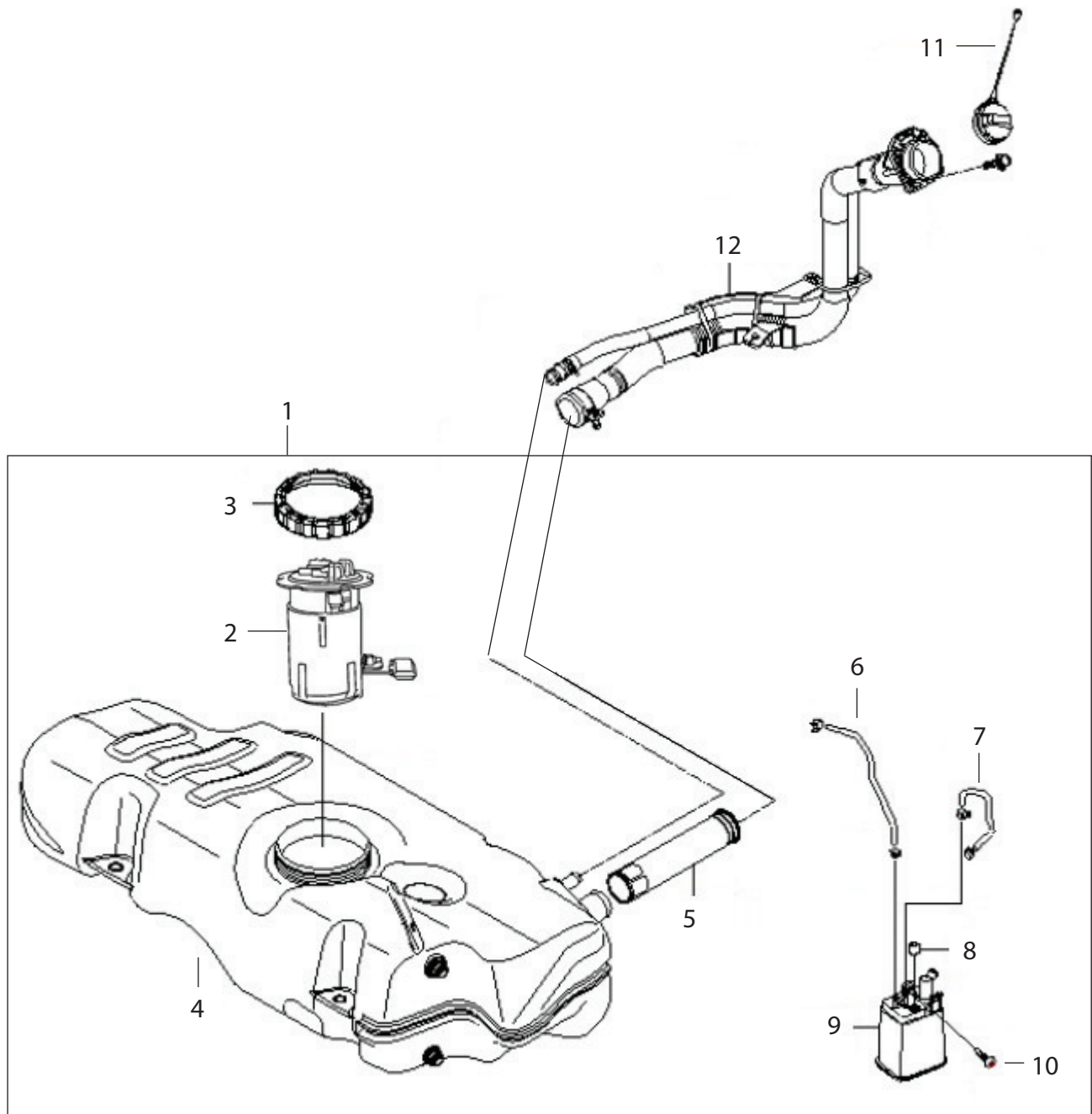
<i>REF.</i>	<i>PART NAME</i>	<i>PART NO.</i>	<i>QTY.</i>	<i>VIN #</i>
1	COVER - AIR CLEANER	6-228-001	1	
2	FILTER - AIR CLEANER	6-228-002	1	
3	DUCT -AIR	6-228-003	1	
4	HOSE ASSY - AIR INTAKE	6-228-004	1	
5	CLAMP - PLATE	6-228-006	1	
6	VALVE - PURGE CONTROL	6-228-011	1	
7	HOSE A ASSY - WATER	6-228-012	1	
8	BODY ASSY - THROTTLE	6-228-014	1	
9	HOSE ASSY - PCV	6-228-015	1	
10	MANIFOLD ASSY - INTAKE	6-228-016	1	
11	SEAL - PORT	6-228-017	1	
12	SEAL - THROTTLE BODY	6-228-018	1	
13	SENSOR ASSY - MAP	6-228-019	1	
14	PIPE + HOSE ASSY - VACUUM	6-228-020	1	





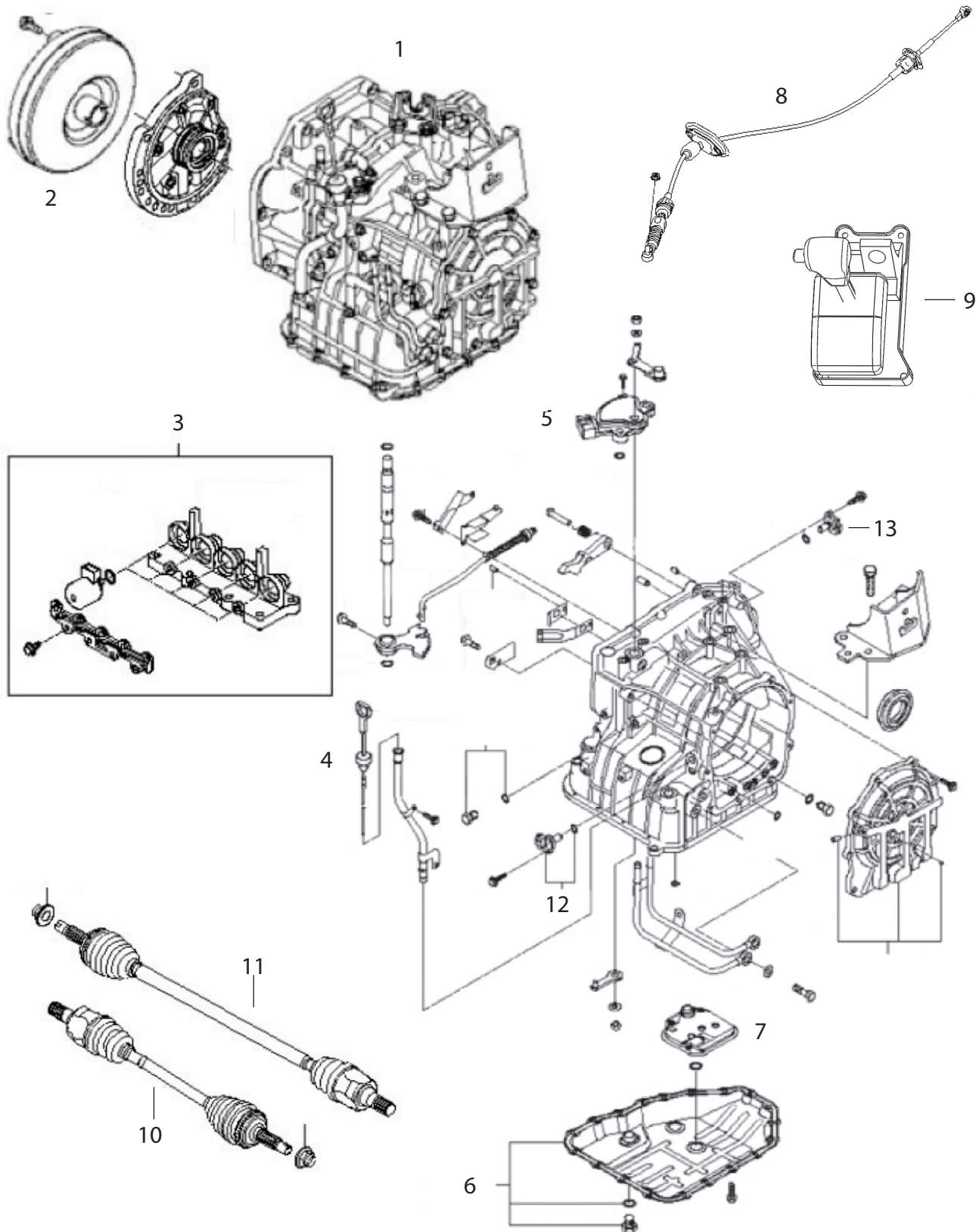
## INTAKE &amp; EXHAUST - EXHAUST SYSTEM

<i>REF.</i>	<i>PART NAME</i>	<i>PART NO.</i>	<i>QTY.</i>	<i>VIN #</i>
1	MANIFOLD CATALYTIC ASSY	6-229-001	1	
2	GASKET - EXHAUST MANIFOLD	6-229-002	1	
3	GASKET - EXHAUST PIPE	6-229-003	1	
4	MUFFLER HANGER	28768-22000	2	
5	MUFFLER ASSY	6-290-001	1	



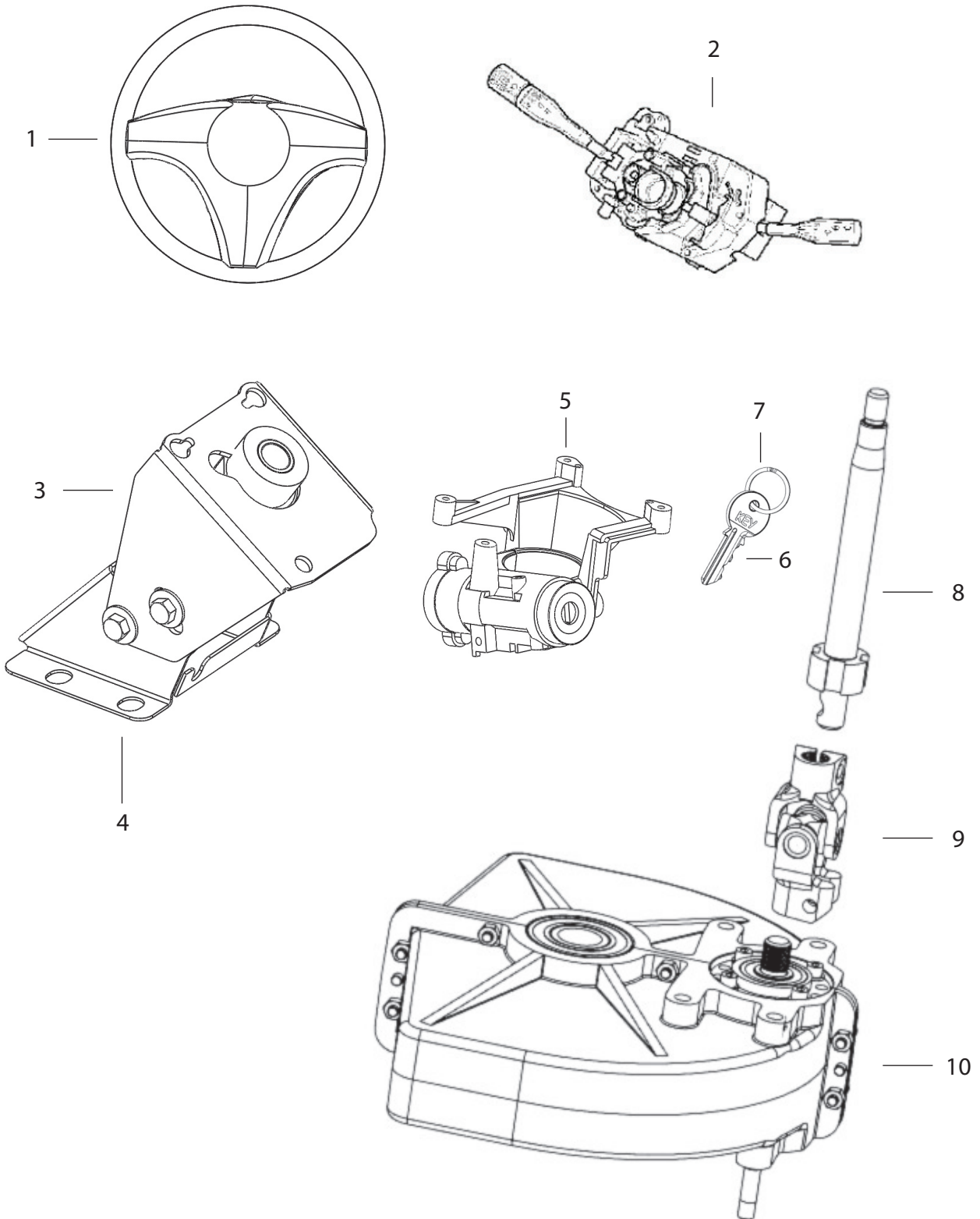
## FUEL - PUMP &amp; TANK

<i>REF.</i>	<i>PART NAME</i>	<i>PART NO.</i>	<i>QTY.</i>	<i>VIN #</i>
1	ASSEMBLY FUEL TANK	1-31-008	1	
2	COMPLETE - FUEL PUMP	31110-07150	1	
3	COVER - FUEL PUMP PLATE	31152-2F000	1	
4	TANK ASSY - FUEL	31150-07000	1	
5	VALVE - FUEL CUT	31160-07000	1	
6	HOSE	31343-07000	1	
7	TUBE - FUEL VAPOR FR	31345-07000	1	
8	CAP - CANISTER AIR NIPPLE	31426-38000	1	
9	CANISTER ASSY	31420-07000	1	
10	M6.3 x 25mm SELF TAPPING SCREW	774489	2	
11	CAP ASSY - FUEL FILLER	31010-3F600	1	
12	NECK ASSY - FUEL FILLER	31040-07100	1	
13	TUBE - FUEL FEED	31310-07000	1	
14	TUBE - FUEL VAPOR	31340-07000	1	



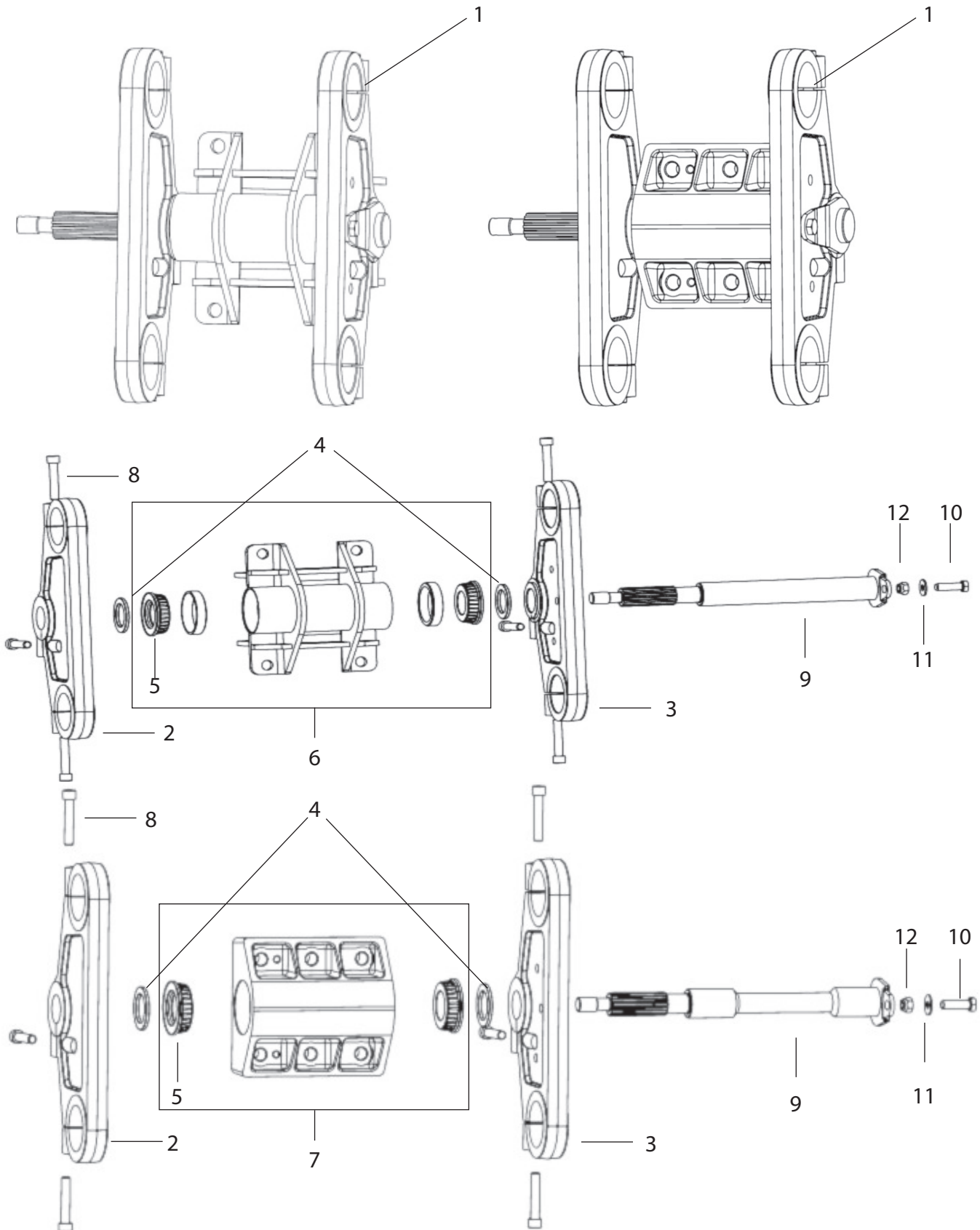
## TRANSMISSION &amp; DRIVE SHAFTS

<i>REF.</i>	<i>PART NAME</i>	<i>PART NO.</i>	<i>QTY.</i>	<i>VIN #</i>
1	TRANSMISSION	6-300-001	1	
2	CONVERTER ASSY - TORQUE	6-330-001	1	
3	VALVE ASSY - SOLENOID	6-320-001	1	
4	GAUGE ASSY - OIL LEVEL	6-320-002	1	
5	SWITCH - INHIBITOR	6-320-003	1	
6	PAN ASSY - ATA OIL	6-320-004	1	
7	FILTER ASSY - VALVE BODY OIL	6-320-005	1	
8	CABLE ASSY - ATM LEVER	6-340-001	1	
9	SHIFTER ASSEMBLY	6-340-002	1	
10	SHAFT, LH DRIVE	6-350-001	1	
11	SHAFT, RH DRIVE	6-350-002	1	
12	SPEED SENSOR INPUT	6-320-006	1	
13	SPEED SENSOR OUTPUT	6-320-007	1	



## STEERING - GEARBOX ASSY.

<i>REF.</i>	<i>PART NAME</i>	<i>PART NO.</i>	<i>QTY.</i>	<i>VIN #</i>
1	STEERING WHEEL	56100-02100IJ	1	
2	COMBINATION SWITCH	93400-02102	1	
3	WELDMENT, UPPER STEERING	6-56-200	1	
4	WELDMENT, LOWER STEERING	6-56-110	1	
5	IGNITION SWITCH	1-56-233	1	
6	KEY	1-96-100	1	
7	KEY RING	1-96-101	1	
8	UPPER STEERING SHAFT	1-56-211	1	
9	UNIVERSAL JOINT	KK150-32850	1	
10	GEARBOX ASSEMBLY	1-56-002	1	





## STEERING - FORK SUPPORT ASSY.

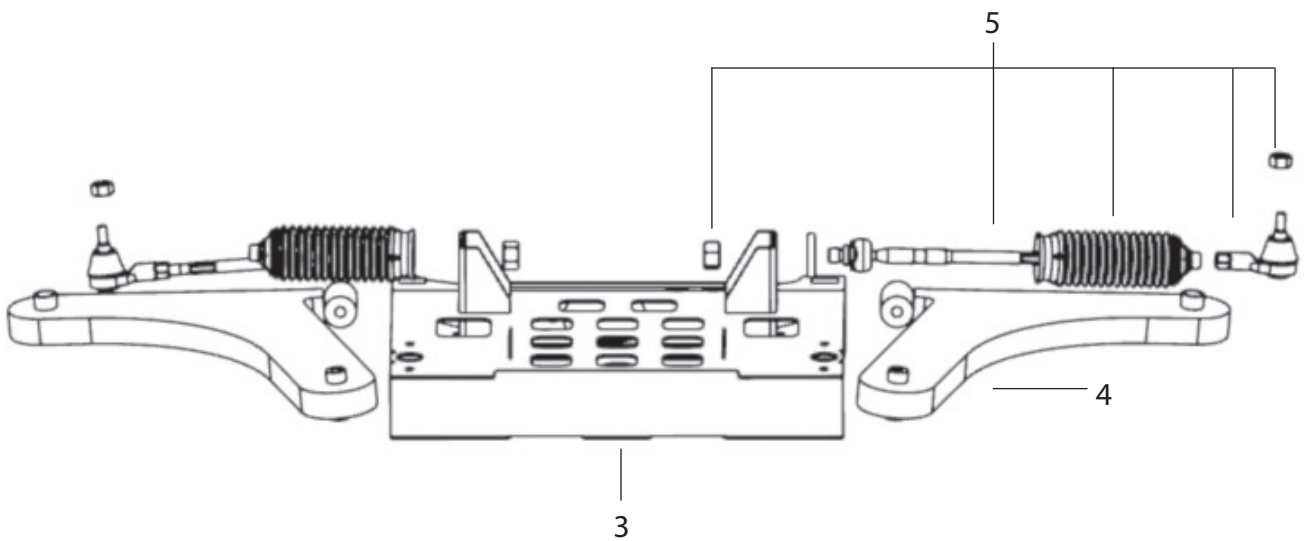
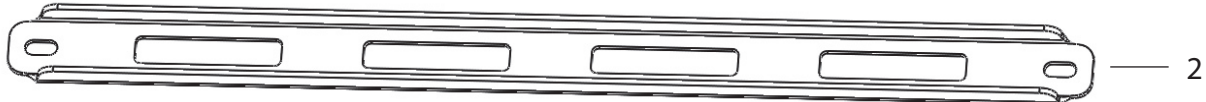
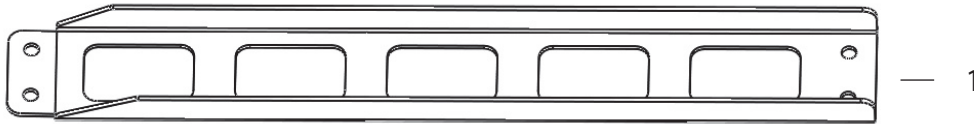
<i>REF.</i>	<i>PART NAME</i>	<i>PART NO.</i>	<i>QTY.</i>	<i>VIN #</i>
1	FORK SUPPORT ASSY.	1-53-029	1	D01~D95
1	FORK SUPPORT ASSY.	6-53-029	1	D96~
2	FORK SUPPORT, UPPER	1-53-112	1	
3	FORK SUPPORT, LOWER	1-53-114	1	
4	WASHER, MACHINERY BUSHING	1-56-113	2	
5	BEARING, TAPERED SEAL CONE	1-56-112	2	
6	TRUNION ASSEMBLY	1-53-040	1	D01~D95
7	TRUNION ASSEMBLY	6-53-110	1	D96~
8	HEX HEAD BOLT, 3/8NC x 2 inch	771140	6	
9	STEERING SHAFT	1-56-100	1	
10	HEX HEAD BOLT, 3/8 NC x 1 ¼ inch	772363	1	
11	FLAT WASHER, 5/16FW plated	770324	1	
12	STOVER LOCK NUT, 3/8 NC	770223	1	

\* MUST ORDER TRUNION WITH BEARING



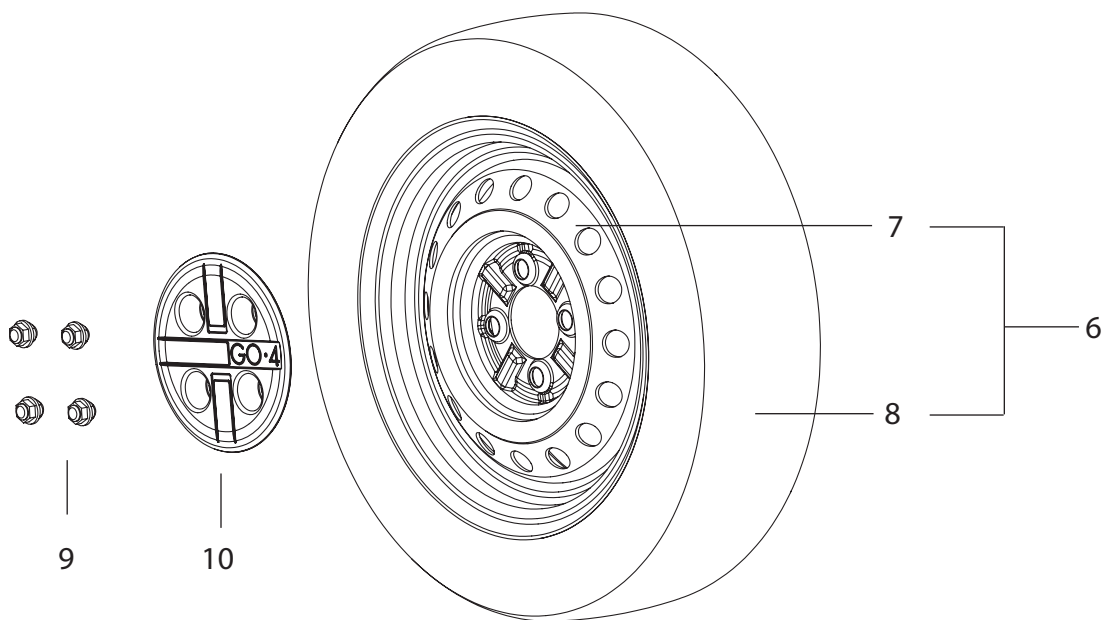
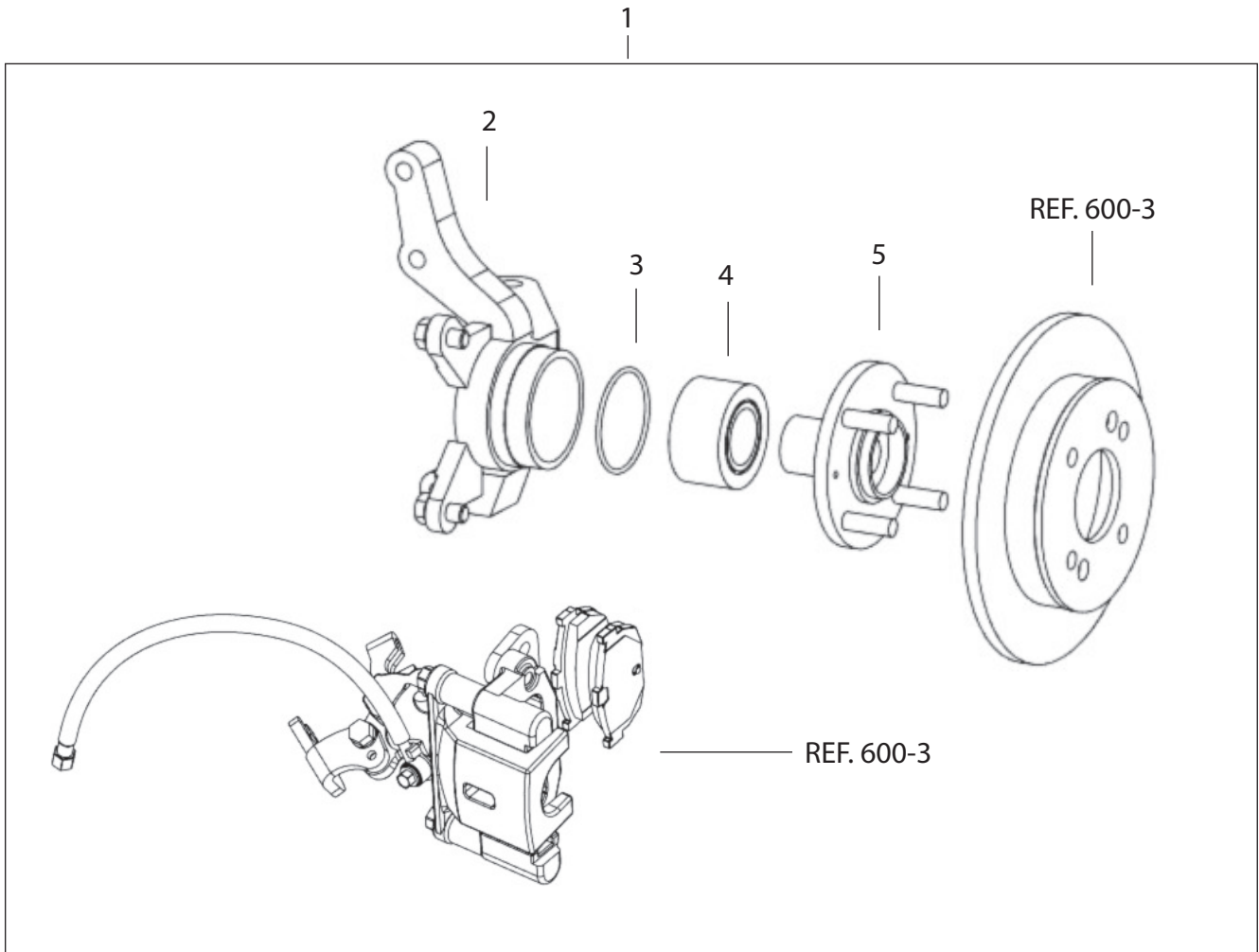
## FRONT SUSPENSION

<i>REF.</i>	<i>PART NAME</i>	<i>PART NO.</i>	<i>QTY.</i>	<i>VIN #</i>
1	KIT, FRONT SUSPENSION	6-498-001		
2	SHOCK FRONT SUSPENSION	6-53-400	2	
3	WELDMENT, FORK LEG	6-53-020	2	D1~D105
	WELDMENT, FORK LEG	6-53-026	2	D106~
4	BRACKET, FENDER MOUNTING	6-53-007	1	
5	FENDER	6-53-005	1	
6	BOLT (3/8-24X2)	774354	4	
7	NUT (3/8-24 UNF)	774408	4	
8	WELDMENT, LEADING ARM LH	6-53-030	1	
9	WELDMENT, LEADING ARM RH	6-53-040	1	
10	HUB ASSEMBLY	6-53-012	1	
11	AXLE	6-53-002	1	
12	SPACER, WHEEL	6-53-003	2	
13	BOLT (M12 X 1.5 X 90)	774467	4	
14	WHEEL NUT	6-600-004	4	
15	KIT, BUSHING	6-53-035	2	
16	BOLT (1/2-12X2.5)	774470	2	
17	NUT (1/2-13)	770823	2	
18	BOLT (M10 X 1.5 X 25)	774468	6	
19	SPACER, CALIPER MOUNT	6-53-006	2	Solid Rotor
	SPACER, CALIPER MOUNT	6-670-002	2	Vented Rotor
20	BOLT (M12 X 1.25 X 70)	774307	2	Solid Rotor
	BOLT (M12 X 1.25 X 60)	774256	2	Vented Rotor
21	BRACKET, BRAKE HOSE	6-53-011	1	
22	RUBBER INSULATED CLIP	774112	1	
23	BOLT (1/4 - NC X 1/2)	771035	1	
24	NUT (1/4 - NC)	771036	1	
25	GREASE - BUSHING 0.5 OZ CUP	6-53-033-LUBE1/2	1	
	GREASE - BUSHING 8 OZ TUBE	6-53-033-LUBE8	1	



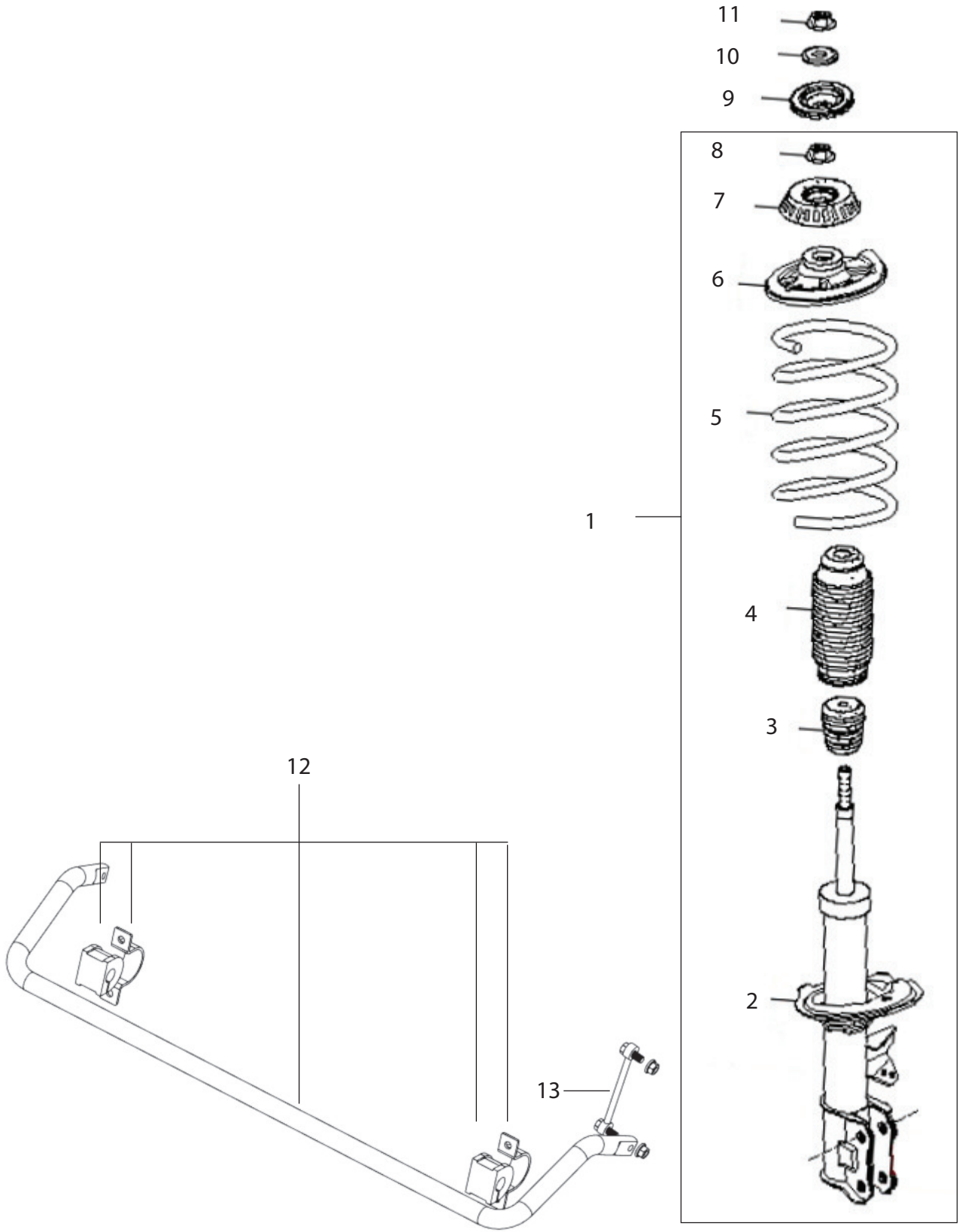
## SUBFRAME &amp; ARM

<i>REF.</i>	<i>PART NAME</i>	<i>PART NO.</i>	<i>QTY.</i>	<i>VIN #</i>
1	BRACE, SUBFRAME	6-54-120-01	1	
2	BRACE, SUBFRAME SUPPORT	6-54-131-01	2	
3	WELDMENT, SUBFRAME	6-54-200	1	
4	ARM LH	54500-07100	1	
	ARM RH	54501-07100	1	
5	TIE ROD ASSEMBLY	6-807-001	2	



## REAR AXLE &amp; WHEEL

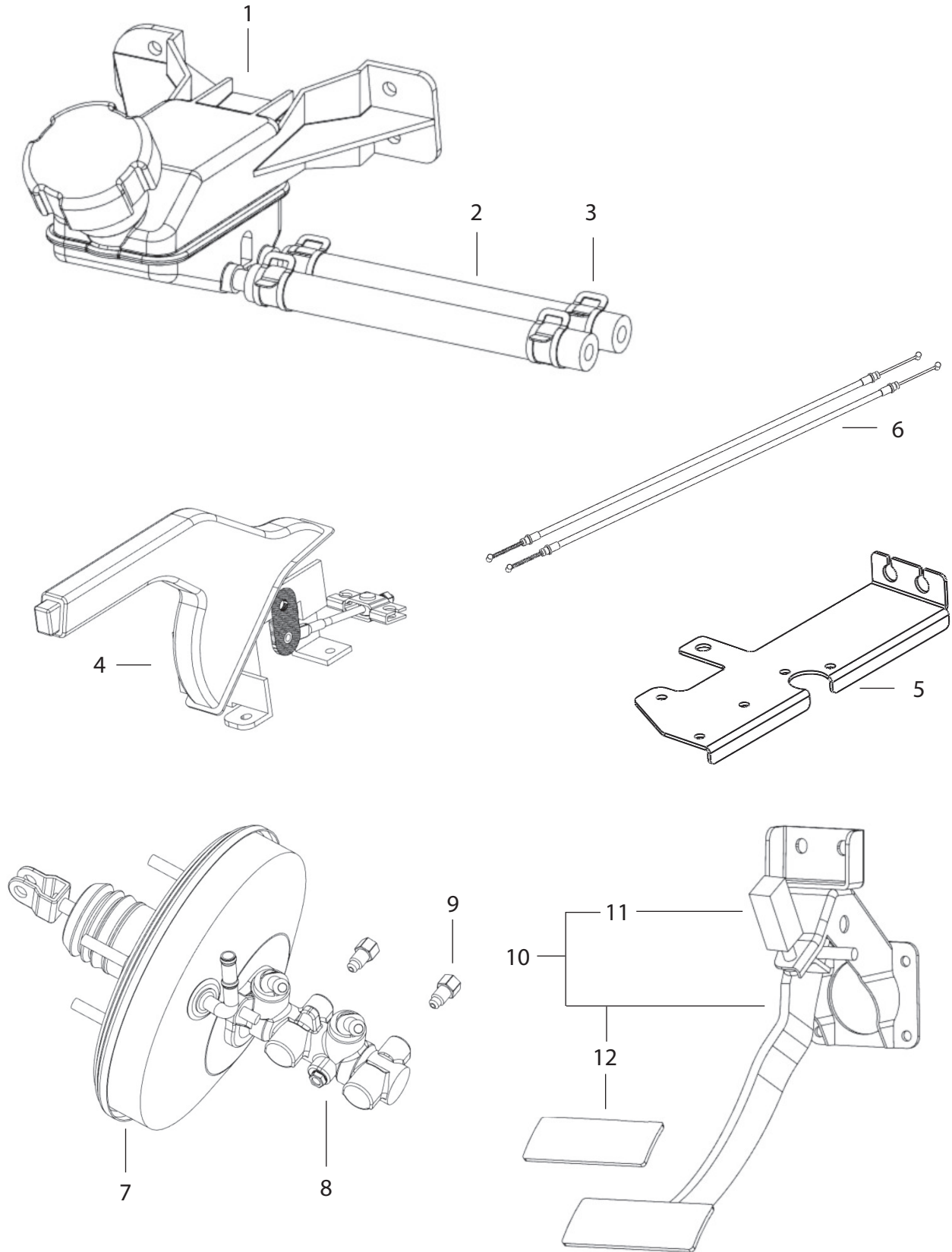
<i>REF.</i>	<i>PART NAME</i>	<i>PART NO.</i>	<i>QTY.</i>	<i>VIN #</i>
1	HUB ASSEMBLY, LH	1-54-013	1	D1~D131
	HUB ASSEMBLY, RH	1-54-014	1	D1~D131
	HUB ASSEMBLY, LH	6-545-100	1	D132~
	HUB ASSEMBLY, RH	6-545-101	1	D132~
2	KNUCKLE LH	51715-07000	1	D1~D131
	KNUCKLE LH	6-547-001	1	D132~
	KNUCKLE, RH	51716-07000	1	D1~D131
	KNUCKLE, RH	6-547-002	1	D132~
3	SNAP RING	51718-07000	2	
4	BEARING DRIVE AXLE	6-546-001	2	
5	HUB - DRIVE	6-545-001	2	
6	ASSEMBLY TIRE AND RIM (13 INCH)	1-50-003	3	
	ASSEMBLY TIRE AND RIM (14 INCH)	6-600-001	3	
7	WHEEL RIM (13 INCH)	E-132	3	
	WHEEL RIM (14 INCH)	6-600-002	3	
8	TIRE (13 INCH)	370059	3	
	TIRE (14 INCH)	6-610-001	3	
9	WHEEL NUT (13 INCH)	774339	8	
	WHEEL NUT (14 INCH)	6-600-004	8	
10	WHEEL COVER (13 INCH)	850028	2	
	WHEEL COVER (14 INCH)	6-600-003	2	





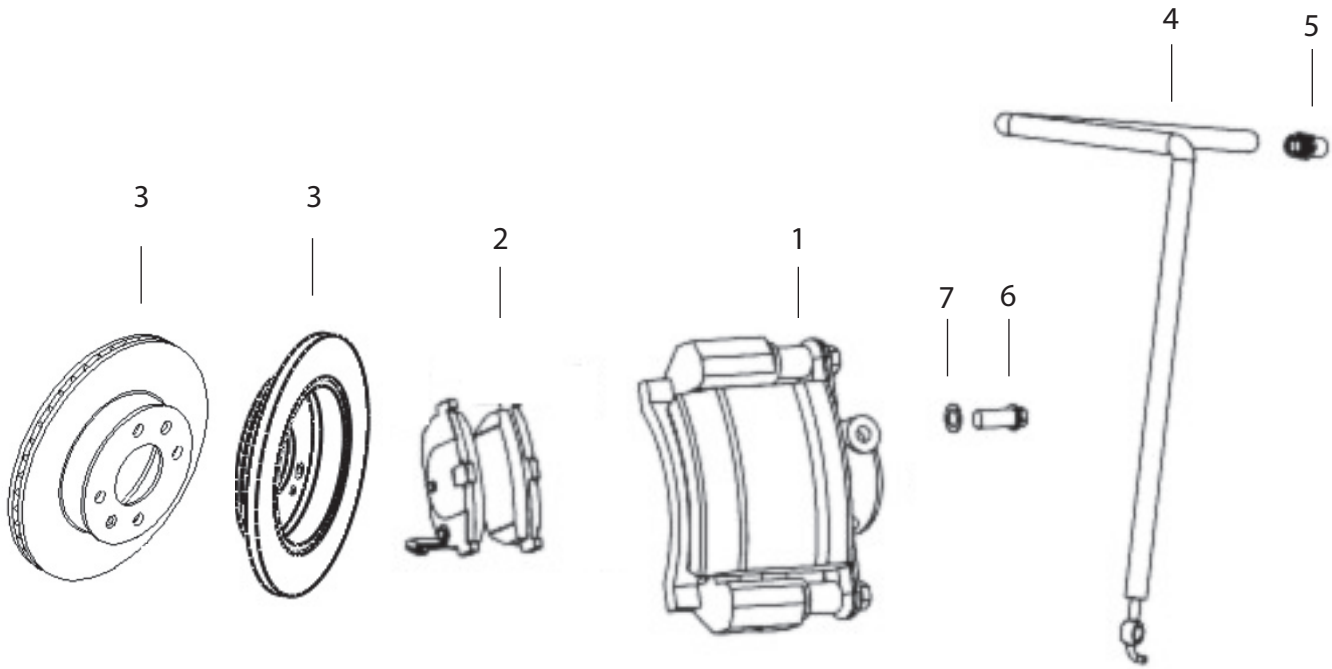
## REAR SUSPENSION - REAR STRUT &amp; TORSION BAR

<i>REF.</i>	<i>PART NAME</i>	<i>PART NO.</i>	<i>QTY.</i>	<i>VIN #</i>
1	REAR STRUT ASSY. LH	1-54-015	1	D1~D130
	REAR STRUT ASSY. RH	1-54-016	1	D1~D130
	REAR STRUT ASSY. LH	6-565-001	1	D131~
	REAR STRUT ASSY. RH	6-565-002	1	D131~
2	SHOCK ABSORBER, LH	54650-07100	1	
	SHOCK ABSORBER, RH	54660-07100	1	
3	BUMPER RUBBER	54626-07100	2	
4	COVER, SUSPENSION STRUT DUST	54625-07000	2	
5	SPRING	54630-07210	2	D1~D130
	SPRING	6-560-001	2	D131~
6	PAD, SPRING UPR	54620-07000	2	
7	INSULATOR ASSY	54611-07000	2	
8	NUT - JAM	56525-07000	2	
9	COVER, INSULATOR DUST	54627-07000	2	
10	WASHER	13603-12003	2	
11	NUT - STRUT	13396-12003	2	
12	KIT, TORSION BAR	6-54-150	1	
13	LINK	6-540-001	2	

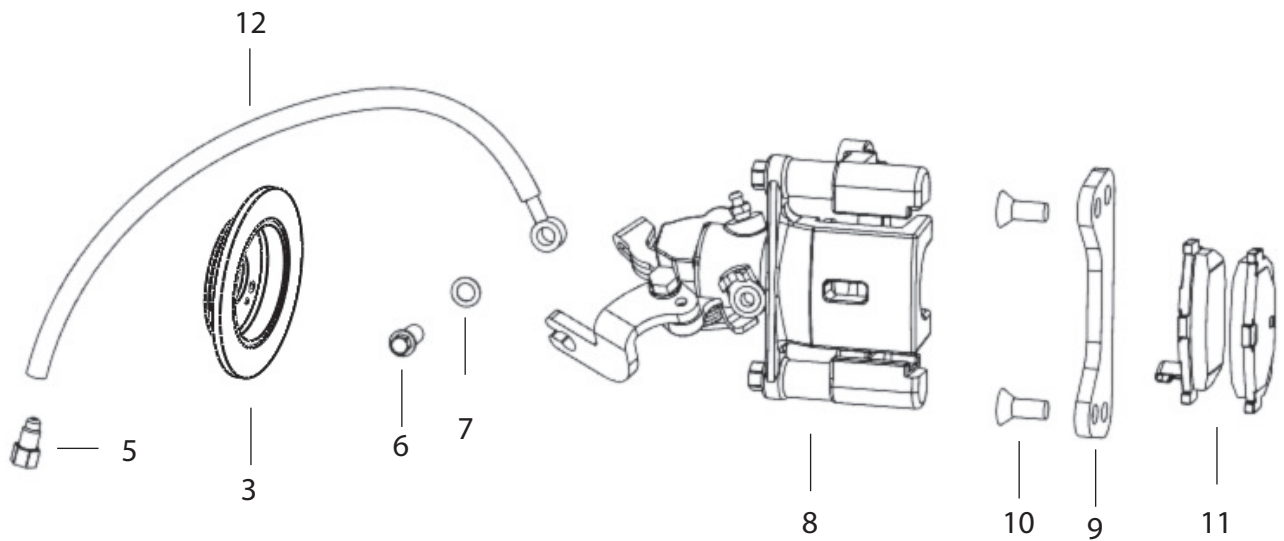


## BRAKE - BOOSTER AND RESERVOIR

<i>REF.</i>	<i>PART NAME</i>	<i>PART NO.</i>	<i>QTY.</i>	<i>VIN #</i>
1	RESERVOIR - MASTER CYLINDER	58529-07010	1	
2	BRAKE FLUID LINE	1-58-237	2	
3	HOSE CLAMP	31379-21000	4	
4	EMERGENCY BRAKE HANDLE	6-58-100	1	
5	MOUNT, EMERGENCY BRAKE CALBE	6-58-102	1	
6	BRAKE CABLES LH	1-58-234	1	
	BRAKE CABLES RH	1-58-235	1	
7	BOOSTER ASSEMBLY - NO CYLINDER	59110-07000	1	
8	CYLINDER ASSEMBLY - NO ADAPTER	58510-07300	1	
9	ADAPTER	1-58-224	1	
10	BRAKE PEDAL ASSEMBLY	6-720-002	1	
11	SENSOR, BRAKE PEDAL	6-720-003	1	
12	PAD, BRAKE PEDAL	6-720-004	1	
13	VACUUM HOSE (NOT SHOWN)	1-58-233	1	



Front Wheel



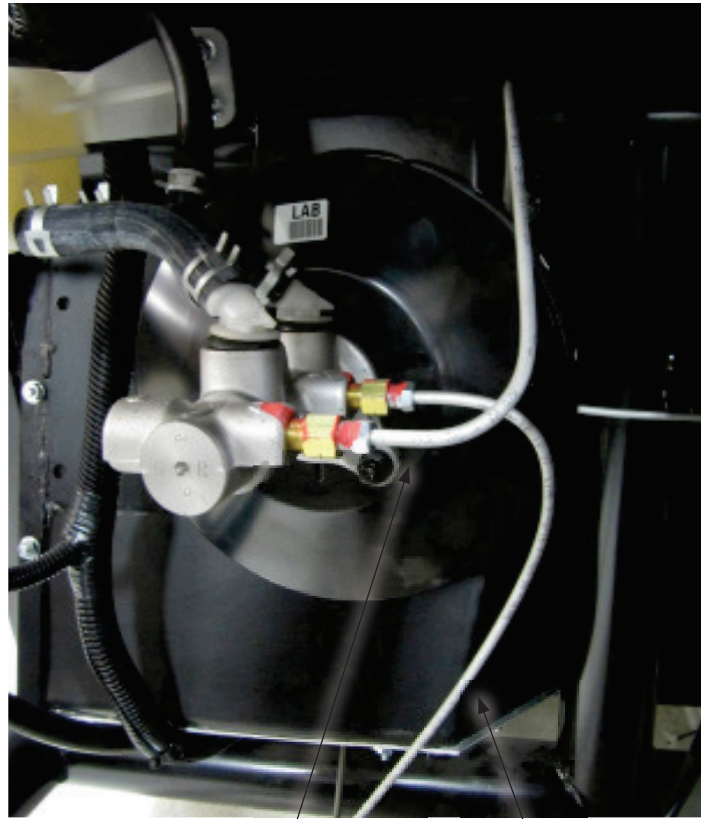
Rear Wheel

## BRAKE - CALIPER

<i>REF.</i>	<i>PART NAME</i>	<i>PART NO.</i>	<i>QTY.</i>	<i>VIN #</i>
1	FRONT CALIPER	58181-02A00	1	Solid rotor
	FRONT CALIPER	6-640-001	1	Vented rotor
2	PAD KIT, FRONT CALIPER	6-620-103	1	
3	BRAKE, DISC (Solid rotor)	58411-07300	2	
	BRAKE, DISC (Vented rotor)	6-620-001	1	
4	FLEXIBLE BRACKE HOSE - FRONT	430940	1	
5	ADAPTER	1-58-224	3	
6	CONNECTOR BOLT	58726-2F000	3	
7	COPPER GASKET	17512-10000	6	
8	REAR BRAKE CALIPER LH	6-640-002	1	
	REAR BRAKE CALIPER RH	6-640-003	1	
9	MOUNT, REAR BRAKE CALIPER	1-58-236-82	2	D1~D131
	MOUNT, REAR BRAKE CALIPER	6-570-001	2	D132~
10	BOLT (M10 X 1.25 X 25)	774314	4	D1~D131
	BOLT (M10 X 1.25 X 25)	774496	4	D132~
11	PAD KIT, RR (RH / LH)	6-620-100	1	
12	FLEXIBLE BRACKE HOSE - REAR	1-58-211	2	

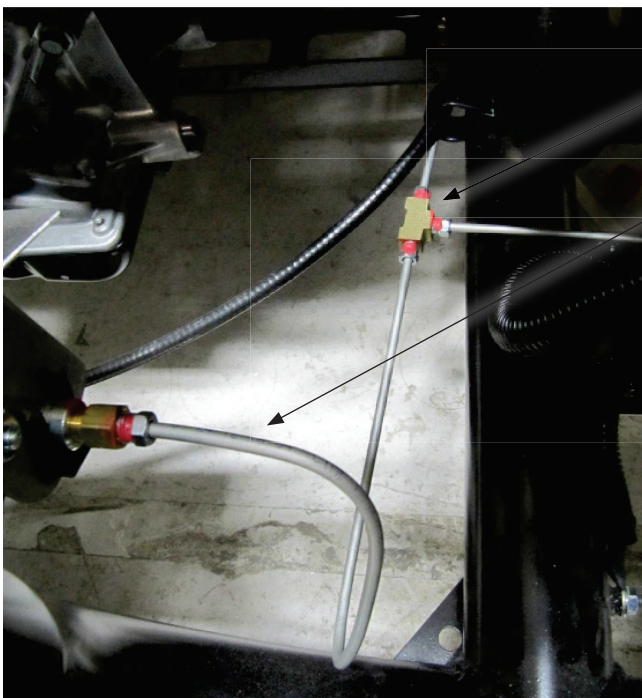


4



2

3



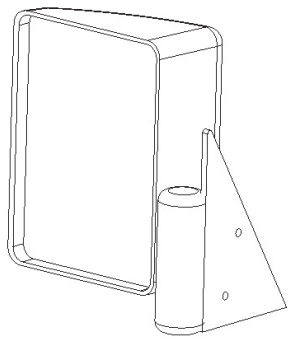
5

1

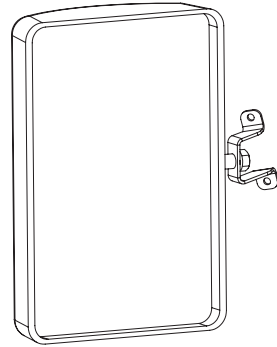
## BRAKE - LINES

<i>REF.</i>	<i>PART NAME</i>	<i>PART NO.</i>	<i>QTY.</i>	<i>VIN #</i>
1	16.5" RH REAR BRAKE LINE	1-58-026	1	
2	25.5" FRONT BRAKE LINE	1-58-021	1	
3	68" MAIN BRAKE LINE	1-58-024	1	
4	43.5" LH REAR BRAKE LINE	1-58-025	1	
5	BRASS BRAKE LINE "T"	1-58-226	1	

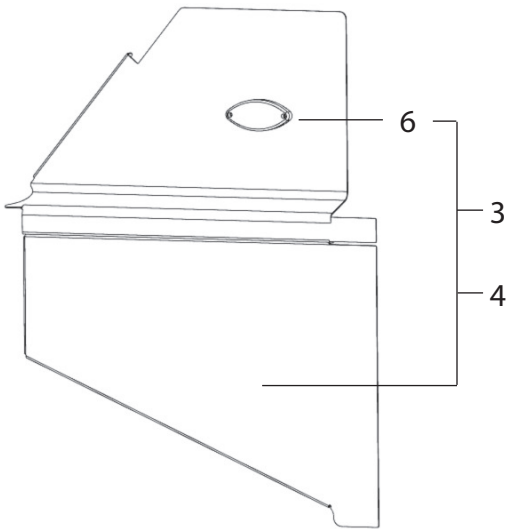
BODY - FRONT FENDER ASSY. & HOOD



1



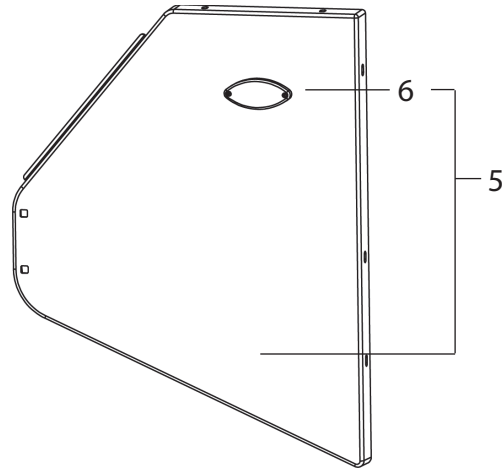
2



6

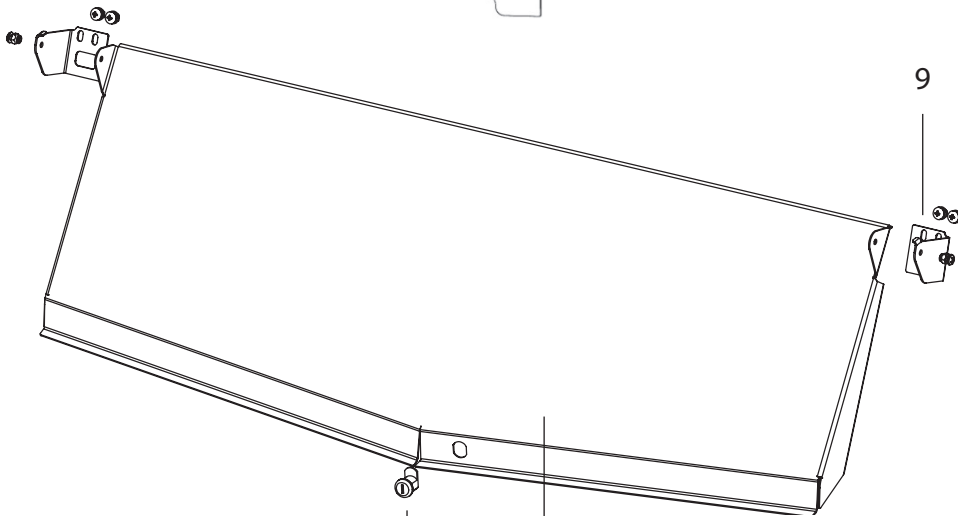
3

4



6

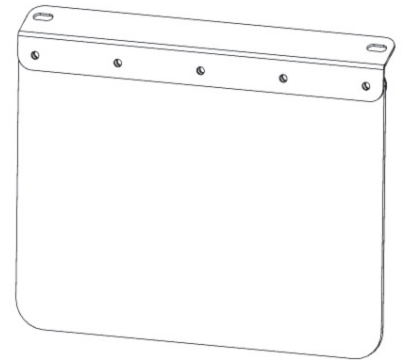
5



8

7

9



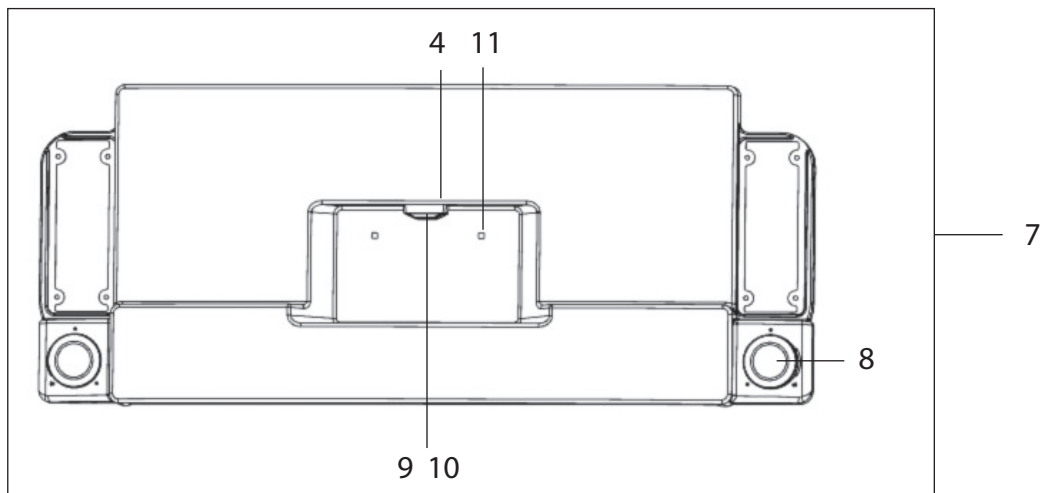
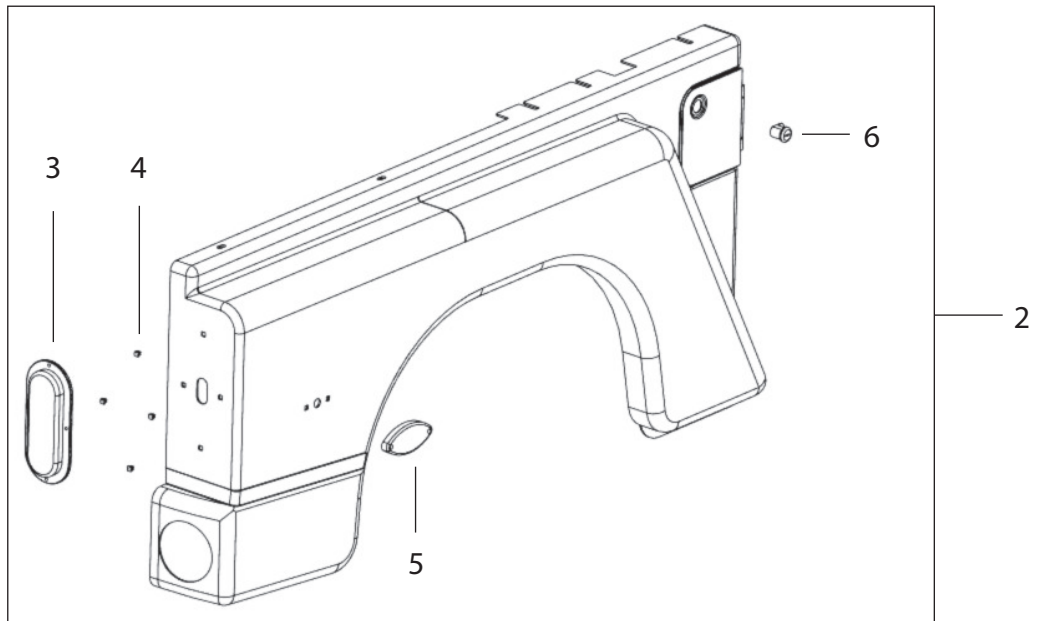
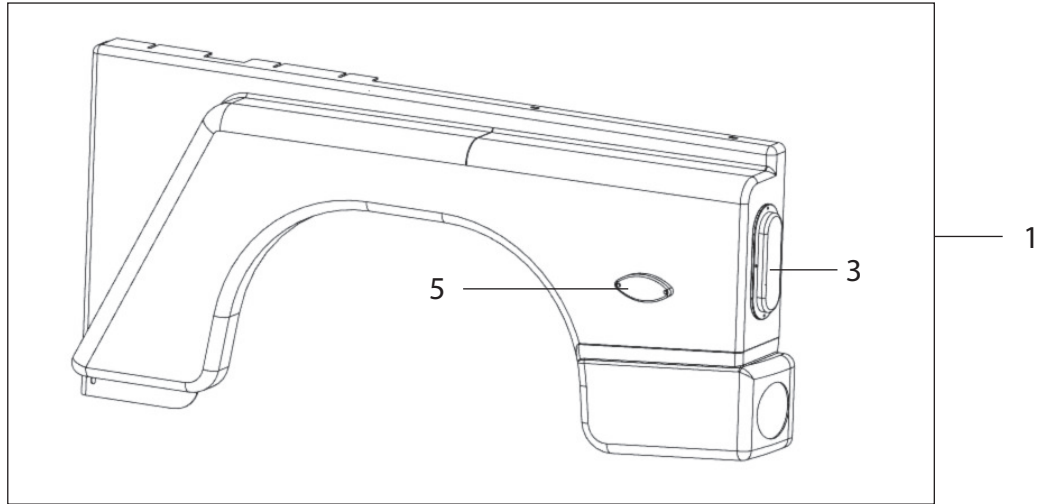
10



## BODY - FRONT FENDER ASSY. &amp; HOOD

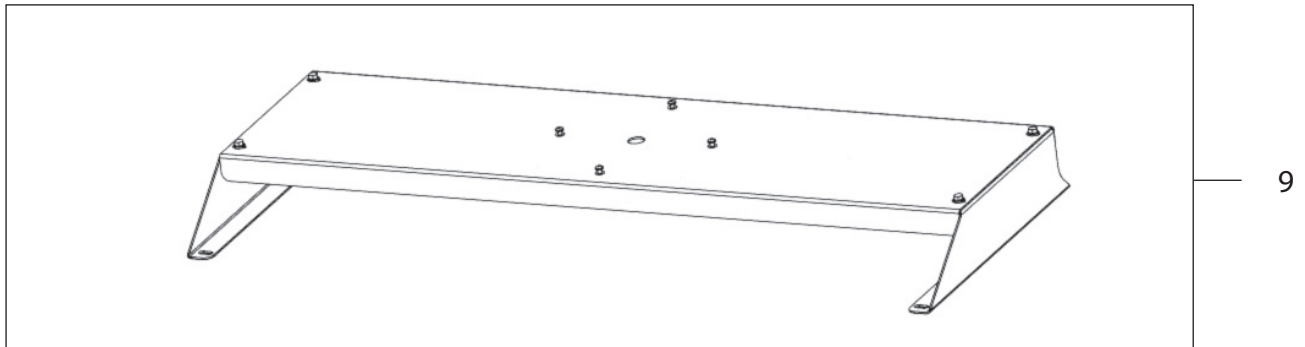
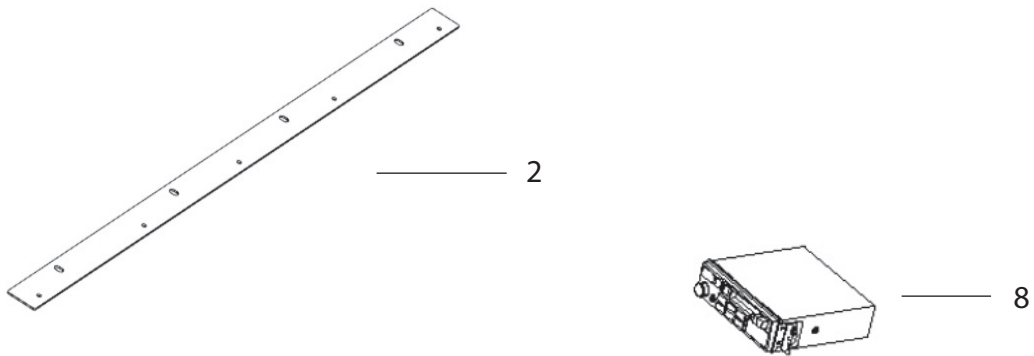
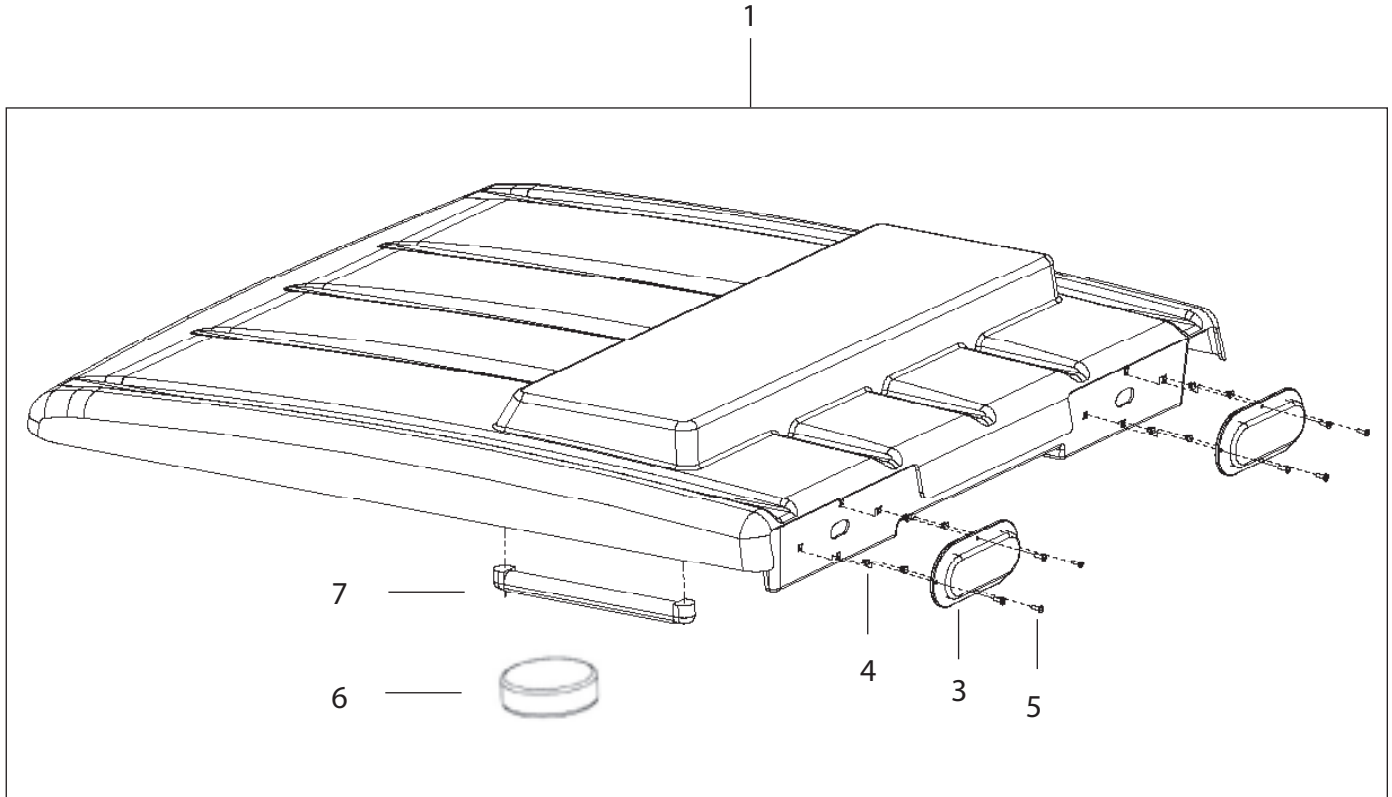
<u>REF.</u>	<u>PART NAME</u>	<u>PART NO.</u>	<u>QTY.</u>	<u>VIN #</u>
1	MIRROR LH	3-86-001	1	
	MIRROR RH	3-86-002	1	
2	MIRROR	6-880-001	1	
	MIRROR	6-880-002	1	
3	ASSEMBLY SIDE PANEL, LH (STANDARD)	6-60-034	1	D1~D159
	ASSEMBLY SIDE PANEL, RH (STANDARD)	6-60-035	1	D1~D159
4	ASSEMBLY SIDE PANEL, LH (NEW YORK)	3-60-002	1	D1~D159
	ASSEMBLY SIDE PANEL, RH (NEW YORK)	3-60-003	1	D1~D159
5	ASSEMBLY SIDE PANEL, LH	6-810-001	1	D160~
	ASSEMBLY SIDE PANEL, RH	6-810-004	1	D160~
6	MARKER LED LIGHT FRT	6-91-306	2	
7	HOOD, FRONT	6-810-106	1	
8	KEY CYLINDER	471-61(09)	1	
9	HINGE MOUNT, FRONT HOOD LH	6-870-101	1	
	HINGE MOUNT, FRONT HOOD RH	6-870-102	1	
10	SPLASH GUARD ASSEMBLY	6-60-304	1	

BODY - REAR FENDER ASSY.



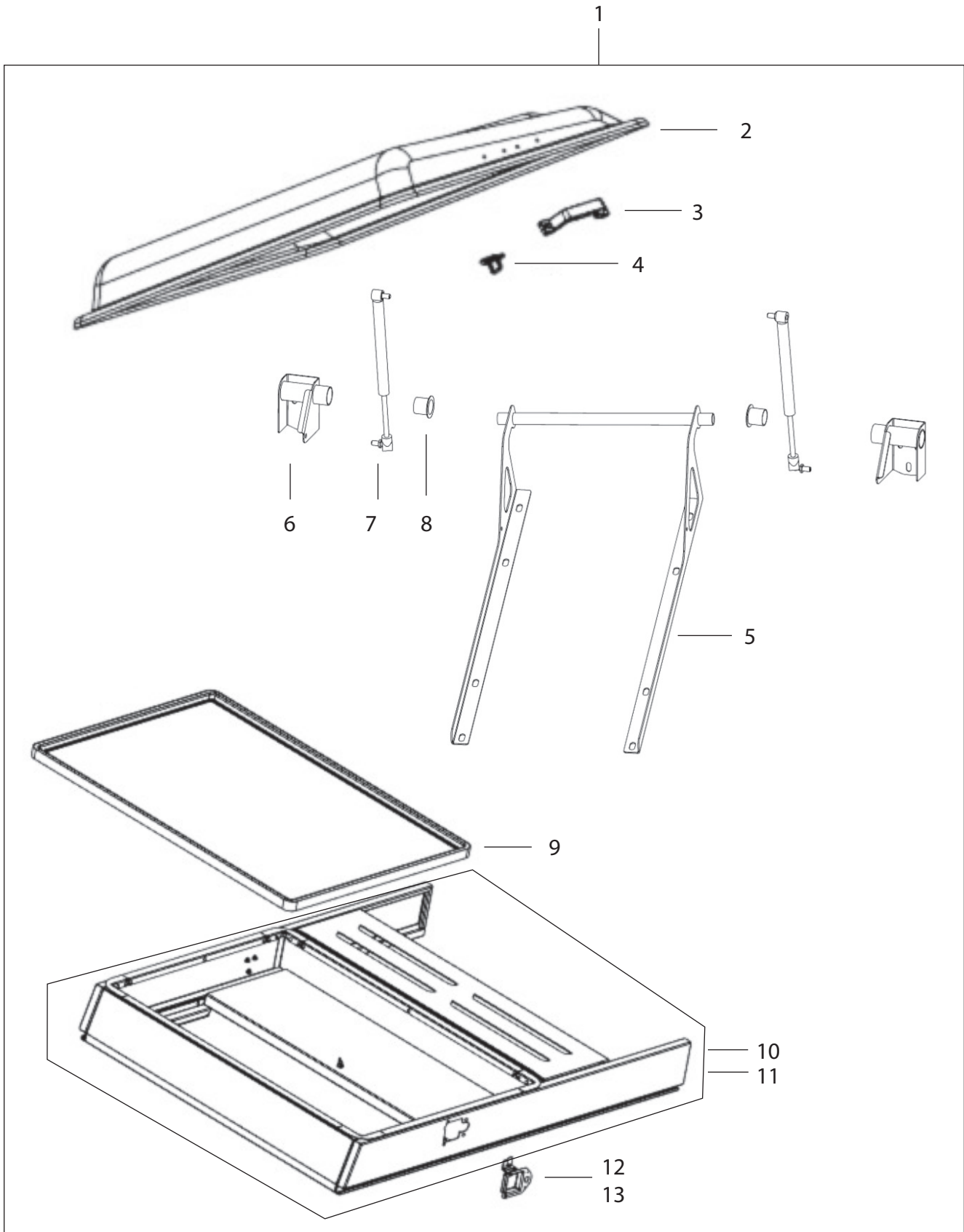
## BODY - REAR FENDER ASSY.

<i>REF.</i>	<i>PART NAME</i>	<i>PART NO.</i>	<i>QTY.</i>	<i>VIN #</i>
1	REAR FENDER ASSEMBLY LH	6-820-001	1	
2	REAR FENDER ASSEMBLY RH	6-820-002	1	
3	STOP, BRAKE, TURN LED LIGHT	6-91-315	2	
4	PLASTIC CLIP	774466	10	
5	MARKER LED LIGHT REAR	6-91-311	2	
6	KEY CYLINDER	471-61(09)	1	
7	REAR FASCIA ASSEMBLY	6-60-033	1	
8	BACK UP LED LIGHT	6-944-001	2	
9	LICENSE PLATE LED LIGHT	6-91-320	1	
10	LICENSE PLATE LIGHT BRACKET	6-91-321	1	
11	PLASTIC CLIP - LICENSE PLATE	773733	2	



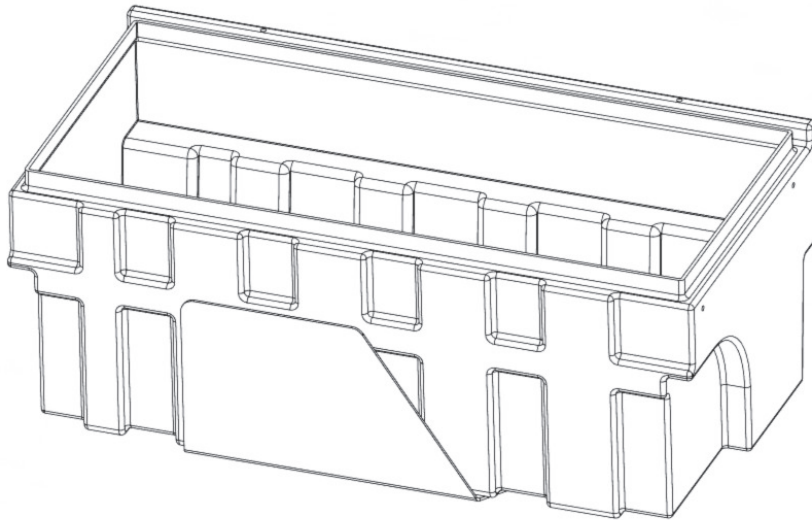
## BODY - ROOF ASSY.

<i>REF.</i>	<i>PART NAME</i>	<i>PART NO.</i>	<i>QTY.</i>	<i>VIN #</i>
1	ROOF ASSEMBLY	6-860-001	1	
2	ROOF MOUNT TAB	6-10-181	1	D1~D85
3	STOP TAIL TURN LED LIGHT	6-91-315	1	
4	PLASTIC CLIP	774466	8	
5	SCREW	774337	8	
6	DOME LIGHT	1-91-217	1	
7	LED STRIP COMPARTMENT (OPTION)	6-940-001	1	
8	AM/FM CD STEREO	1-91-405	1	
9	MOUNT, LIGHT BAR	6-86-120	1	D1~D136

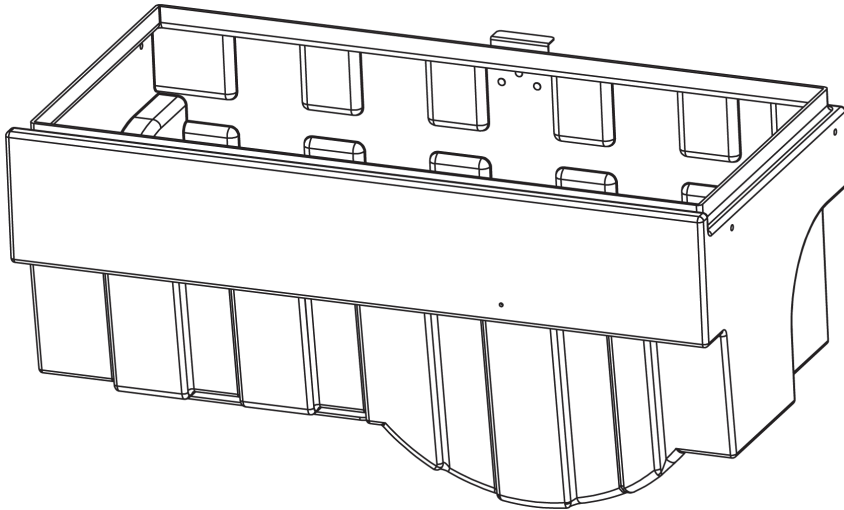


## BODY - UPPER TRUNK ASSY.

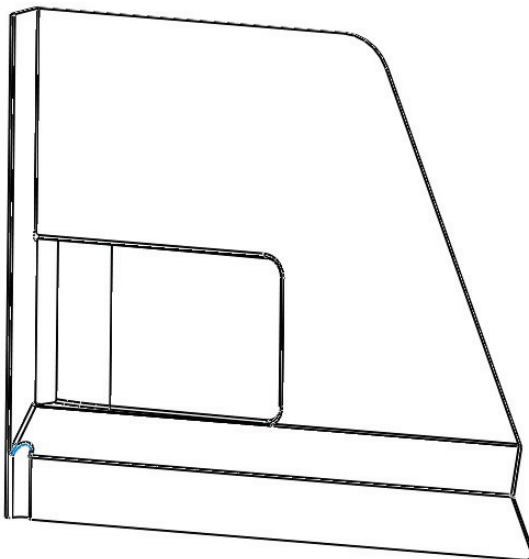
<i>REF.</i>	<i>PART NAME</i>	<i>PART NO.</i>	<i>QTY.</i>	<i>VIN #</i>
1	UPPER TRUNK ASSY	1-65-010	1	
2	TRUNK LID	1-65-422	1	
3	HANDLE TRUNK LID	4302-01	1	
4	STRIKER ASSEMBLY TAILGATE	81710-02010	1	
5	TRUNK HINGE	1-65-180	1	
6	TRUNK HINGE MOUNT LH	3-65-120	1	
	TRUNK HINGE MOUNT RH	3-65-121	1	
7	GAS PROP	H-9412	2	
8	BUSHING	621469	2	
9	SEAL, TRUNK LID	1-65-175	1	D1~ D76
	SEAL, TRUNK LID	6-65-136	1	D77~
10	PANEL UPPER TRUNK ASSY (STANDARD)	6-65-400	1	
11	PANEL UPPER TRUNK ASSY (HINGED DOOR)	6-65-500	1	
12	TRUNK LATCH W/ GUIDE PLATE	18-471-SS (ep)	1	
13	KEY CYLINDER	471-61(09)	1	



1



2



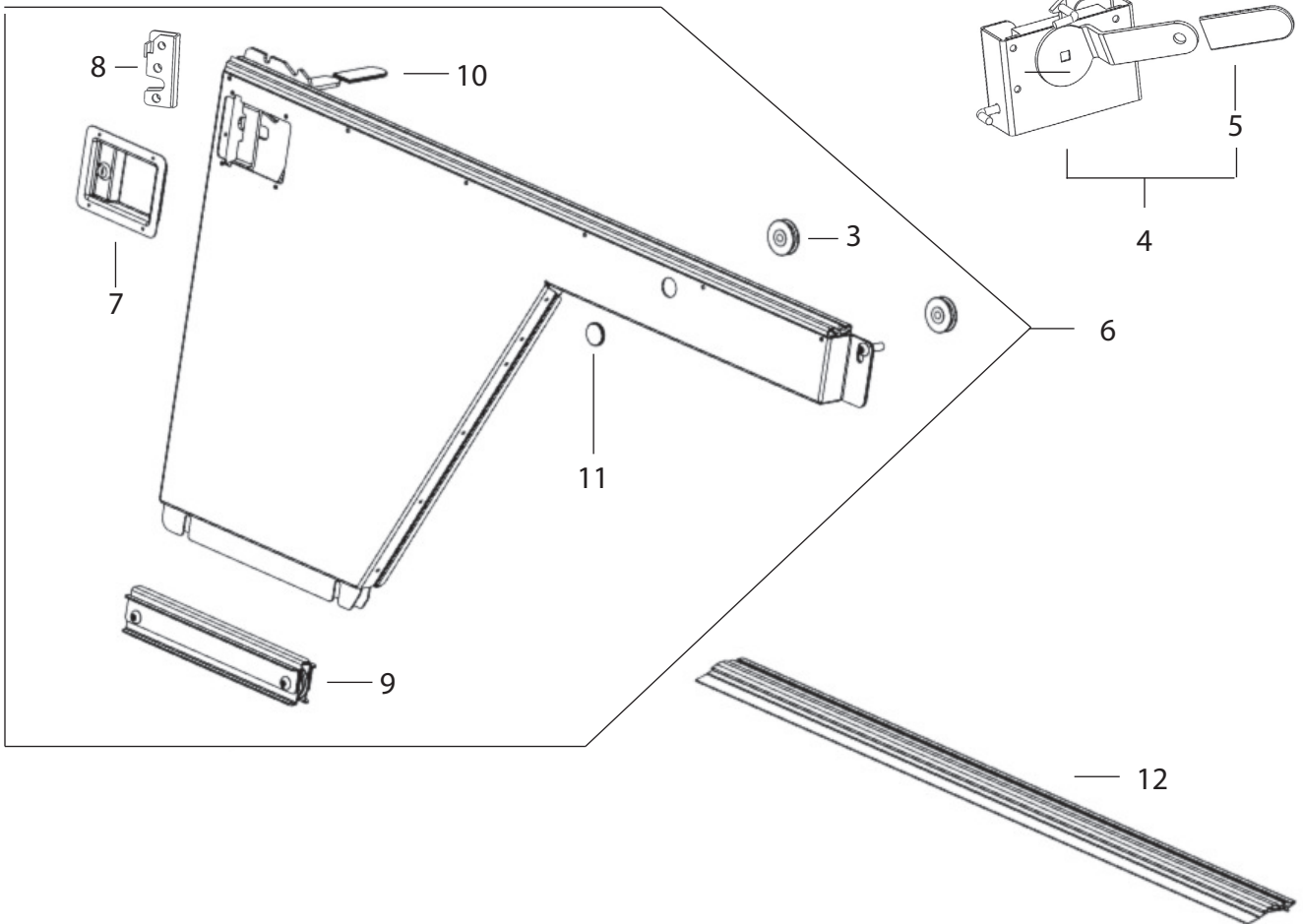
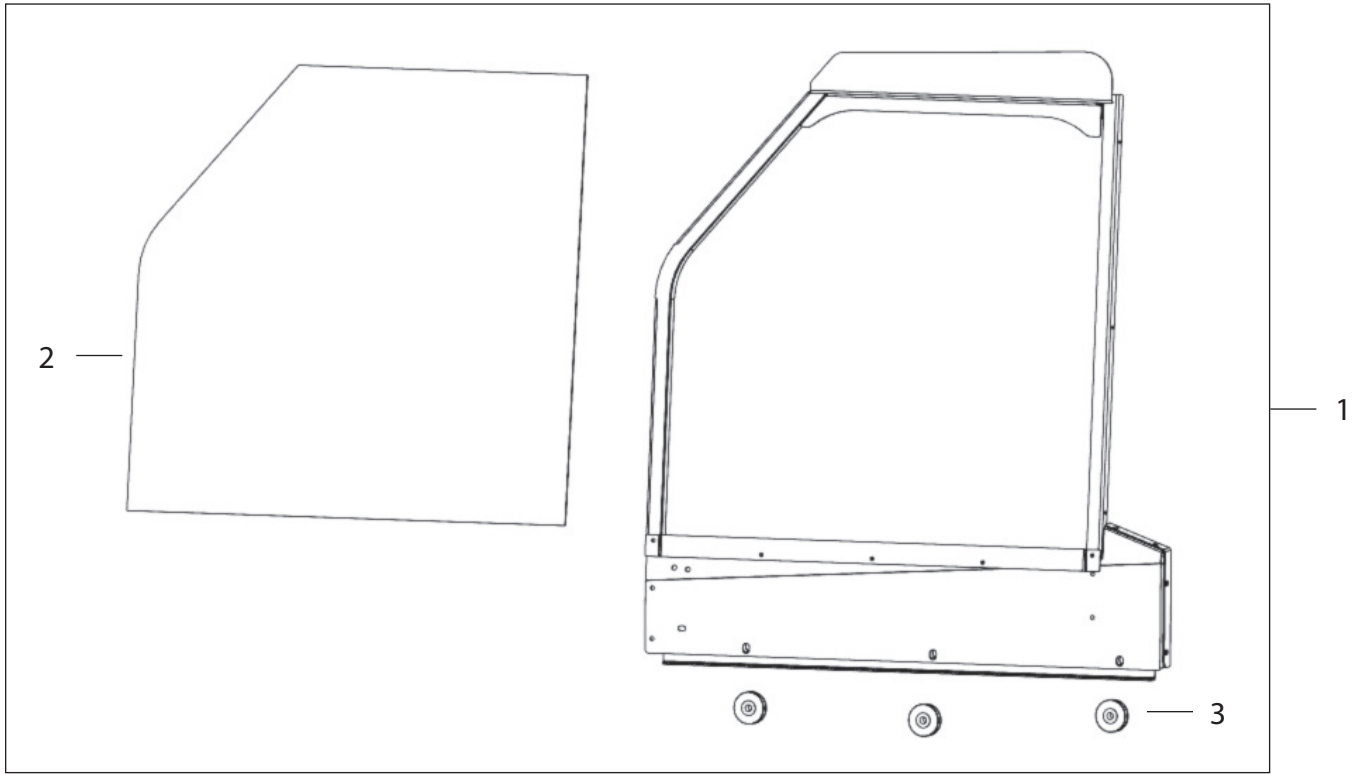
3



## BODY - LOWER TRUNK ASSY.

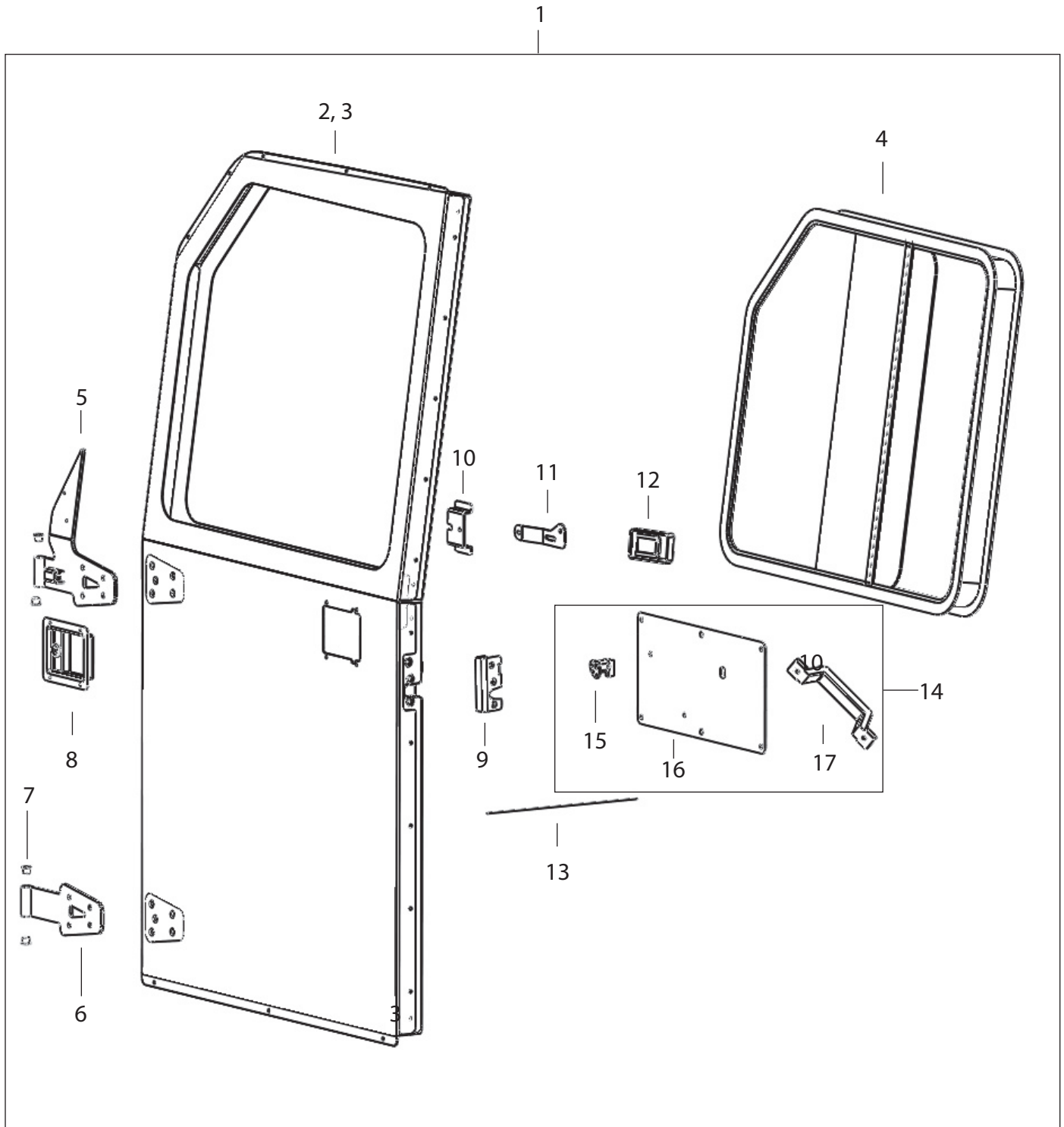
<i>REF.</i>	<i>PART NAME</i>	<i>PART NO.</i>	<i>QTY.</i>	<i>VIN #</i>
1	LOWER TRUNK ASSY	1-65-008	1	D1~D159
2	LOWER TRUNK ASSY	6-825-002	1	D160~
3	PANEL SIDE, LH	1-60-241	1	
	PANEL SIDE, RH	1-60-242	1	

DOOR & WINDOW - DOOR ASSY.



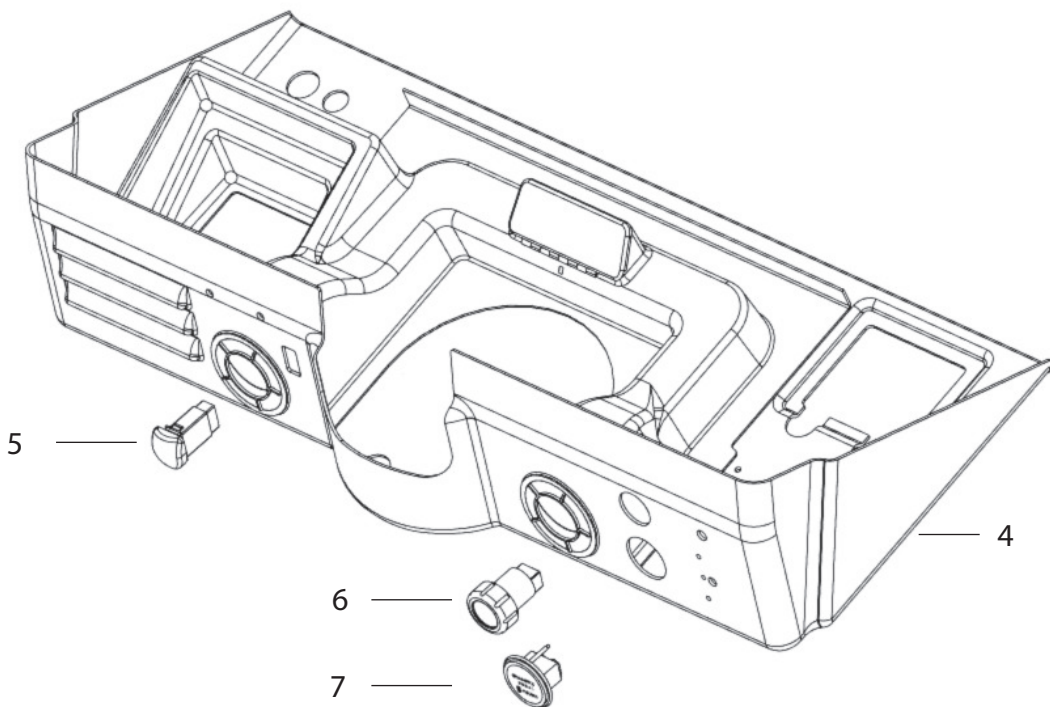
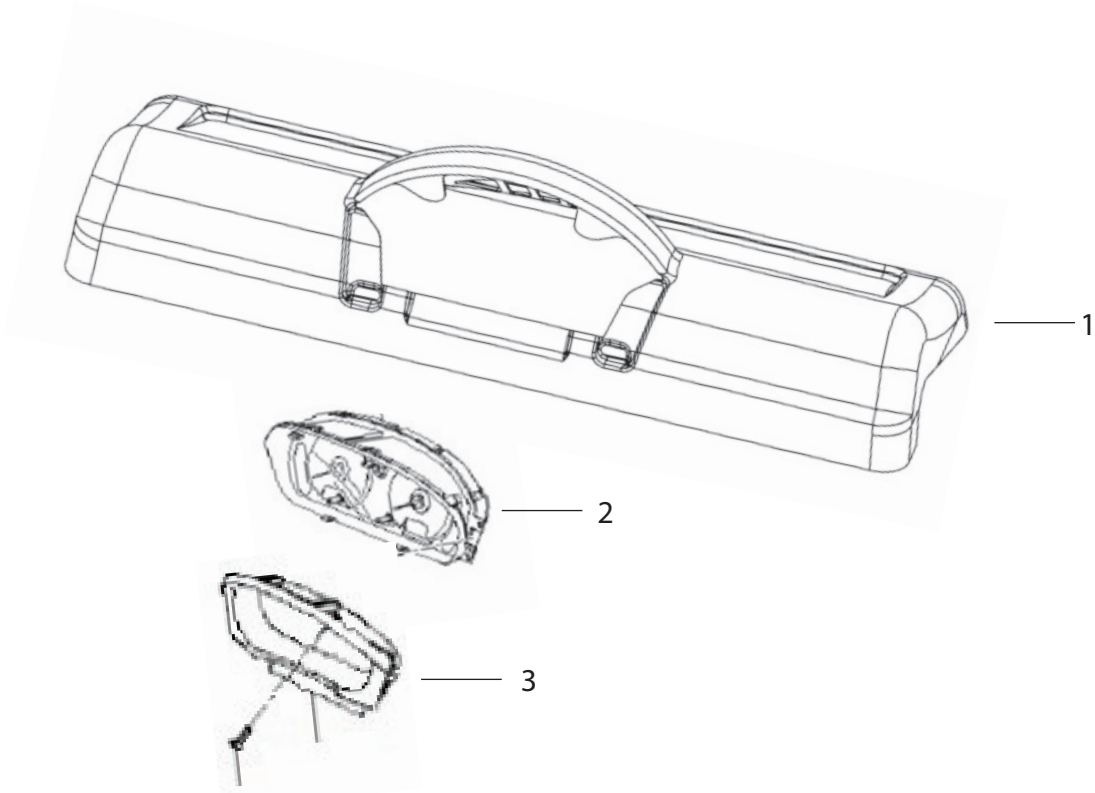
## DOOR &amp; WINDOW - DOOR ASSY.

<i>REF.</i>	<i>PART NAME</i>	<i>PART NO.</i>	<i>QTY.</i>	<i>VIN #</i>
1	WINDOW ASSEMBLY, LH	1-81-003	1	
	WINDOW ASSEMBLY, RH	1-81-004	1	
2	DOOR GLASS	633535	1	
3	PULLEY ROLLER	583688	10	
4	WINDOW LATCH ASSEMBLY, LH	1-81-005	1	
	WINDOW LATCH ASSEMBLY, RH	1-81-006	1	
5	WINDOW HANDLE GRIP (BLACK)	1-81-246	2	
6	DOOR ASSEMBLY, LH	1-81-001	1	
	DOOR ASSEMBLY, RH	1-81-002	1	
7	PADDLE HANDLE DOOR LATCH	1-81-129	2	
8	LATCH, DOOR LH	1-81-125	1	
	LATCH, DOOR RH	1-81-126	1	
9	DOOR ROLLER ASSY LH / RH	1-81-007	2	
10	DOOR HANDLE GRIP (RED)	584004	2	
11	HOLE PLUG	245-161	2	
12	RAIL LOWER, LH	1-81-311	1	
	RAIL LOWER, RH	1-81-312	1	



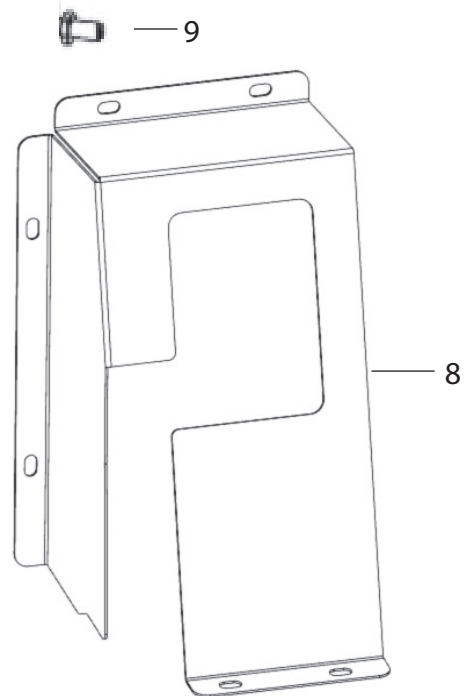
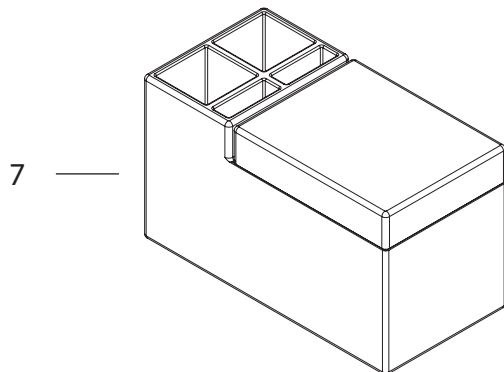
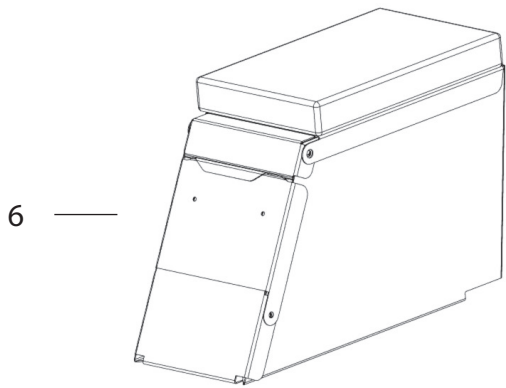
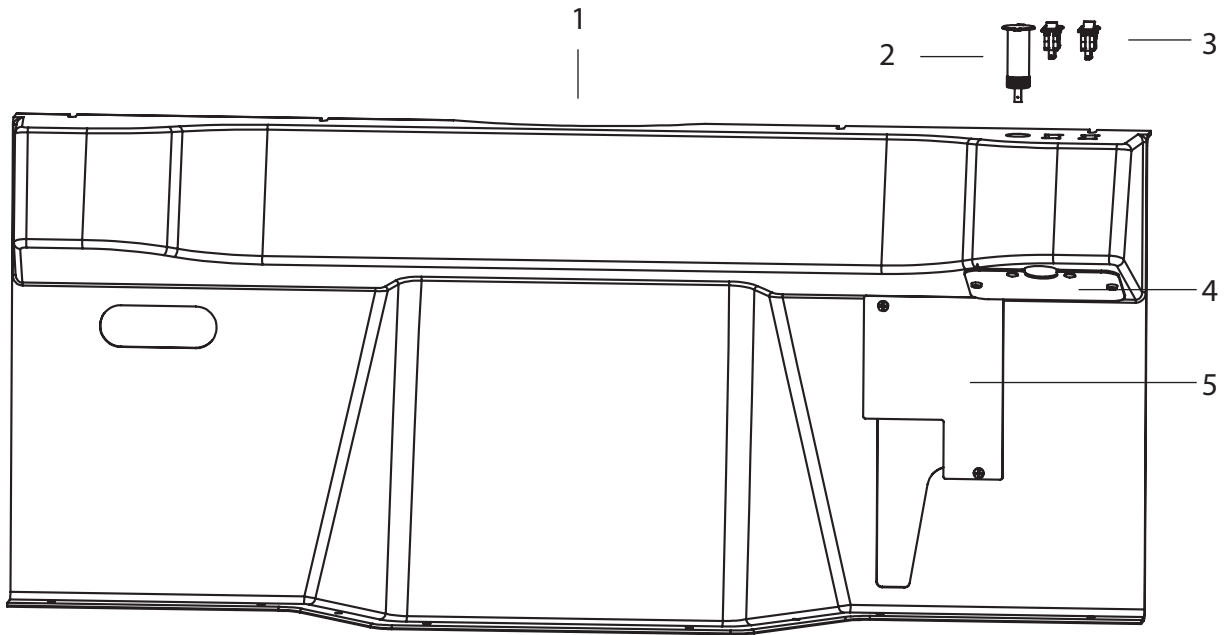
## DOOR &amp; WINDOW - HINGED DOOR ASSY.

<i>REF.</i>	<i>PART NAME</i>	<i>PART NO.</i>	<i>QTY.</i>	<i>VIN #</i>
1	ASSEMBLY, HINGED DOOR, LH	3-81-001	1	
	ASSEMBLY, HINGED DOOR, RH	3-81-002	1	
2	OUTER PANEL, HINGED DOOR LH	6-81-201	1	
	OUTER PANEL, HINGED DOOR RH	6-81-301	1	
3	INNER PANEL, HINGED DOOR LH	6-81-202	1	
	INNER PANEL, HINGED DOOR RH	6-81-302	1	
4	WINDOW HINGED DOOR, LH	3-81-101	1	
	WINDOW HINGED DOOR, RH	3-81-102	1	
5	UPPER DOOR HINGE, LH	6-81-210	1	
	UPPER DOOR HINGE, RH	6-81-310	1	
6	LOWER DOOR HINGE	6-81-220	2	
7	NYLON BUSHING	771912	8	
8	REMOTE PADDLE HANDLE DOOR LATCH	1-81-129	2	
9	LATCH, DOOR LH	1-400L	1	
	LATCH, DOOR RH	1-400R	1	
10	BRACKET INSIDE PADDLE HANDLE	3-81-108	2	
11	LINK, DOOR LATCH	3-81-109	2	
12	INNER DOOR HANDLE	AA100-58-320	2	
13	CABLE, DOOR LATCH	3-81-116	2	
14	ASSEMBLY, INSPECTION PANEL, LH	3-81-003-02	1	
	ASSEMBLY, INSPECTION PANEL, RH	3-81-002-02	1	
15	INSIDE DOOR LOCK	522-X66 (11)	2	
16	INSPECTION PANEL HINGED DOOR	5-81-104	2	
17	ASSIST DOOR HANDLE	AA100-69-470	2	



## INTERIOR - DASH ASSY.

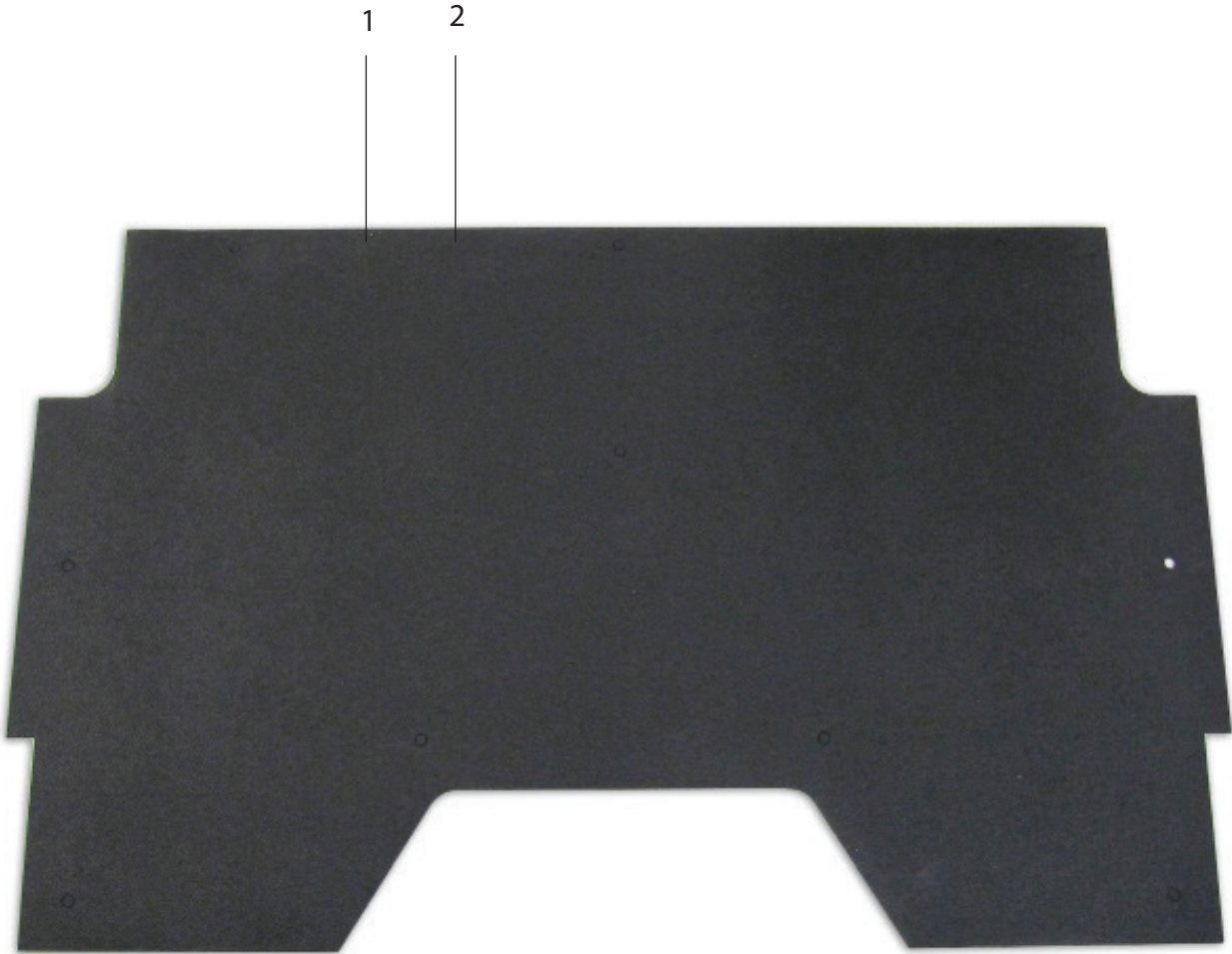
<i>REF.</i>	<i>PART NAME</i>	<i>PART NO.</i>	<i>QTY.</i>	<i>VIN #</i>
1	DASH PANEL	1-84-025	1	
2	INSTRUMENT CLUSTER	94001-07030	1	
3	CLUSTER FASCIA	84830-07900	1	
4	DASH BASE	1-84-318	1	
5	SWITCH, HAZARD LIGHT SWITCH	93360-02000	1	
6	SWITCH, FAN CONTROL	97256-02150	1	
7	HOUR METER	674184	1	





## INTERIOR - PANELS

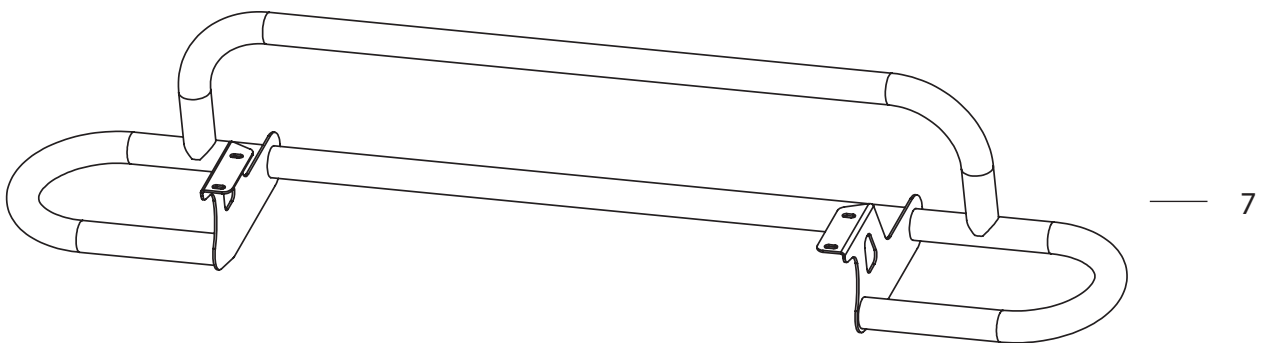
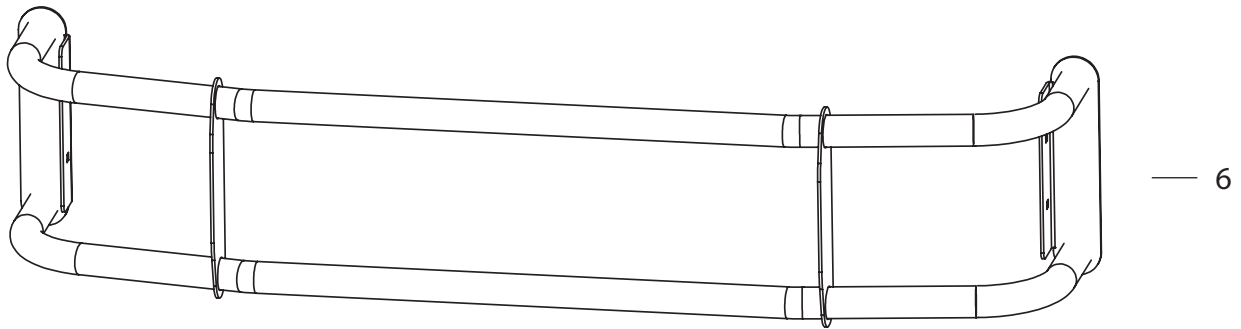
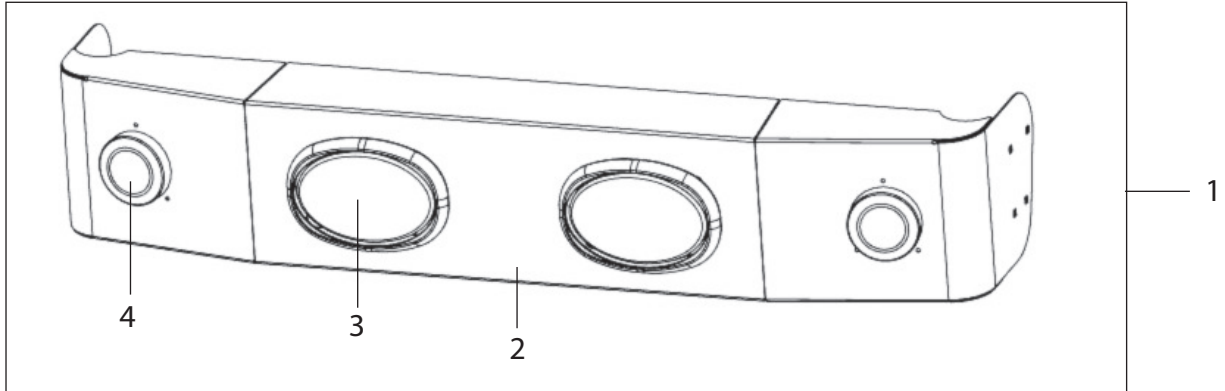
<i>REF.</i>	<i>PART NAME</i>	<i>PART NO.</i>	<i>QTY.</i>	<i>VIN #</i>
1	LOWER DASH ASSY	1-84-311	1	
2	POWER OUTLET	850008	1	
3	ILLUMINATED ROCKER SWITCH	662836	2	
4	ACCESS PANEL, LOWER DASH COVER	1-84-310	1	
5	ACDESS PANEL, BRAKE PEDAL	6-84-005	1	
6	ARMREST ASSEMBLY (OPTION)	1-96-004	1	
7	CONSOLE BOX (OPTION)	6-830-102	1	
8	SHIFTER COVER	6-84-103	1	
9	PLASTIC CLIP	774474	6	



## INTERIOR - LOWER DASH COVER &amp; MATS

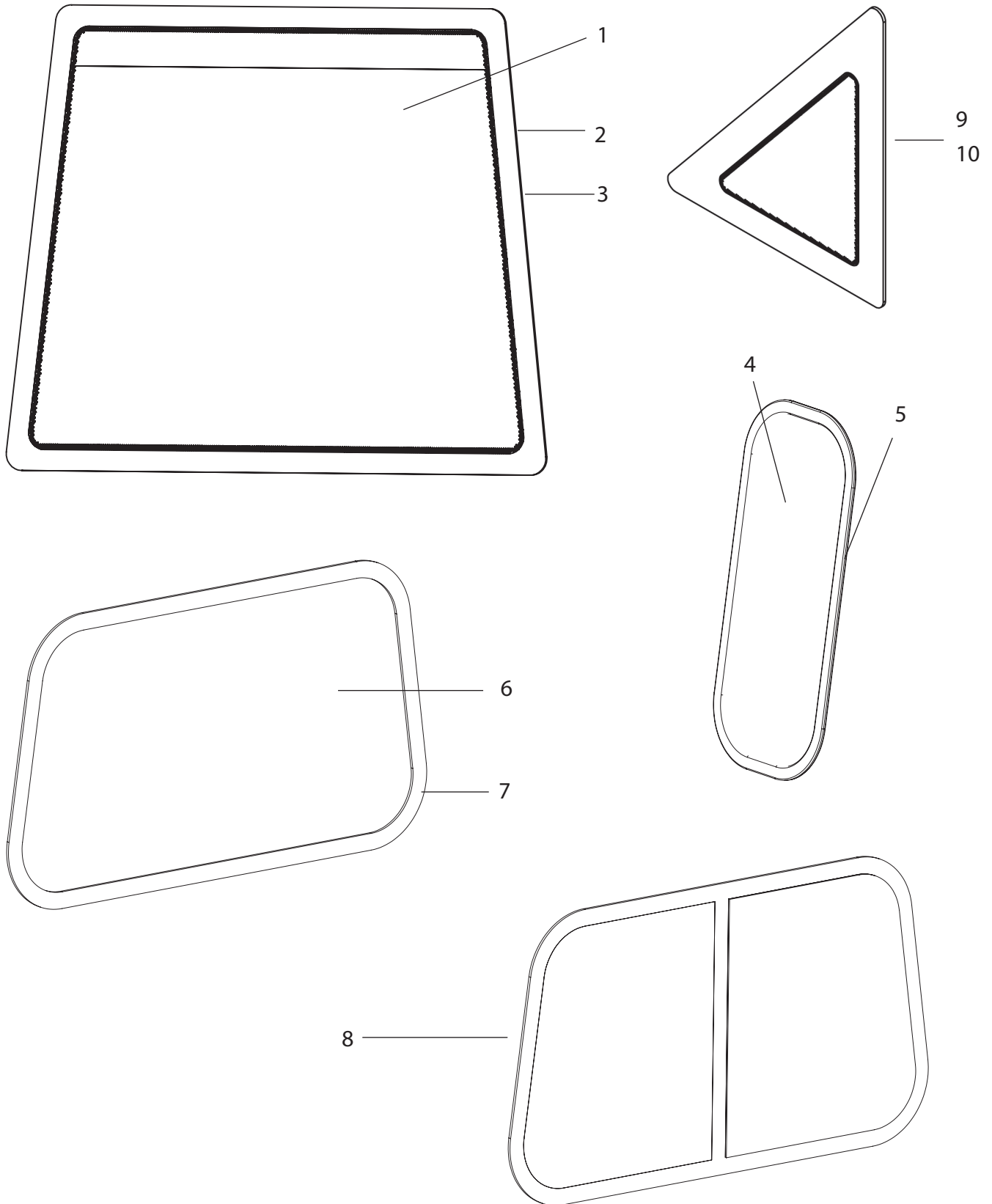
<i>REF.</i>	<i>PART NAME</i>	<i>PART NO.</i>	<i>QTY.</i>	<i>VIN #</i>
1	FLOOR MAT (STANDARD)	6-84-102	1	
2	FLOOR MAT (HINGED DOOR)	6-84-101	1	
3	FLOOR MOUNTING TAB	771099	10	

EXTERIOR - REAR BUMPER



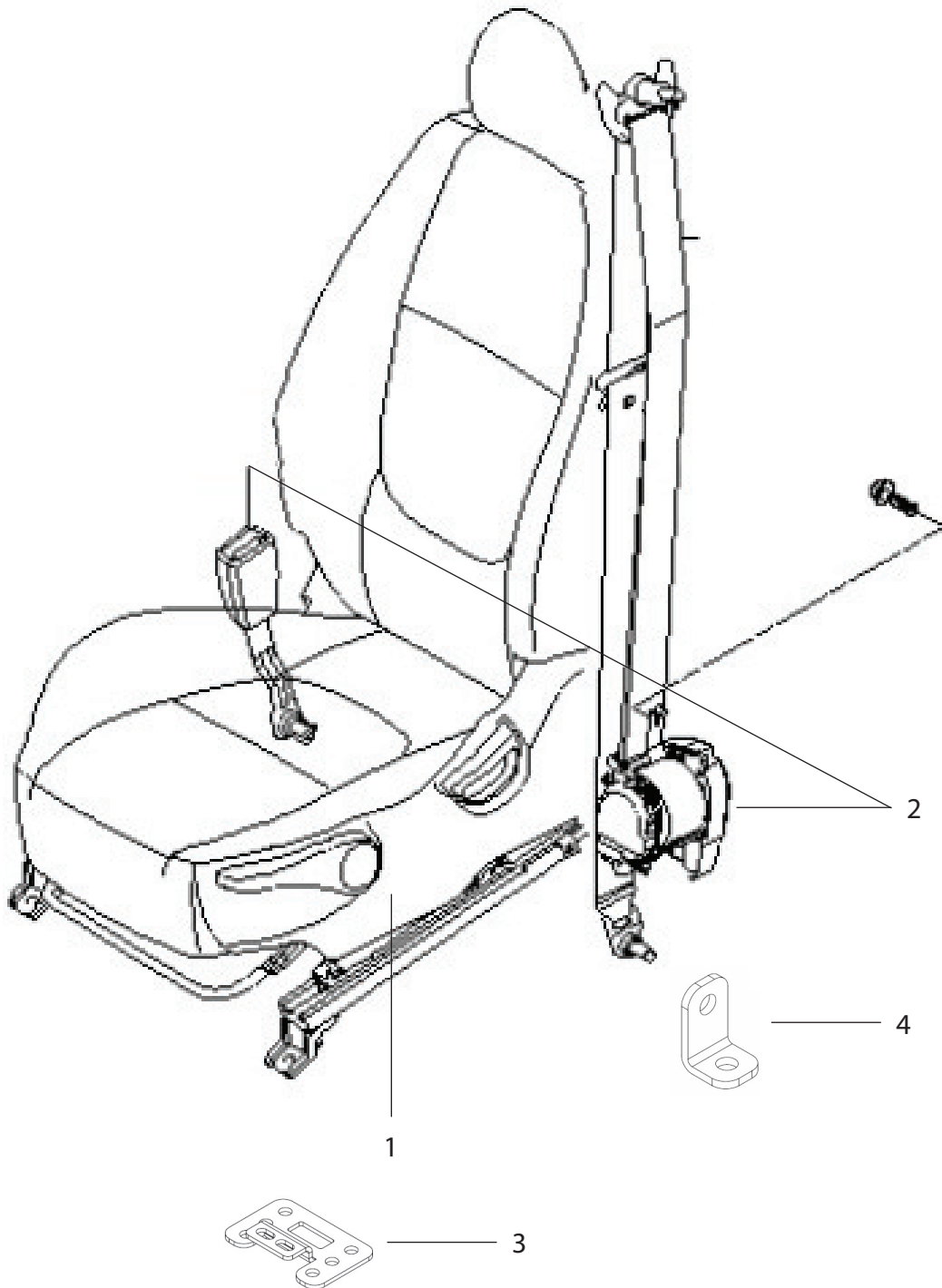
## EXTERIOR - REAR BUMPER

<i>REF.</i>	<i>PART NAME</i>	<i>PART NO.</i>	<i>QTY.</i>	<i>VIN #</i>
1	FRONT BUMPER ASSEMBLY	6-86-009	1	
2	WELDMENT FRONT BUMPER	6-86-144	1	
3	HEAD LIGHT	1-91-308	2	
4	TRUN LED LIGHT	6-942-002	2	
5	REAR BUMPER	6-10-150	1	
6	NERF BAR, FRONT (OPTION)	1-86-114	1	
7	NERF BAR, REAR (OPTION)	6-86-130	1	



## EXTERIOR - GLASS &amp; SEALS

<i>REF.</i>	<i>PART NAME</i>	<i>PART NO.</i>	<i>QTY.</i>	<i>VIN #</i>
1	WINDSHIELD (STANDARD)	630994	1	D01~D95
	WINDSHILED	6-86-110	1	D96~
2	SEAL, WINDSHIELD 132"	682259	1	D01~D95
3	MOULDING (NOT SHOWN)	6-86-112	1	D96~
4	SIDE GLASS	633528	2	
5	SEAL, SIDE GLASS 57.75"	683724	2	
6	REAR WINDOW (STANDARD)	630995	1	
7	SEAL, REAR WINDOW 104.75"	684001	1	
8	SLIDING REAR WINDOW (OPTION)	1-86-304	1	
	SCREWS, SLIDING REAR WINDOW	771685	20	
9	GLASS, FRONT SIDE LH	6-880-015	1	
10	GLASS, FRONT SIDE RH	6-880-016	1	



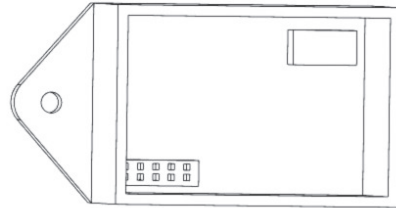


## SEAT - SEAT ASSY. &amp; SEAT BELT

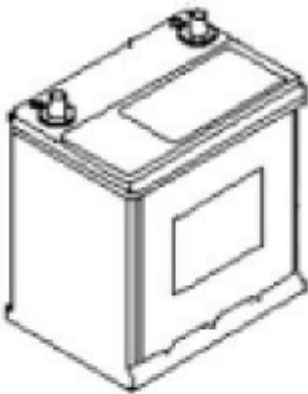
<i>REF.</i>	<i>PART NAME</i>	<i>PART NO.</i>	<i>QTY.</i>	<i>VIN #</i>
1	SEAT ASSY	6-88-001	1	
2	SEAT BELT ASSY	6-88-002	1	
3	MOUNT SEAT BRACKET	6-88-102	4	D01~D91
4	SEAT BELT BRACKET	1-88-113	1	



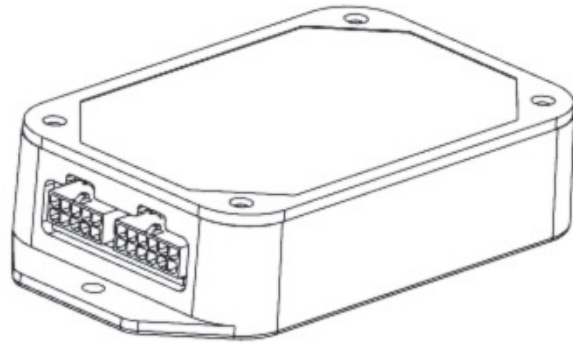
1



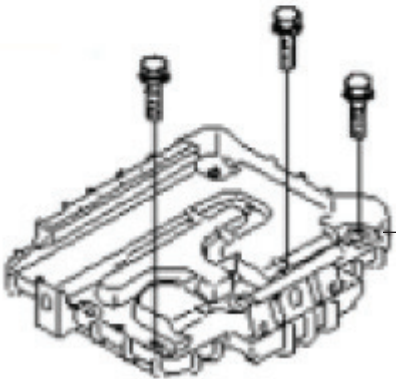
4



2



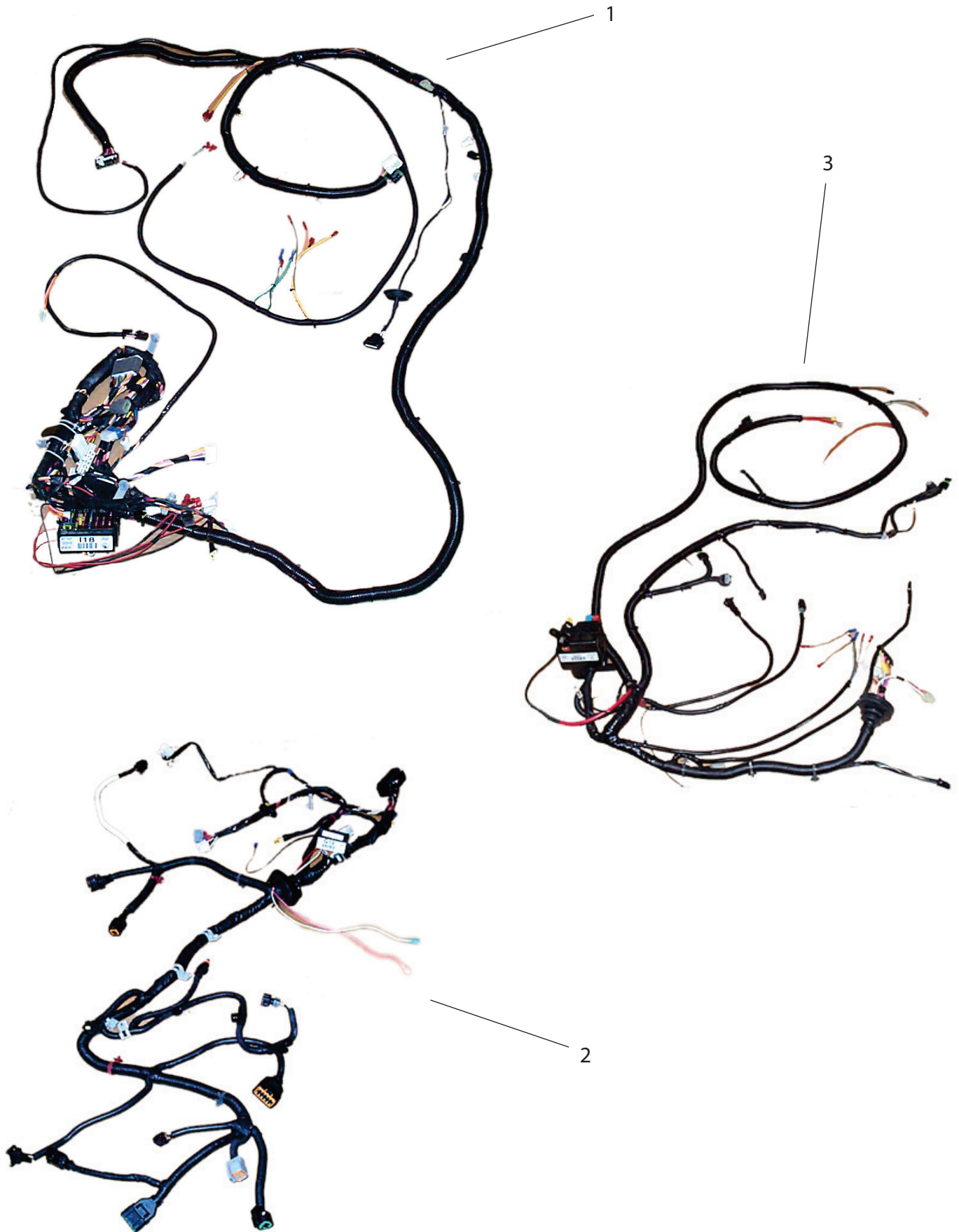
5



3

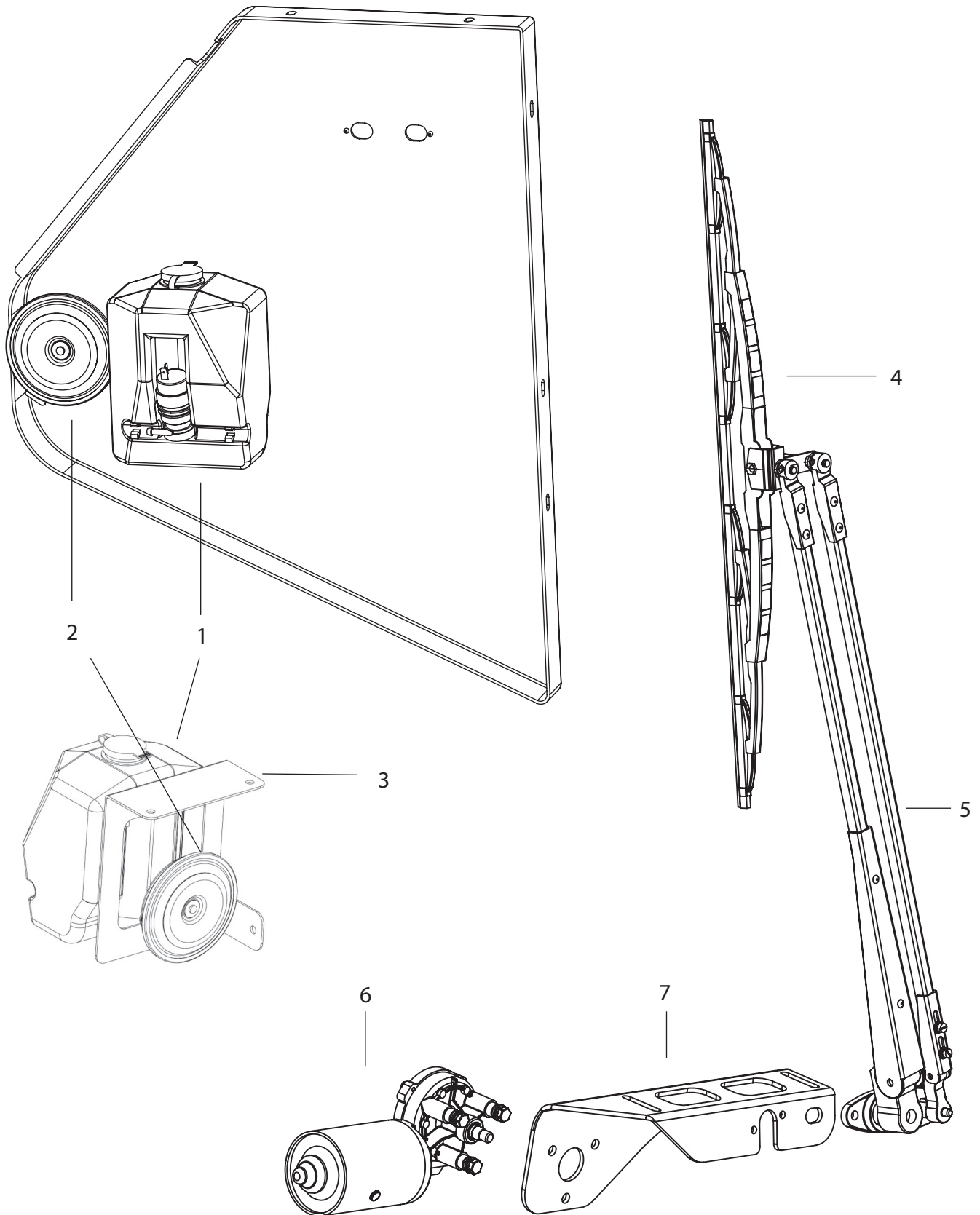
## CHASSIS ELECTRICAL

<i>REF.</i>	<i>PART NAME</i>	<i>PART NO.</i>	<i>QTY.</i>	<i>VIN #</i>
1	SCANNER	6-990-001	1	
2	BATTERY 500 CCA (STANDARD)	213 800	1	
	BATTERY 550 CCA (HEAVY DUTY)	213 901	1	
3	BATTERY TRAY	6-960-001	1	
4	LTA UNIT	1-91-550	1	
5	GOVERNOR ASSEMBLY	6-91-555-30MPH (30 mi/h)	1	D1~D75
	GOVERNOR ASSEMBLY	6-91-555-40MPH (40mi/h)	1	D1~D75
6	GOVERNOR ASSEMBLY	6-980-002-30 (30mi/h)	1	D76~
	GOVERNOR ASSEMBLY	6-980-002-40 (40mi/h)	1	D76~



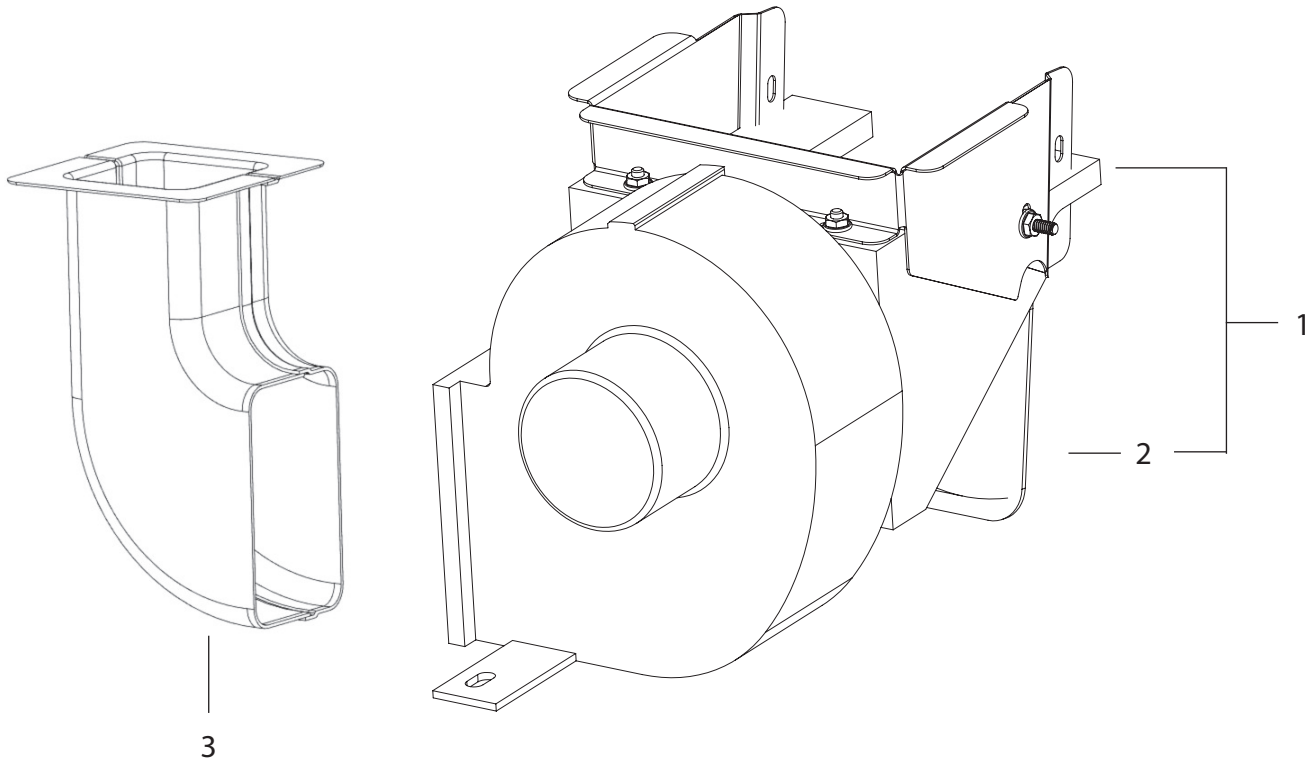
## CHASSIS ELECTRICAL

<i>REF.</i>	<i>PART NAME</i>	<i>PART NO.</i>	<i>QTY.</i>	<i>VIN #</i>
1	ENGINE HARNESS	6-67-1003	1	D1~D75
2	MAIN BODY HARNESS	6-67-1004	1	D1~D75
3	FRONT BODY LIGHT HARNESS	6-67-1005	1	
4	REAR BODY LIGHT HARNESS	6-67-1006	1	
5	GROUND HARNESS	6-67-1008	1	
6	POWER & ALTERNATOR HARNESS	6-67-1009	1	
7	ENGINE HARNESS	6-900-001	1	D76~
8	MAIN BODY HARNESS	6-900-002	1	D76~



## CHASSIS ELECTRICAL

<i>REF.</i>	<i>PART NAME</i>	<i>PART NO.</i>	<i>QTY.</i>	<i>VIN #</i>
1	BOTTLE & PUMP, WASHER	1-91-216	1	
2	HORN	96610-07100	1	
3	BRACKET, WASHER RESERVOIR	1-91-134	1	
4	WIPER BLADE	1-91-210	1	
5	WIPER ARM	1-91-209	1	
6	WIPER MOTOR	1-91-201	1	
7	MOUNTING PLATE, WIPER MOTOR	1-91-101	1	





## HEATER AND A/C BLOWER

<i>REF.</i>	<i>PART NAME</i>	<i>PART NO.</i>	<i>QTY.</i>	<i>VIN #</i>
1	BLOWER ASSEMBLY	1-97-101	1	
2	BLOWER UNIT	614008	1	
3	AIR DUCT	1-97-126	1	
4	HEATER CORE	614009	1	
5	HEATER HOSE (NOT SHOWN)	1-25-200	2	