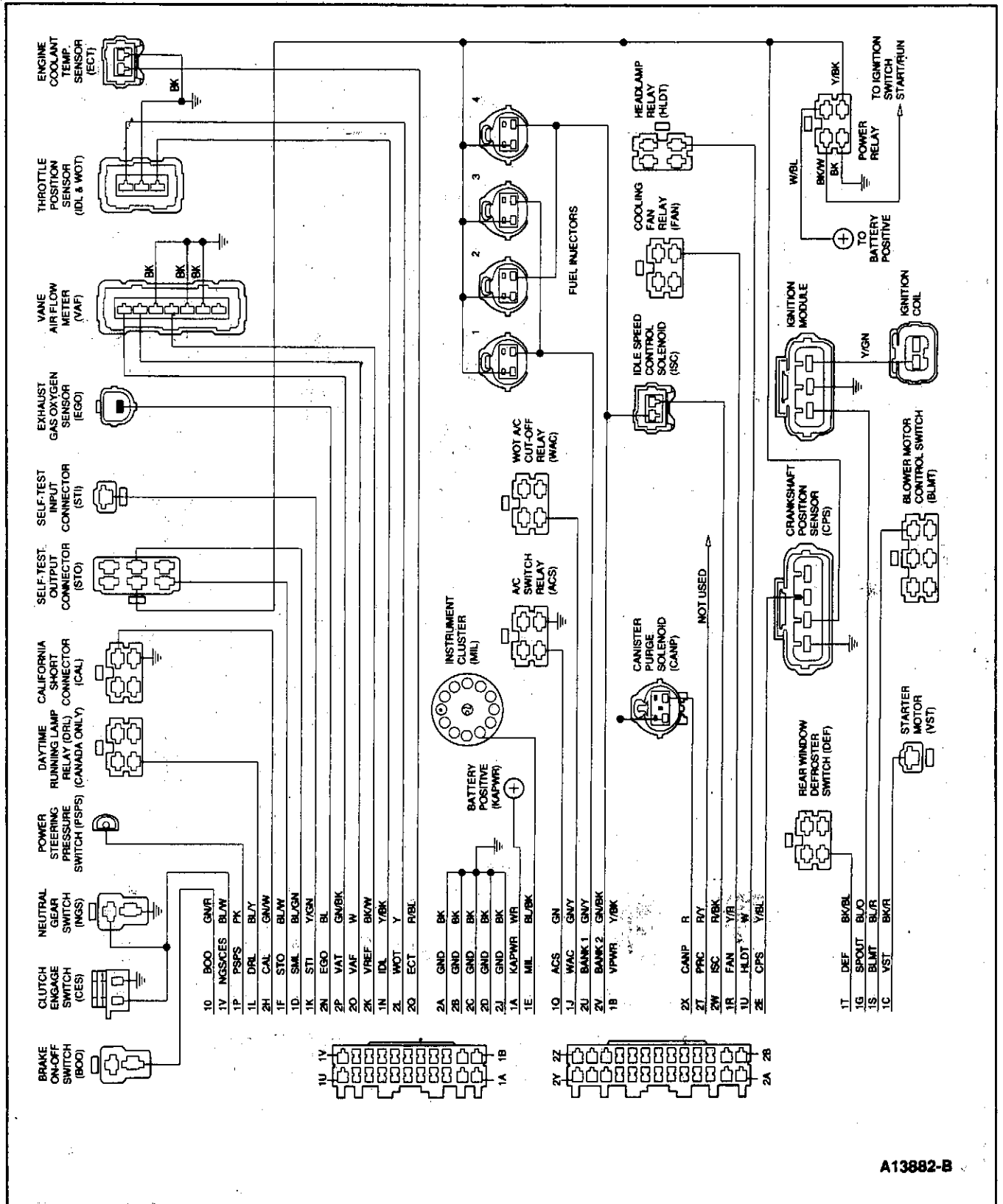


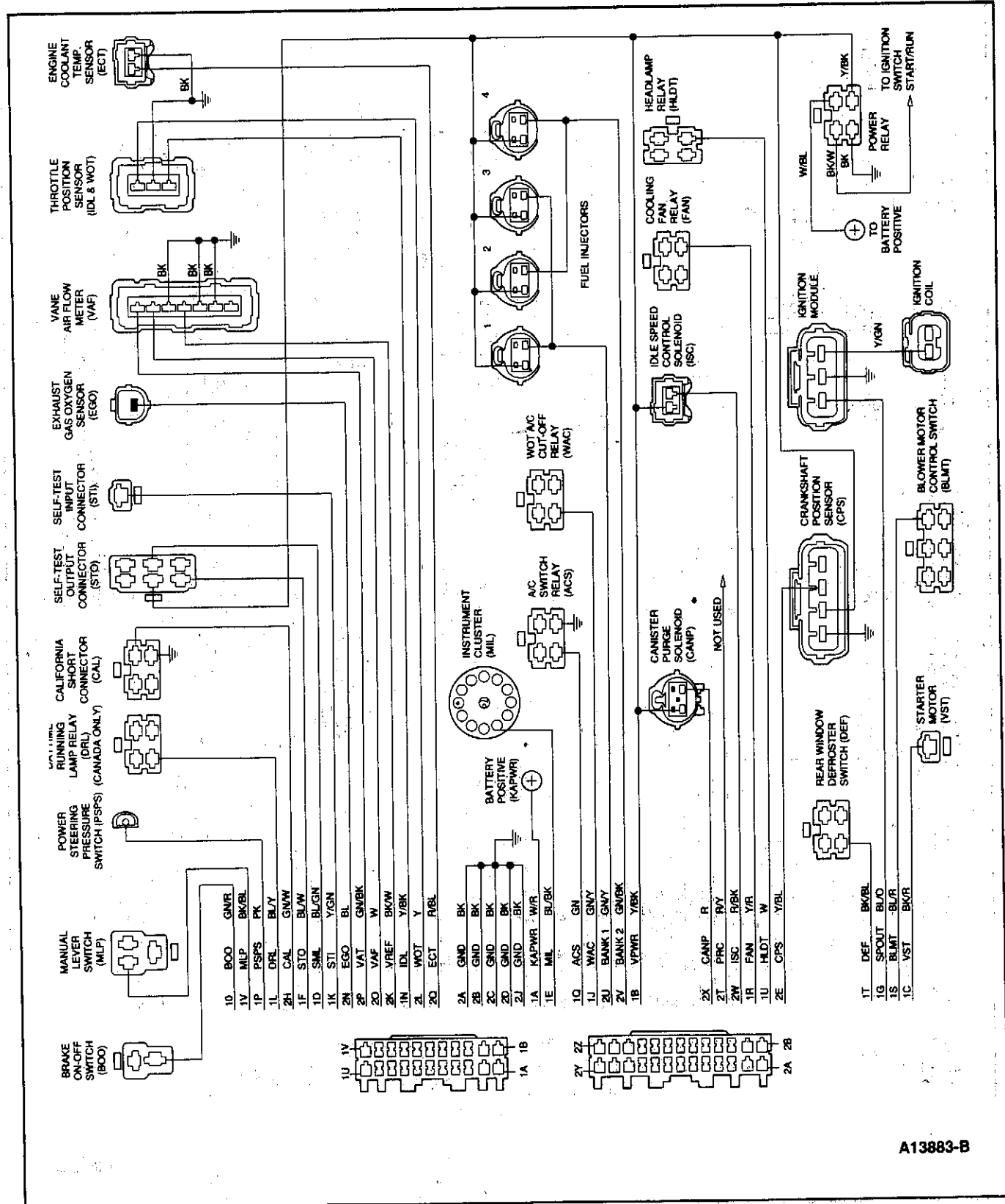
# Electrical Schematic

## 1.3L ATX



# Electrical Schematic

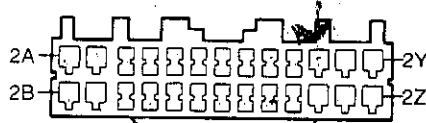
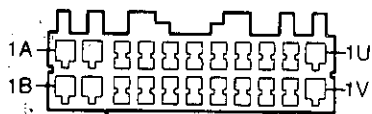
## 1.3L MTX



# ECA Connector Pin Usage

1.3L

ECA PIN	BREAKOUT BOX PIN	WIRE COLOR	APPLICATION	ABBREV.
1A	1	W/R	Keep Alive Power	KAPWR
1B	37/57	Y/BK	Vehicle Power	VPWR
1C	5	BK/R	Vehicle Start	VST
1D	38	BL/GN	Switch Monitor Lamp	SML
1E	15	BL/BK	Malfunction Indicator Lamp	MIL
1F	17	BL/W	Self Test Output	STO
1G	36	BL/O	Spark Output	SPOUT
1J	54	GN/Y	WOT A/C Cut-Off Relay	WAC
1K	48	Y/GN	Self Test Input	STI
1L	42	BL/Y	Daytime Running Lamp (Canada Only)	DRL
1N	18	Y/BK	Idle Switch	IDL
1O	2	GN/R	Brake On-Off Switch	BOO
1P	19	PK	Power Steering Pressure Switch	PSPS
1Q	10	GN	A/C Switch	ACS
1R	22	Y/R	Engine Cooling Fan	FAN
1S	23	BL/R	Blower Motor Control Switch	BLMT
1T	30	BK/BL	Rear Window Defroster Switch	DEF
1U	28	W	Headlamp Switch	HLDT
1V	43	BL/W	Neutral Gear Switch/Clutch Engage Switch (MTX)	NGS/CES
1V	43	BK/BL	Manual Lever Position (ATX)	MLP
2A	39, 40, 44, 60	BK	Ground	GND
2B	20	BK	Ground	GND
2C	16	BK	Ground	GND
2D	46, 49	BK	Ground	GND
2E	56	Y/BL	Crankshaft Position Sensor	CPS
2H	51	GN/W	California Short Connector	CAL
2J	6	BK	Ground	GND
2K	26	BK/W	Reference Voltage	VREF
2L	27	Y	Wide Open Throttle Switch	WOT
2N	29	BL	Exhaust Gas Oxygen Sensor	EGO
2O	25	W	Vane Air Flow Meter	VAF
2P	45	GN/BK	Vane Air Temperature Sensor	VAT
2Q	7	R/BL	Engine Coolant Temperature Sensor	ECT
2T	11	R/Y	Fuel Pressure Regulator Control Solenoid	PRC
2U	58	GN/Y	Fuel Injectors 1 & 3	BANK 1
2V	59	GN/BK	Fuel Injectors 2 & 4 — Governor	BANK 2
2W	41	R/BK	Idle Speed Control Solenoid	ISC
2X	31	R	Canister Purge Solenoid	CANP



A13885-A

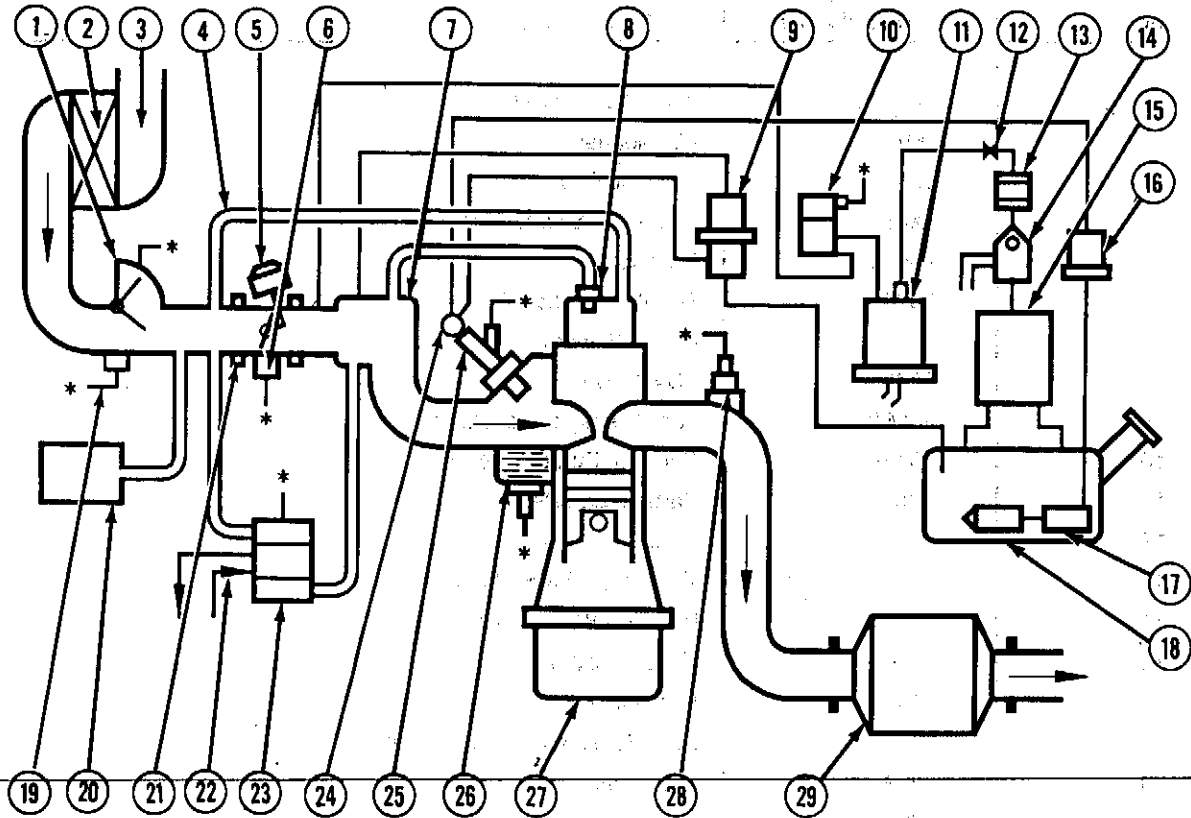
# Quick Test Codes and Code Definition

1.3L

SERVICE CODE	SERVICE CODE DEFINITION
02	Ignition Diagnostic Monitor (IDM)
08	Vane Air Flow Signal (VAFSIG)
09	Engine Coolant Temperature Sensor (ECT)
10	Vane Air Temperature Sensor (VAT)
14	Barometric Pressure Sensor (BP)
15	Exhaust Gas Oxygen Sensor (EGO) Voltage Always Below 0.55V (Lean)
17	Exhaust Gas Oxygen Sensor (EGO) Voltage Above at 0.55V (Rich)
26	Canister Purge Solenoid (CANP)
34	Idle Speed Control Solenoid (ISC)
"STO LO" Always On	Not Able to Initiate Self Test
"STI LO" Always On	Pass Code
And No Codes	
(Blank SUPER STAR II	
Screen)	

# Schematic Diagram Mechanical Emission Related Systems

1.3L



### COMPONENT LISTING BY SYSTEM

SYSTEM	COMPONENT (ITEM NUMBER)
Catalyst and Exhaust	28, 29
Evaporative Emission	10, 11, 12, 13, 14, 15
By Pass Air Control	22, 23
Inlet Air Control	7, 19, 20, 21, 22, 23
Positive Crankcase Ventilation	4, 8
Fuel Delivery	9, 16, 17, 18, 24, 25
EEC (Shown by " *" on Schematic Diagram)	1, 6, 10, 19, 23, 25, 26, 28

## Component Identification Mechanical Emission Related Systems

### 1.3L

Item	Base Part Number	Description
1	12B529	Vane Air Flow Meter
2	9600	Air Cleaner
3	6W651	Air Inlet Duct
4	6A664	Fresh Air Supply Hose
5	9B549	Dashpot
6	9B989	Throttle Position Sensor
7	9424	Intake Plenum
8	6A666	PCV Valve
9	9C968	Fuel Pressure Regulator
10	9D474	Canister Purge Solenoid
11	9D653	Carbon Canister
12	-	Orifice
13	-	Two-Way Check Valve
14	-	Rollover Vent Valve
15	9034	Vapor Separator
16	9155	Fuel Filter
17	9350	Fuel Pump and Inlet Screen
18	9002	Fuel Tank
19	12B529	Vane Air Temperature Sensor
20	9F763	Resonance Chamber
21	9E926	Throttle Body
22	M97B18-C	Engine Coolant
23	9B289	Idle Speed Control By-Pass Air Valve
24	9D280	Fuel Rail
25	9F593	Fuel Injector (4)
26	10884	Engine Coolant Temperature Sensor
27	6007	Engine
28	9F472	Exhaust Gas Oxygen Sensor
29	5E212	Catalytic Converter